



YOSHIMURA

RESEARCH&DEVELOPMENT OF AMERICA, INC.

5420 DANIELS STREET STE A, CHINO CA., 91786 · (800)634-9166 · (909)628-4722 · FACSIMILE (909)591-2198

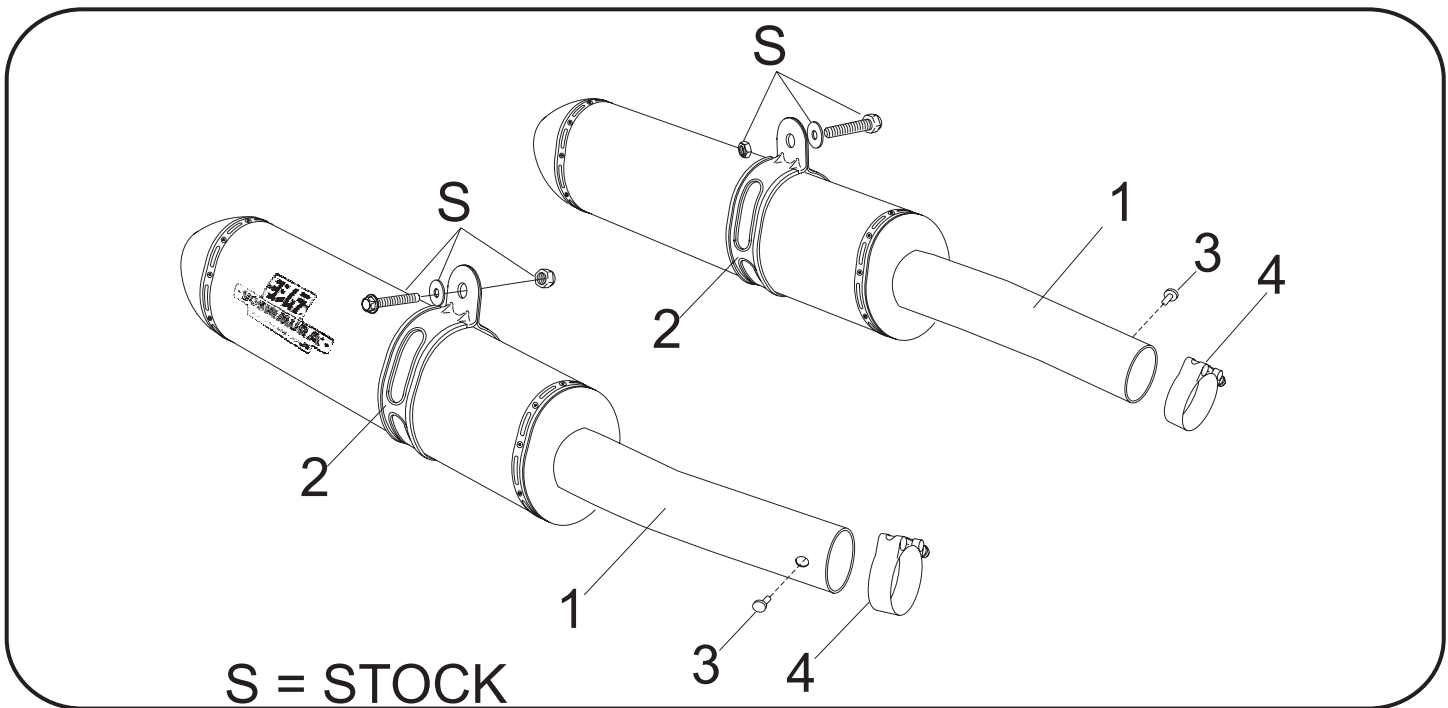
www.yoshimura-rd.com

RS-3 OVAL PERFORMANCE EXHAUST SYSTEM

**HONDA
'97-02**

CB133SOC-Ti RS-3C Slip-on Exhaust System

CBR1100XX



Parts Diagram

NO.	DESCRIPTION	QTY	PART #
1	Oval Muffer Assembly (Left & Right Sides)	1	**
2	Stainless Steel Muffer Clamp Stainless Steel or Titanium Sleeve uses Carbon Fiber Sleeve uses	2	COS450S8ASX COS450S8AS
3	Retaining Rivet	2	S-RIVET
4	Stainless Steel Collector Clamp	2	200-62
**	Muffer Clamp Heat Insulator	2	HT SHLDTRS
**	Instructions	1	INST KIT
**	Yoshimura Sticker	1	17029



THIS PRODUCT IS DESIGNED FOR USE IN CLOSED COURSE RACING AND IS NOT INTENDED FOR HIGHWAY USE.



NOTE: IN THE STATE OF CALIFORNIA, IT IS ILLEGAL TO MODIFY THE EMISSION CONTROL SYSTEM, WHICH INCLUDES THE CARBURETORS OF ANY VEHICLE.

Caution: Exhaust system can be extremely hot. Let motorcycle cool down before beginning installation.

Note: Read through all instructions before beginning installation.

Tools Needed:

12mm socket
Ratchet wrench
12mm and 14mm wrenches
Torque wrench

5 Check for proper clearance between new mufflers and motorcycle. (i.e. swing-arm, passenger foot-peg, rear wheel, etc.) If any problem is found, please carefully follow through the installation steps again. If problem still persists, please call Yoshimura tech. Dept. at (800)634-9166 / in CA (909)628-4722

Installation Steps:

- 1 Remove stock mufflers and tailpipe gaskets - the stock gaskets sometimes stick to the stock header and must be removed.
- 2 Slip supplied collector clamps over Yoshimura tailpipes and install mufflers with tailpipes onto stock header.
- 3 Apply muffler clamp heat insulators to inside of muffler clamps and slide clamps onto mufflers. (note direction of clamp in Fig. 1)
- 4 Mount clamps to outside of stock muffler brackets using stock bolts, washers, and nuts. Torque bolts to 2.5 kg-m (18 lb-ft).

Note: After starting motorcycle, it is normal for new exhaust system and mufflers to emit smoke until oil residue burns off

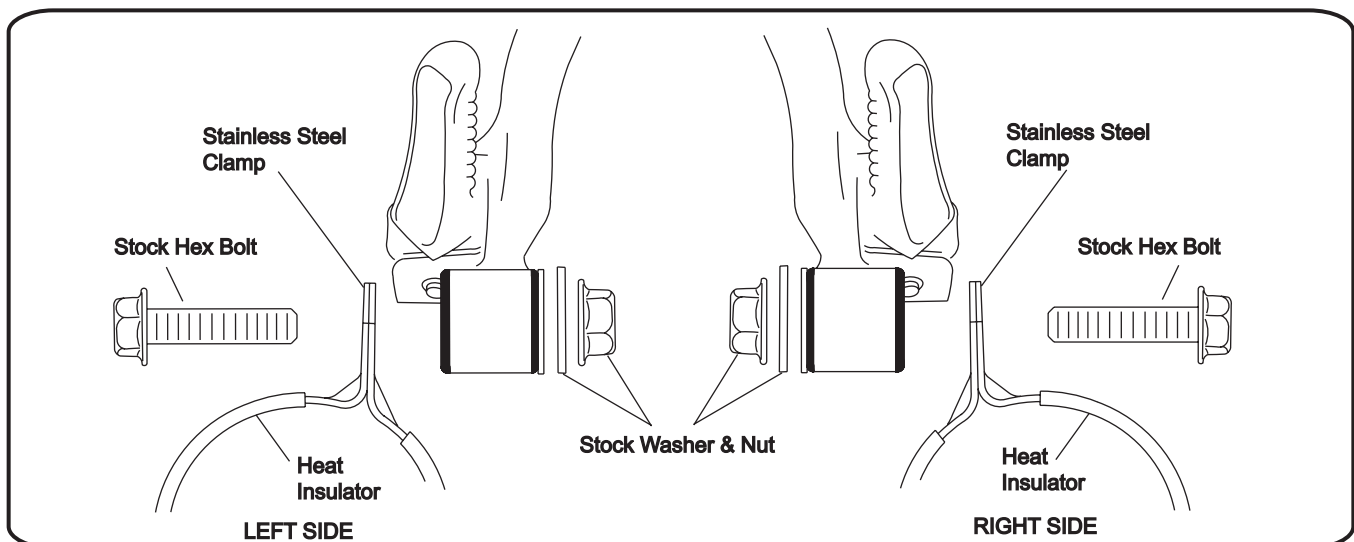


Fig. 1