



YOSHIMURA

RESEARCH&DEVELOPMENT OF AMERICA, INC.

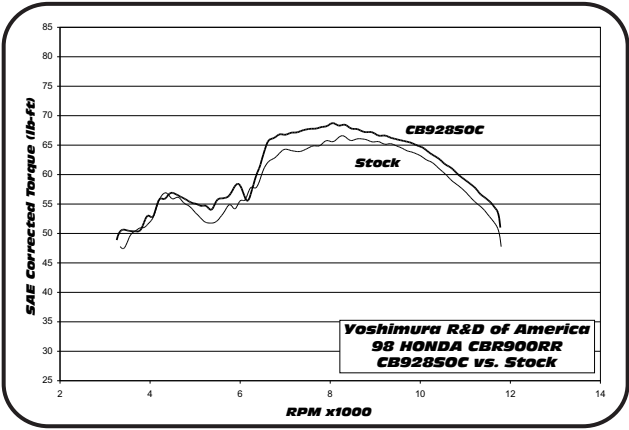
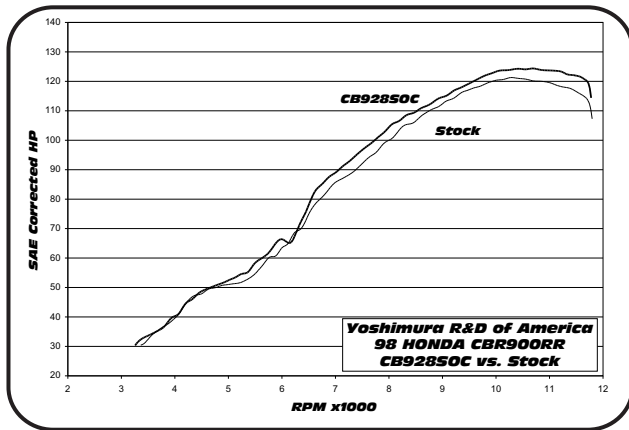
5420 DANIELS STREET STE A, CHINO CA. 91786 · (800)634-9166 · (909)628-4722 · FACSIMILE (909)591-2198

www.yoshimura-rd.com

RS-3 OVAL PERFORMANCE EXHAUST SYSTEM

HONDA
'96-99
CBR900RR

CB92850C	ZYCLONE BOLT-ON SYSTEM
CB92950	RACE ONLY BOLT-ON SYSTEM



Note: Dyno graphs are for comparison use only. Actual results may vary depending on operating and motorcycle condition.



THIS PRODUCT IS DESIGNED FOR USE IN CLOSED COURSE RACING AND IS NOT INTENDED FOR HIGHWAY USE.



NOTE: IN THE STATE OF CALIFORNIA, IT IS ILLEGAL TO MODIFY THE EMISSION CONTROL SYSTEM, WHICH INCLUDES THE CARBURETORS OF ANY VEHICLE.

Caution: Exhaust system can be extremely hot. Let motorcycle cool down before beginning installation.

Note: Read through all instructions before beginning installation.

Tools Needed:

12mm socket
3/8" ratchet and extension
12mm and 14mm wrenches
Torque wrench

Installation Steps:

- 1 Remove stock muffler and gasket.
- 2 Install new muffler gasket.
(Not supplied-Honda part no. 18291-MV400)
- 3 Install Yoshimura muffler using supplied bolts.
Torque bolts to 2.3 kg-m (16.5 lb-ft)
- 4 Apply heat insulator to inside of muffler clamp and slide clamp onto muffler. (note direction of clamp in Fig. 1)
- 5 Mount clamp to stock muffler bracket using stock bolt, washer, and nut. (see Fig. 1)
Torque bolt to 2.5 kg-m (18 lb-ft)
- 6 Before starting, check for proper clearance between new muffler and motorcycle. (i.e. swing-arm, passenger foot-peg, rear wheel, etc.) If any problem is found, please carefully follow through the installation steps again. If problem still persists, please call Yoshimura tech. Dept. at (800)634-9166 / in CA (909)628-4722

Note: After starting motorcycle, it is normal for new muffler to smoke until oil residue burns off.

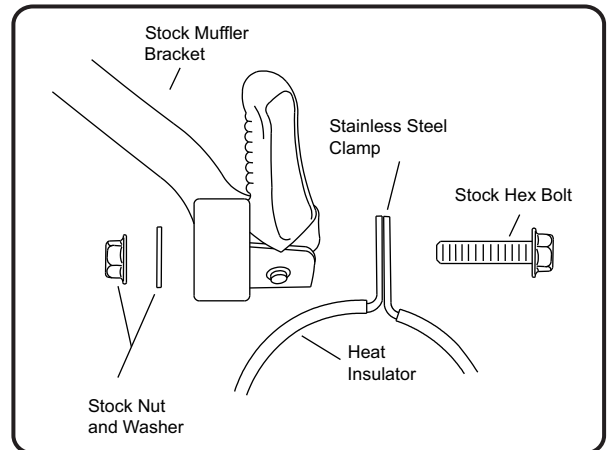
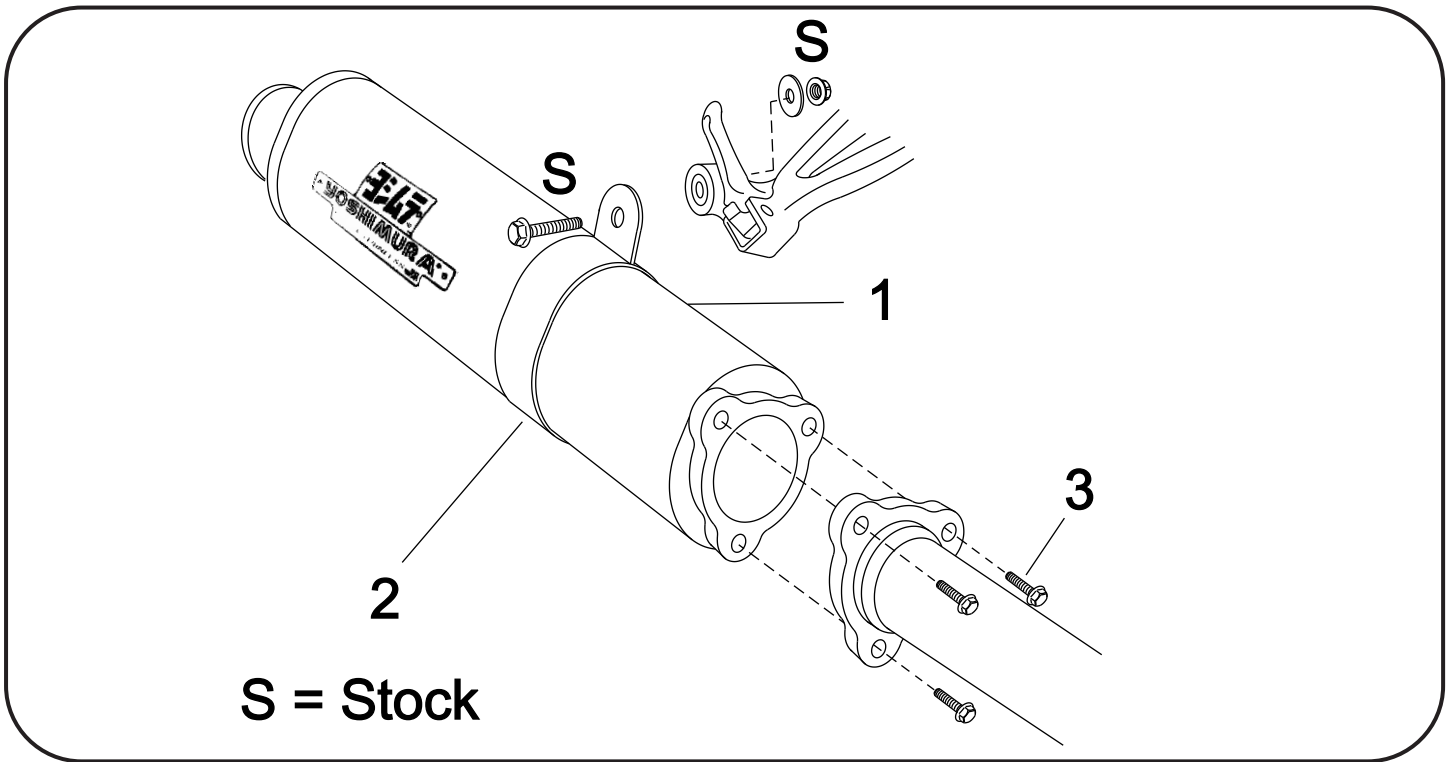


Fig. 1

#CB928SOC/CB92950

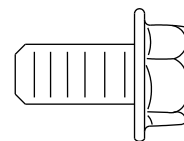


S = Stock

Parts Diagram

NO.	DESCRIPTION	QTY	PART #
1	RS-3 Oval Muffler Assembly	1	**
2	Stainless Steel Muffler Clamp Stainless Steel and Titanium Sleeve uses Carbon Fiber Sleeve uses	1	COS450S8ASX COS450S8AS
3	8mm x 16mm Flange Hex Bolt	3	M8X16H
**	Muffler Clamp Heat Insulator	1	HT SHLDTRS
**	Yoshimura Vinyl Sticker	1	17029

Nuts and Bolts Guide (Actual Size):



8mm x 16mm
Flange Hex Bolt