



YOSHIMURA

RESEARCH&DEVELOPMENT OF AMERICA, INC.

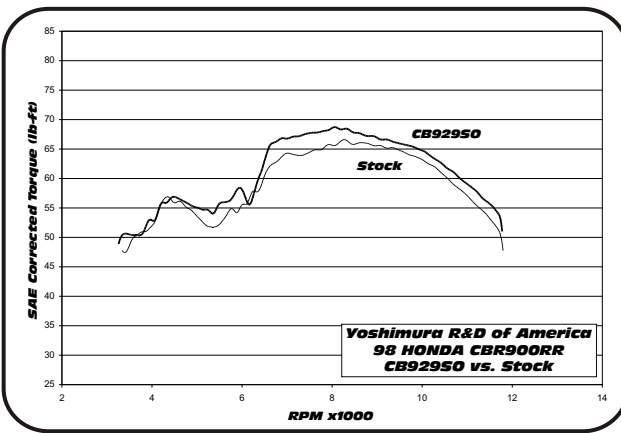
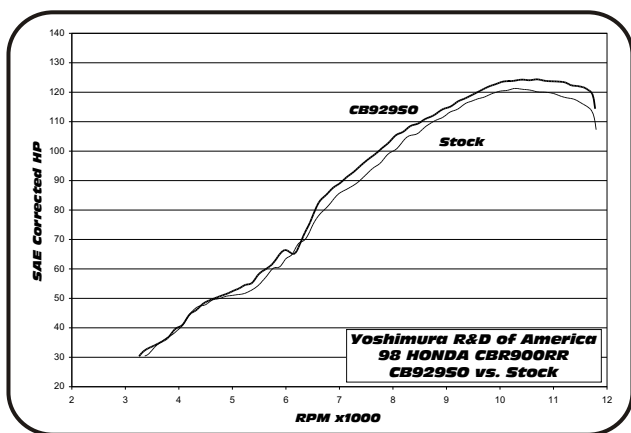
4555 CARTER COURT, CHINO CALIF. 91710 · (800)634-9166 · (909)628-4722 · FACSIMILE (909)591-2198

www.yoshimura-rd.com

RS-3 OVAL PERFORMANCE EXHAUST SYSTEM

HONDA
'96-99
CBR900RR

CB92950S RACE ONLY SLIP-ON HIGH PIPE SYSTEM



Note: Dyno graphs are for comparison use only. Actual results may vary depending on operating and motorcycle condition.



 **THIS PRODUCT IS DESIGNED FOR USE IN CLOSED COURSE RACING AND IS NOT INTENDED FOR HIGHWAY USE.** 

NOTE: IN THE STATE OF CALIFORNIA, IT IS ILLEGAL TO MODIFY THE EMISSION CONTROL SYSTEM, WHICH INCLUDES THE CARBURETORS OF ANY VEHICLE.

Caution: Exhaust system can be extremely hot. Let motorcycle cool down before beginning installation.

Note: Read through all instructions before beginning installation.

Tools Needed:

- 12mm socket
- 3/8" ratchet and extension
- 12mm and 14mm wrench
- 4mm and 5mm Allen wrench
- Torque wrench

Installation Steps:

- 1 Remove stock muffler and gasket.
- 2 Open rear seat compartment, remove rider seat, unbolt rear cowling then lift up rear cowling slightly. (Fig.1)
- 3 Remove stock muffler bracket and install Yoshimura aluminum muffler bracket with supplied bolts. Torque bolts to 2.5 kg-m (18 lb-ft).
- 4 Install new muffler gasket. (Not supplied - Honda part no. 18292-MV400)
- 5 Install Yoshimura muffler using supplied bolts. Torque bolts to 2.3 kg-m (16.5 lb-ft).
- 6 Apply heat resistant tape to inside of muffler clamp and slide clamp onto muffler. (note direction of clamp in Fig. 2)
- 7 Mount clamp to stock muffler bracket using supplied bolt, washer, and nut. (see Fig. 2) Torque bolt to 2.5 kg-m (18 lb-ft)
- 8 Check for proper clearance between new muffler and motorcycle. (i.e. swing-arm, passenger foot-peg, rear wheel, etc.) If any problem is found, please carefully follow through the installation steps again. If problem still persists, please call Yoshimura tech. Dept. at (800)634-9166.

Note: After starting motorcycle, it is normal for new muffler to smoke until oil residue burns off.



Fig. 1

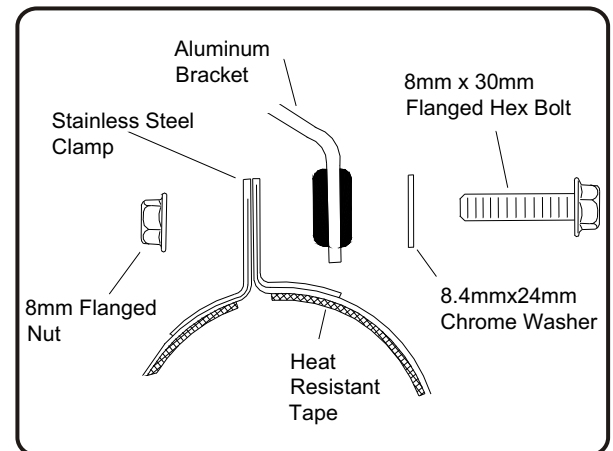
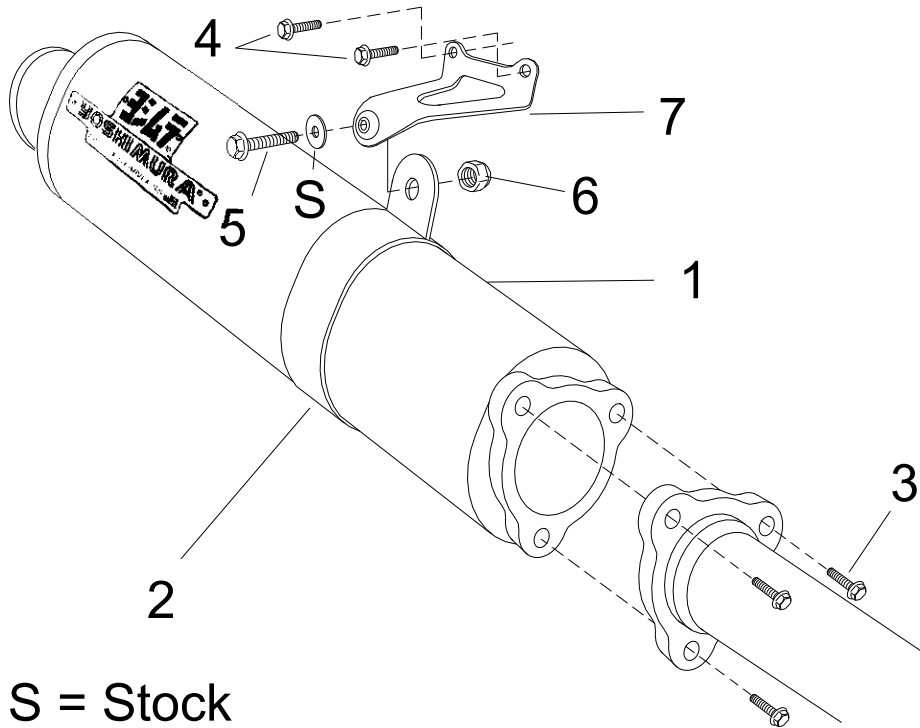


Fig. 2

#CB929505



S = Stock

Parts Diagram

NO.	DESCRIPTION	QTY	PART #
1	RS-3 Oval Muffler Assembly	1	**
2	Stainless Steel Muffler Clamp	1	CO450S8AS
3	8mm x 16mm Flange Hex Bolt	3	M8X16H
4	8mm x 20mm Flange Hex Bolt	2	M8X20H
5	8mm x 30mm Flange Hex Bolt	1	M8X30H
6	8mm Flange Nut	1	8MMNUT
7	Aluminum Muffler Bracket	1	CB926AB
**	4.5 Heat Resistant Tape	1	HT SHLD4.5
**	Yoshimura Vinyl Sticker	2	17028

Nuts and Bolts Guide (Actual Size):

