



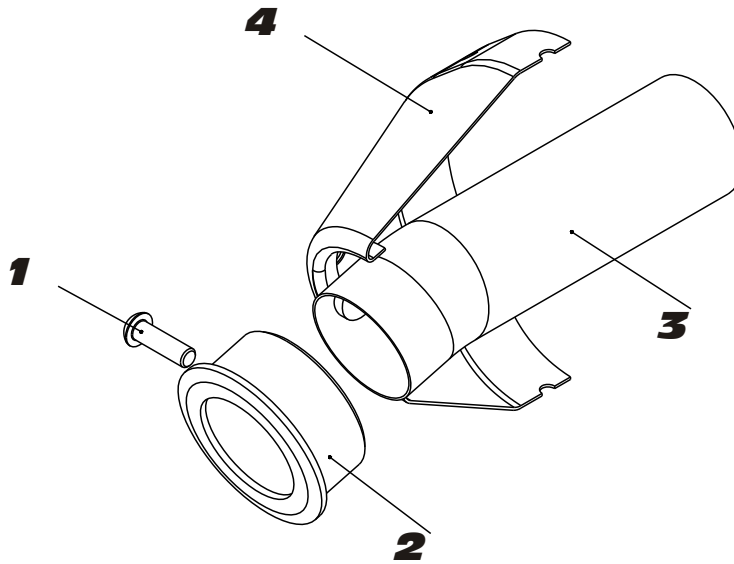
YOSHIMURA

RESEARCH & DEVELOPMENT OF AMERICA, INC.

5420 DANIELS STREET SUITE A, CHINO, CA 91710 · (800)634-9166 · (909)628-4722 · FACSIMILE (909)591-2198

www.yoshimura-rd.com

Low Volume Insert Removal/Installation



Parts Diagram

Tools Needed:

4mm Allen Key
Wire Brush
Pair of Gloves
Safety Glasses

| NO. | DESCRIPTION | QTY |
|-----|-------------------------|-----|
| 1 | Insert Securing Bolt | 1 |
| 2 | Insert Ring | 1 |
| 3 | Low Volume Sound Insert | 1 |
| 4 | Yoshimura Exhaust | 1 |

Caution: Muffler can be extremely hot. Let muffler cool down before removing low volume insert.

Note: Read through all instructions before beginning disassembly.

Instructions:

CAUTION: Gloves and safety glasses should be worn while cleaning spark arrester.

- 1 Remove the bolt that secures the aluminum ring and sound insert and continue to remove the insert out of the muffler.
- 2 Install sound insert and insert ring as shown in the parts diagram.
- 4 Secure insert to muffler using the provided bolt.

NOTE: It is recommended that a low strength "Loc-tite" is used on the small allen head bolt.