



YOSHIMURA

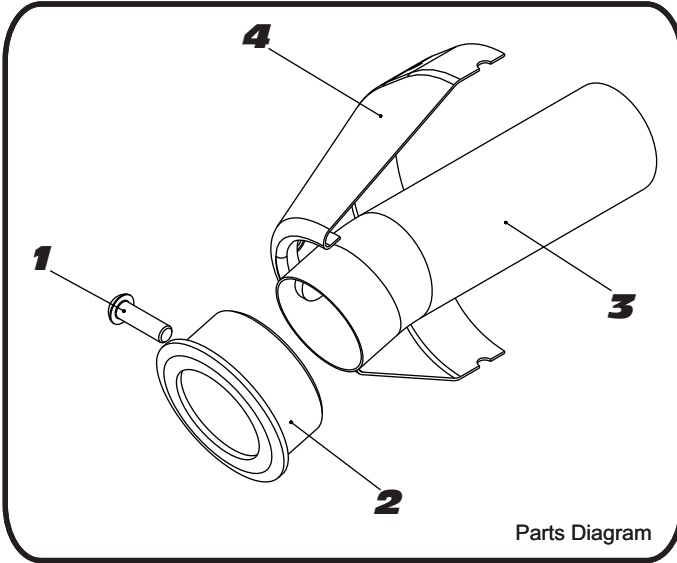
RESEARCH&DEVELOPMENT OF AMERICA, INC.

5420 DANIELS STREET SUITE A, CHINO, CA 91710 · (800)634-9166 · (909)628-4722 · FACSIMILE (909)591-2198

www.yoshimura-rd.com

INS-12-K

YOSHIMURA RS2 LOW VOLUME INSERT KIT



Parts Diagram

NO.	DESCRIPTION	QTY	PART #
1	6mm X 22mm Button Head Cap Screw	1	M6X22BHS
2	RS2 Ring 1.250"	1	DS4-RING-1250
3	RS2 94 dBA Insert	1	INS-T
4	Yoshimura Exhaust	**	**
**	6mm Tooth Lock Washer	1	6MMLCKWSHR-TH

1. Remove small allen head bolt.
2. Remove current insert and ring.
3. Insert the Yoshimura insert into the end of the muffler and secure using the small allen head bolt and 6mm lock washer.

NOTE: It is recommended that a low strength "Loc-tite" is used on the small allen head bolt.



YOSHIMURA

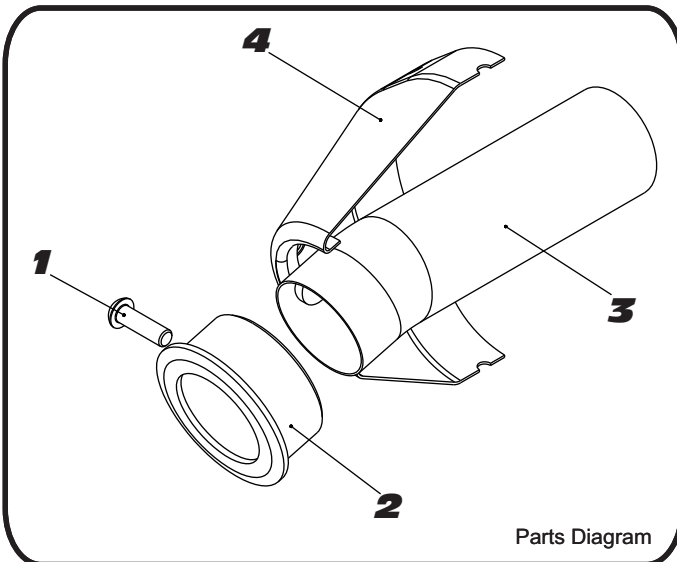
RESEARCH&DEVELOPMENT OF AMERICA, INC.

5420 DANIELS STREET SUITE A, CHINO, CA 91710 · (800)634-9166 · (909)628-4722 · FACSIMILE (909)591-2198

www.yoshimura-rd.com

INS-12-K

YOSHIMURA RS2 LOW VOLUME INSERT KIT



Parts Diagram

NO.	DESCRIPTION	QTY	PART #
1	6mm X 22mm Button Head Cap Screw	1	M6X22BHS
2	RS2 Ring 1.250"	1	DS4-RING-1250
3	RS2 94 dBA Insert	1	INS-T
4	Yoshimura Exhaust	**	**
**	6mm Tooth Lock Washer	1	6MMLCKWSHR-TH

1. Remove small allen head bolt.
2. Remove current insert and ring.
3. Insert the Yoshimura insert into the end of the muffler and secure using the small allen head bolt and 6mm lock washer.

NOTE: It is recommended that a low strength "Loc-tite" is used on the small allen head bolt.