



YOSHIMURA

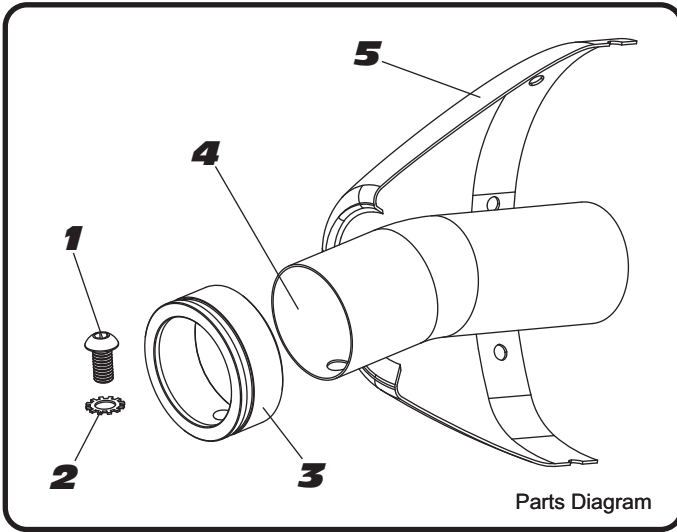
RESEARCH&DEVELOPMENT OF AMERICA, INC.

5420 DANIELS STREET SUITE A, CHINO, CA 91710 · (800) 634-9166 · (909) 628-4722 · FAX (909) 591-2198

www.yoshimura-rd.com

INS-21-K

YOSHIMURA RS4 LOW VOLUME INSERT KIT



NO.	DESCRIPTION	QTY	PART #
1	6mm X 12mm Button Head Cap Screw	1	M6X12BHS
2	6mm Lock Washer	1	6MMLCKWSHR-TH
3	RS4 Aluminum Insert Ring	1	RS4-RING-1500
4	Low Volume Sound Insert	1	INS-U-2
5	Yoshimura Exhaust	**	**

1. Remove small allen head bolt.
2. Remove current insert and ring.
3. Insert the Yoshimura insert into the end of the muffler and secure using the small allen head bolt and 6mm lock washer.

NOTE: It is recommended that a low strength "Loc-tite" is used on the small allen head bolt.



YOSHIMURA

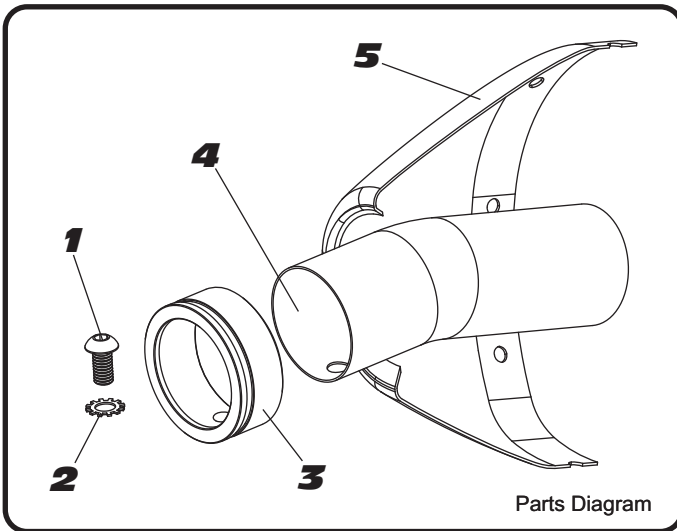
RESEARCH&DEVELOPMENT OF AMERICA, INC.

5420 DANIELS STREET SUITE A, CHINO, CA 91710 · (800) 634-9166 · (909) 628-4722 · FAX (909) 591-2198

www.yoshimura-rd.com

INS-21-K

YOSHIMURA RS4 LOW VOLUME INSERT KIT



NO.	DESCRIPTION	QTY	PART #
1	6mm X 12mm Button Head Cap Screw	1	M6X12BHS
2	6mm Lock Washer	1	6MMLCKWSHR-TH
3	RS4 Aluminum Insert Ring	1	RS4-RING-1500
4	Low Volume Sound Insert	1	INS-U-2
5	Yoshimura Exhaust	**	**

1. Remove small allen head bolt.
2. Remove current insert and ring.
3. Insert the Yoshimura insert into the end of the muffler and secure using the small allen head bolt and 6mm lock washer.

NOTE: It is recommended that a low strength "Loc-tite" is used on the small allen head bolt.