



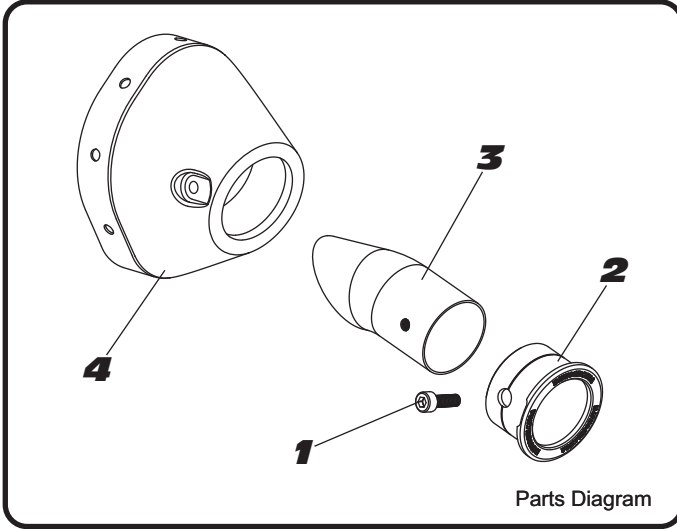
# YOSHIMURA

RESEARCH&DEVELOPMENT OF AMERICA, INC.

5420 DANIELS STREET SUITE A, CHINO, CA 91710 · (800) 634-9166 · (909) 628-4722 · FAX (909) 591-2198

[www.yoshimura-rd.com](http://www.yoshimura-rd.com)

## INS-25-K | YOSHIMURA RS-2 MINI LOW VOLUME INSERT KIT



NO.	DESCRIPTION	QTY	PART #
1	5mm X 16mm Socket Head Cap Screw	1	M5X16
2	RS-2 Aluminum Insert Ring	1	MDS4-RING-1550
3	Low Volume Sound Insert	1	INS-MDS4-1
4	Yoshimura Exhaust	**	**

1. Remove small allen head bolt.
2. Remove current insert and ring.
3. Insert the Yoshimura insert into the end of the muffler and secure using the small allen head bolt.

NOTE: It is recommended that a low strength "Loc-tite" is used on the small allen head bolt.



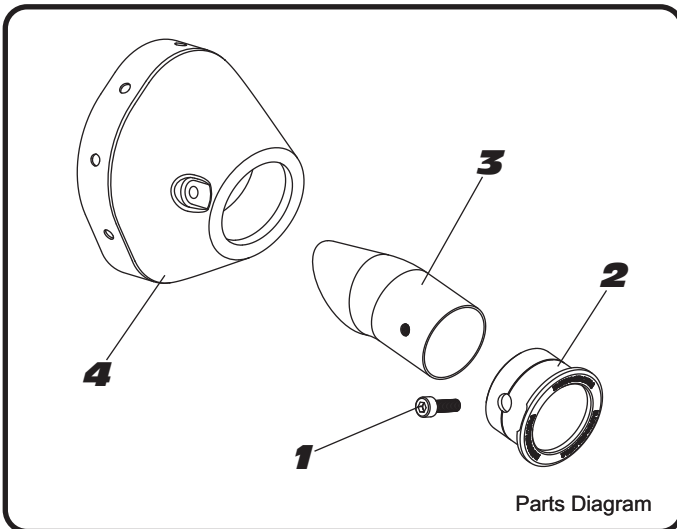
# YOSHIMURA

RESEARCH&DEVELOPMENT OF AMERICA, INC.

5420 DANIELS STREET SUITE A, CHINO, CA 91710 · (800) 634-9166 · (909) 628-4722 · FAX (909) 591-2198

[www.yoshimura-rd.com](http://www.yoshimura-rd.com)

## INS-25-K | YOSHIMURA RS-2 MINI LOW VOLUME INSERT KIT



NO.	DESCRIPTION	QTY	PART #
1	5mm X 16mm Socket Head Cap Screw	1	M5X16
2	RS-2 Aluminum Insert Ring	1	MDS4-RING-1550
3	Low Volume Sound Insert	1	INS-MDS4-1
4	Yoshimura Exhaust	**	**

1. Remove small allen head bolt.
2. Remove current insert and ring.
3. Insert the Yoshimura insert into the end of the muffler and secure using the small allen head bolt.

NOTE: It is recommended that a low strength "Loc-tite" is used on the small allen head bolt.