



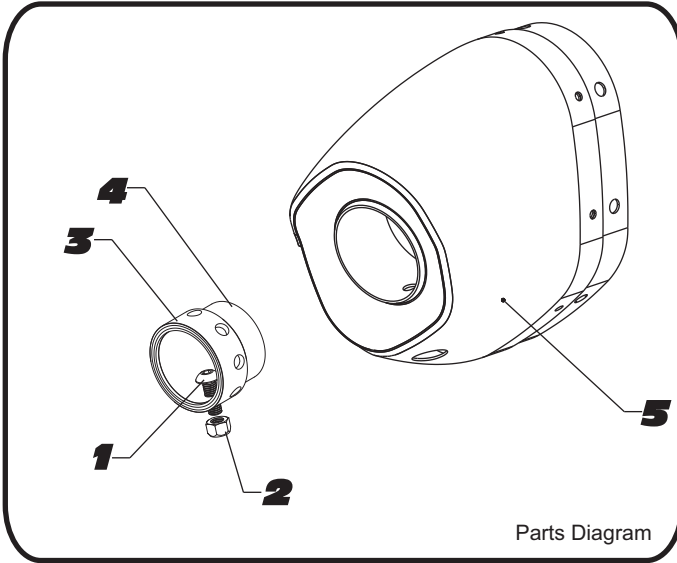
YOSHIMURA

RESEARCH&DEVELOPMENT OF AMERICA, INC.

5420 DANIELS STREET SUITE A, CHINO, CA 91710 · (800) 634-9166 · (909) 628-4722 · FAX (909) 591-2198

www.yoshimura-rd.com

INS-RS9D-K YOSHIMURA RS9 SOUND INSERT KIT



NO.	DESCRIPTION	QTY	PART #
1	5mm X 14mm Button Head Cap Screw	1	M5X14BHS
2	5mm Lock Nut	1	5MMLN-U
3	RS9 Insert Ring 1.250"	1	RS9-RING-1250
4	RS9 Low Volume Insert 1.250"	1	INS-RS9-D
5	Yoshimura Exhaust	**	**

- Using a 3mm Allen key, remove the bolt that secures the aluminum ring and sound insert to the muffler (see Parts Diagram for location).
- Install sound insert and aluminum ring. Torque the sound insert securing bolt to 1.0 kg-m (7.3 lb-ft).

NOTE: It is recommended that a low strength "Loc-tite" is used on the sound insert securing bolt.



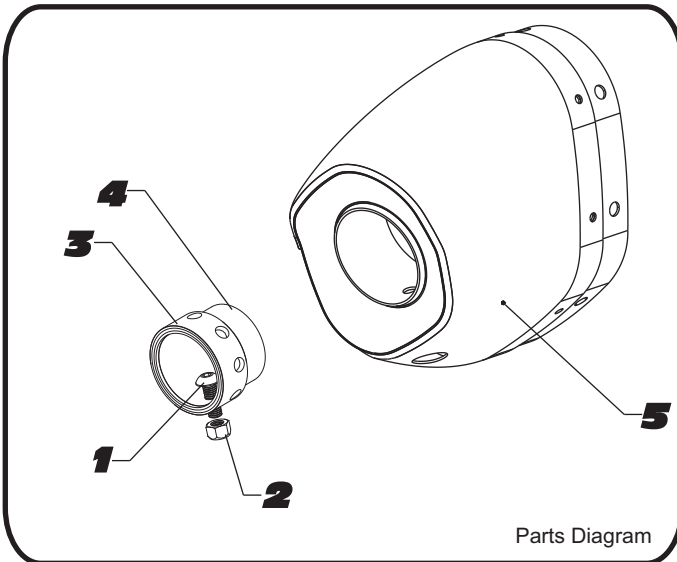
YOSHIMURA

RESEARCH&DEVELOPMENT OF AMERICA, INC.

5420 DANIELS STREET SUITE A, CHINO, CA 91710 · (800) 634-9166 · (909) 628-4722 · FAX (909) 591-2198

www.yoshimura-rd.com

INS-RS9D-K YOSHIMURA RS9 SOUND INSERT KIT



NO.	DESCRIPTION	QTY	PART #
1	5mm X 14mm Button Head Cap Screw	1	M5X14BHS
2	5mm Lock Nut	1	5MMLN-U
3	RS9 Insert Ring 1.250"	1	RS9-RING-1250
4	RS9 Low Volume Insert 1.250"	1	INS-RS9-D
5	Yoshimura Exhaust	**	**

- Using a 3mm Allen key, remove the bolt that secures the aluminum ring and sound insert to the muffler (see Parts Diagram for location).
- Install sound insert and aluminum ring. Torque the sound insert securing bolt to 1.0 kg-m (7.3 lb-ft).

NOTE: It is recommended that a low strength "Loc-tite" is used on the sound insert securing bolt.