



OFFENBACH

6900 ACCO STREET, MONTEBELLO, CA., 90640
TEL: (800) 788.0618 LOCAL: (323) 837.1497 FAX: (323) 721.7888

WWW.OFFENBACHUSA.COM

OFFENBACH EXHAUST SYSTEM 2005-2006 BMW 1200GS

MP OB12GS S.O.



**THIS PRODUCT IS DESIGNED FOR USE IN CLOSED COURSE
RACING AND IS NOT INTENDED FOR HIGHWAY USE.**



NOTE: IN THE STATE OF CALIFORNIA, IT IS ILLEGAL TO MODIFY THE EMISSION CONTROL SYSTEM, WHICH INCLUDES THE FUEL INJECTION OF ANY VEHICLE.

Caution: Exhaust system can be very hot. To avoid injury, allow motorcycle to cool completely before proceeding with installation.

Note: Read through all instructions before beginning installation. If you are unfamiliar or uncertain with any of the described procedures, please consult an authorized repair facility for installation. Always consult the factory repair manual for vehicle specific information.

Tools Needed:

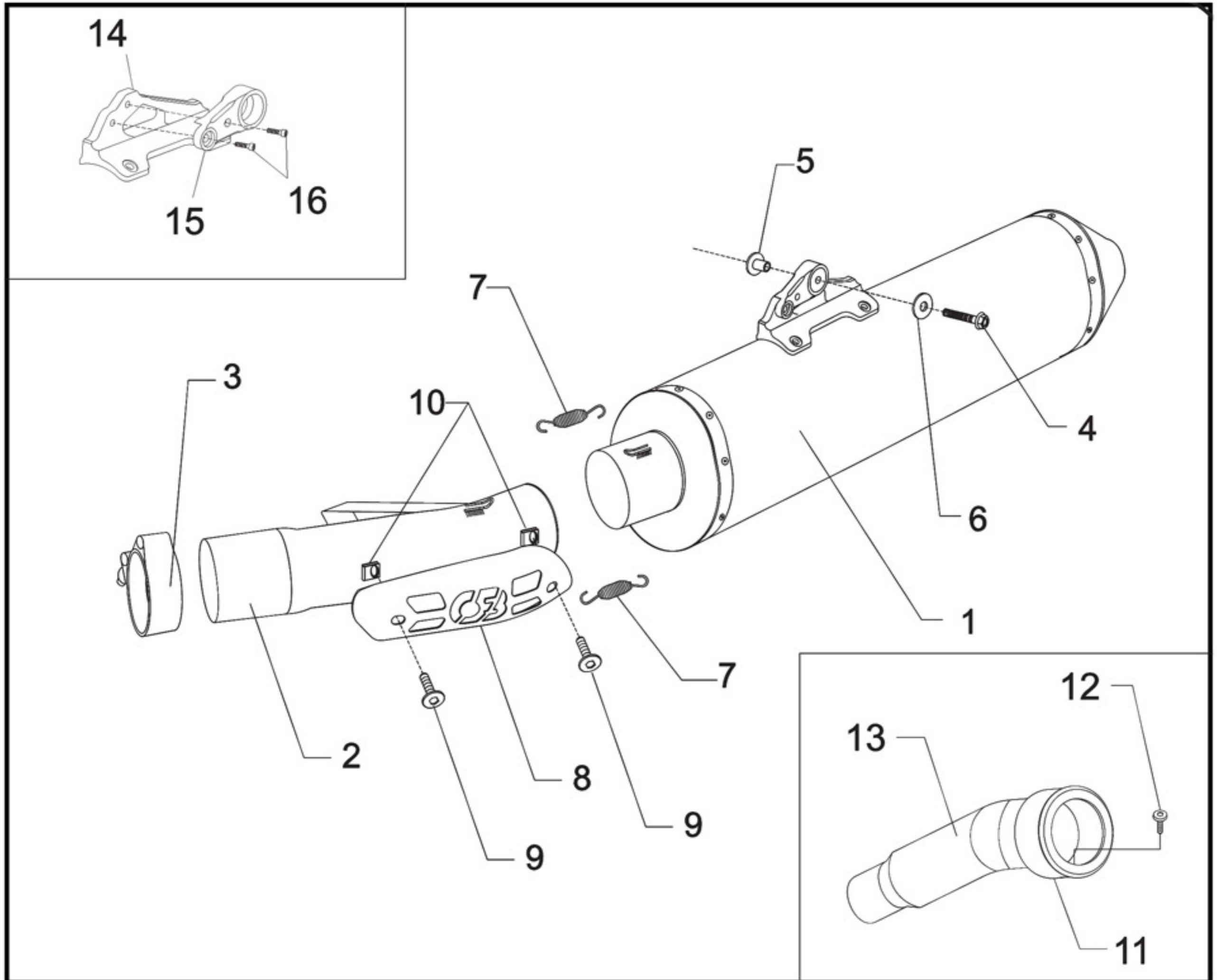
- 11mm & 15mm socket
- 3/8" ratchet and extension
- T45 TORX socket driver
- Torque wrench

Installation Steps: (Refer to Part List on Page 3)

- 1) Remove left saddlebag if equipped.
- 2) Remove stock muffler:
 - Slacken lower clamp (**Fig. 1**)
 - Hold muffler, and remove bolt at canister bracket to rear frame (**Fig. 2**)
 - Pull muffler toward rear of motorcycle and remove
- 3) Install new Offenbach muffler:
 - Install muffler bracket top piece (15) to muffler bracket (14) with 2 low profile bracket bolts (16). Torque to 11 Nm or 8ft.lbs. See top inset on Page 3.
 - Push muffler as far as it will go onto collector pipe.
 - Pull back slightly (5-10mm)
 - Install bolt at canister bracket to rear frame (**Fig. 3**)
 - Tighten bolt to 21 Nm or 16ft.lbs
 - Tighten lower clamp to 18 Nm or 13ft.lbs
- 4) Install left saddlebag and check for proper clearance.

Note: After starting the motorcycle, it is normal for new exhaust components to smoke until oil residue from the manufacturing process burns away.





NO.	DESCRIPTION	QTY	PART#
1	Offenbach Stainless Steel Muffler	1	1510255-LMA
2	Stainless Steel Tailpipe	1	1510-435
3	Stainless Steel Muffler Clamp	1	20063
4	Stock Bolt	1	***
5	Aluminum Spacer	1	ALS-001
6	8mm Washer	1	8MMWASHER
7	Short Springs	2	RACE-SPS
8	Heel Guard	1	1510-HS
9	Heel Guard Bolt	2	RC116HSB
10	6mm U-Nut	2	M6x1U
11	Silent Insert Ring	1	TRC-RING-BMW
12	Silent Insert Bolt	1	M6x12BHS
13	Silent Insert Tube	1	INS-TUBE-B
14	Muffler Bracket Base	1	ALB-R1200GS-B
15	Muffler Bracket Top	1	ALB-R1200GS-T
16	Low Profile Bracket Bolt	2	M6 x 16L