



YOSHIMURA

RESEARCH & DEVELOPMENT OF AMERICA, INC.

5420 DANIELS STREET STE A, CHINO CALIF. 91710 · (800)634-9166 · (909)628-4722 · FACSIMILE (909)591-2198

www.yoshimura-rd.com

R-K2002

09-11 SUZUKI GSXR 1000 Fender Eliminator Kit

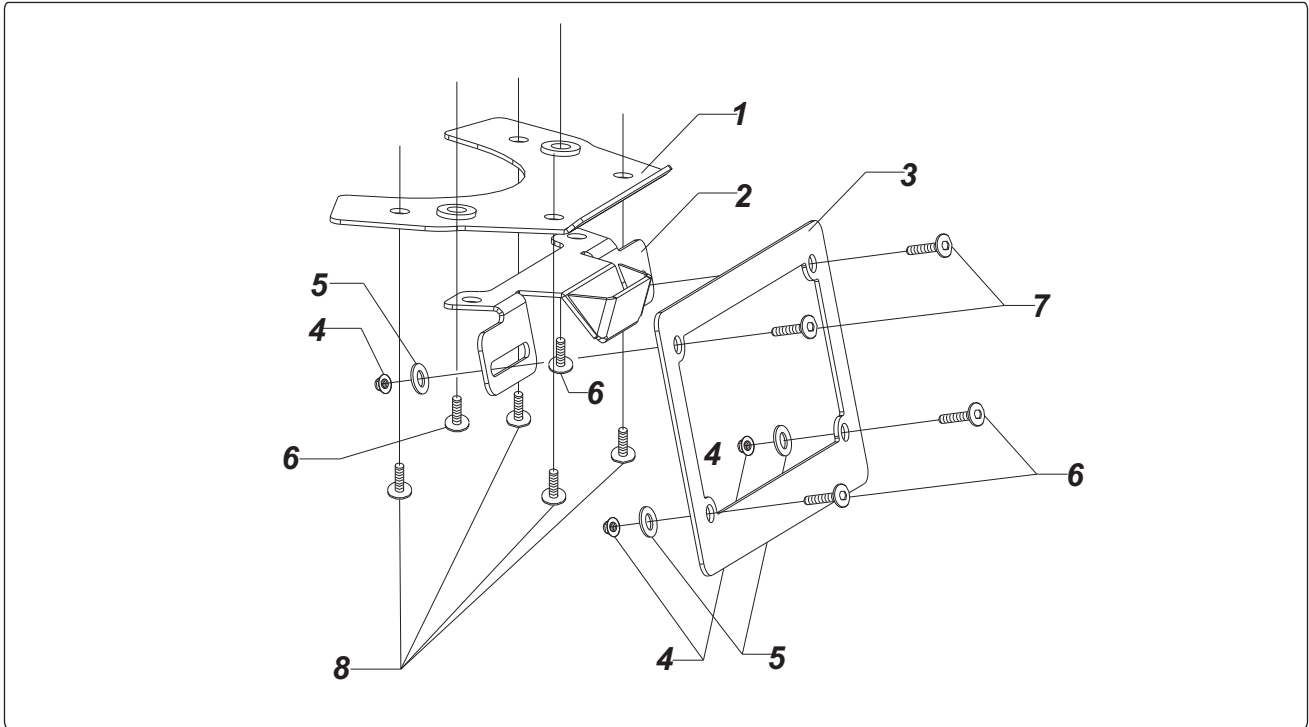


NOTE:

Yoshimura R&D is not liable or responsible for any resulting event caused by installation of this product. Check with local laws and regulations for compliance prior to installation and use. This product is designed and specified for off-road applications only and is not intended for use on public high-ways.

Installation Instructions:

1. Remove left side cowling from the tail section. Disconnect license plate light connector.
2. Remove stock fender by removing 4 bolts.
3. Cut the stock license plate light connector from stock fender. BE SURE TO CUT AT LEAST A 6" SECTION OF WIRE FROM THE CONNECTOR. Using the connectors in the kit, connect the Yoshimura Fender Eliminator wires to the stock license plate light connector as follows: Red wire goes to white wire; Black wire goes to black w/ white stripe.
4. Install Yoshimura Fender Eliminator kit as shown in parts diagram on page 2.
5. Route wiring through hole in bracket, then through tail section to stock location. Connect license plate light connector to stock harness.
6. Check for function of license plate light and that all brackets and pieces are secure prior to riding.



NO.	DESCRIPTION	QTY	PART #
1	Fender Eliminator Bracket	1	1118-FEB
2	License Plate Bracket	1	1118-LPB
3	License Plate Frame	1	1118-LPF
4	M6 Nylon Lock Nut	4	6MMLN
5	6MM Washer	4	6MMWASHER
6	6mm x 12mm Button Head Screw	4	M6X12BHS
7	6mm x 16mm Button Head Screw	2	M6X16BHS
8	6mm x 25mm Button Head Screw	4	M6X25BHS
2	Butt Connectors	2	94785-01-ND
***	Yoshimura Sticker Sheet	1	17029