



YOSHIMURA

RESEARCH&DEVELOPMENT OF AMERICA, INC.

5420 DANIELS STREET STE A, CHINO CALIF. 91710 · (800)634-9166 · (909)628-4722 · FACSIMILE (909)591-2198

www.yoshimura-rd.com

R-K2003

09 Yamaha YZF-R1 Fender Eliminator Kit

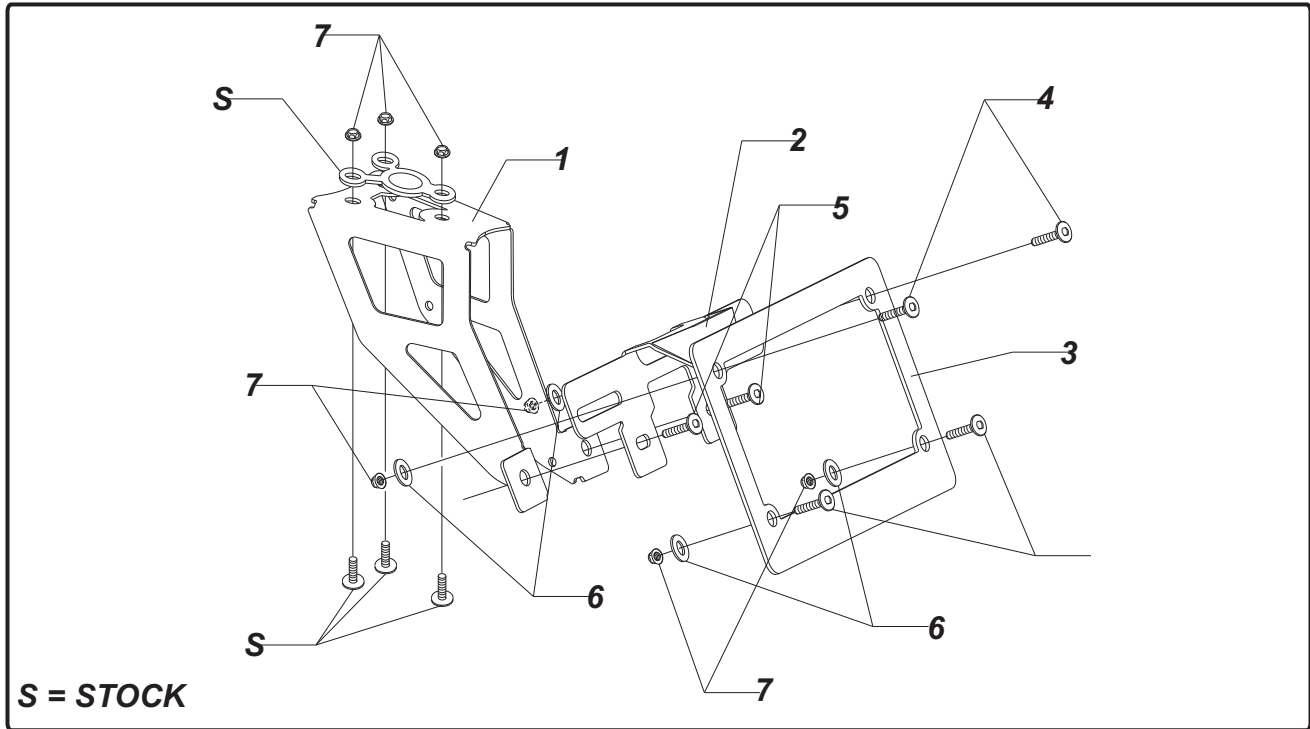


NOTE:

Yoshimura R&D is not liable or responsible for any resulting event caused by installation of this product. Check with local laws and regulations for compliance prior to installation and use. This product is designed and specified for off-road applications only and is not intended for use on public high-ways.

Installation Instructions:

1. Remove tail cowl or passenger seat. Disconnect license plate light connector.
2. Remove stock fender by removing 3 bolts.
3. Cut the stock license plate light connector from stock fender. BE SURE TO CUT AT LEAST A 6" SECTION OF WIRE FROM THE CONNECTOR. Using the connectors in the kit, connect the Yoshimura Fender Eliminator wires to the stock license plate light connector as follows: Red wire goes to white wire; Black wire goes to black w/ white stripe.
4. Install Yoshimura Fender Eliminator kit as shown in parts diagram on page 2. Note the order of components mounted to subframe; the stock washer plate fits between the supplied nylon lock nuts and the subframe.
5. Route wiring through hole in bracket, then through tail section to stock location. Connect license plate light connector to stock harness. Use cable ties to secure license plate light wire to fender eliminator bracket.
6. Check for function of license plate light and that all brackets and pieces are secure prior to riding.



NO.	DESCRIPTION	QTY	PART #
1	Fender Eliminator Bracket	1	1314-FEB
2	License Plate Bracket	1	1314-LPB
3	License Plate Frame	1	1118-LPF
4	6mm x 16mm Button Head Screw	2	M6X16BHS
5	6mm x 10mm Button Head Screw	4	M6X10BHS
6	6mm Flat Washer	4	6MMWASHERL
7	6mm Nylon Lock Nut	7	6MMLN
***	Butt Connectors	2	94785-01-ND
***	Small Cable Tie	3	ZT-400
***	Yoshimura Sticker Sheet	1	17029
***	Instructions Manual	1	INST KIT