



# YOSHIMURA

RESEARCH & DEVELOPMENT OF AMERICA, INC.

5420 DANIELS STREET STE A, CHINO CALIF. 91710 · (800)634-9166 · (909)628-4722 · FACSIMILE (909)591-2198

[www.yoshimura-rd.com](http://www.yoshimura-rd.com)

**R-K2008**

08-10 Honda CBR1000RR Fender Eliminator Kit



## **Caution:**

Yoshimura R&D is not liable or responsible for any resulting event caused by installation of this product. Check with local laws and regulations for compliance prior to installation and use. This product is designed and specified for off-road applications only and is not intended for use on public high-ways.

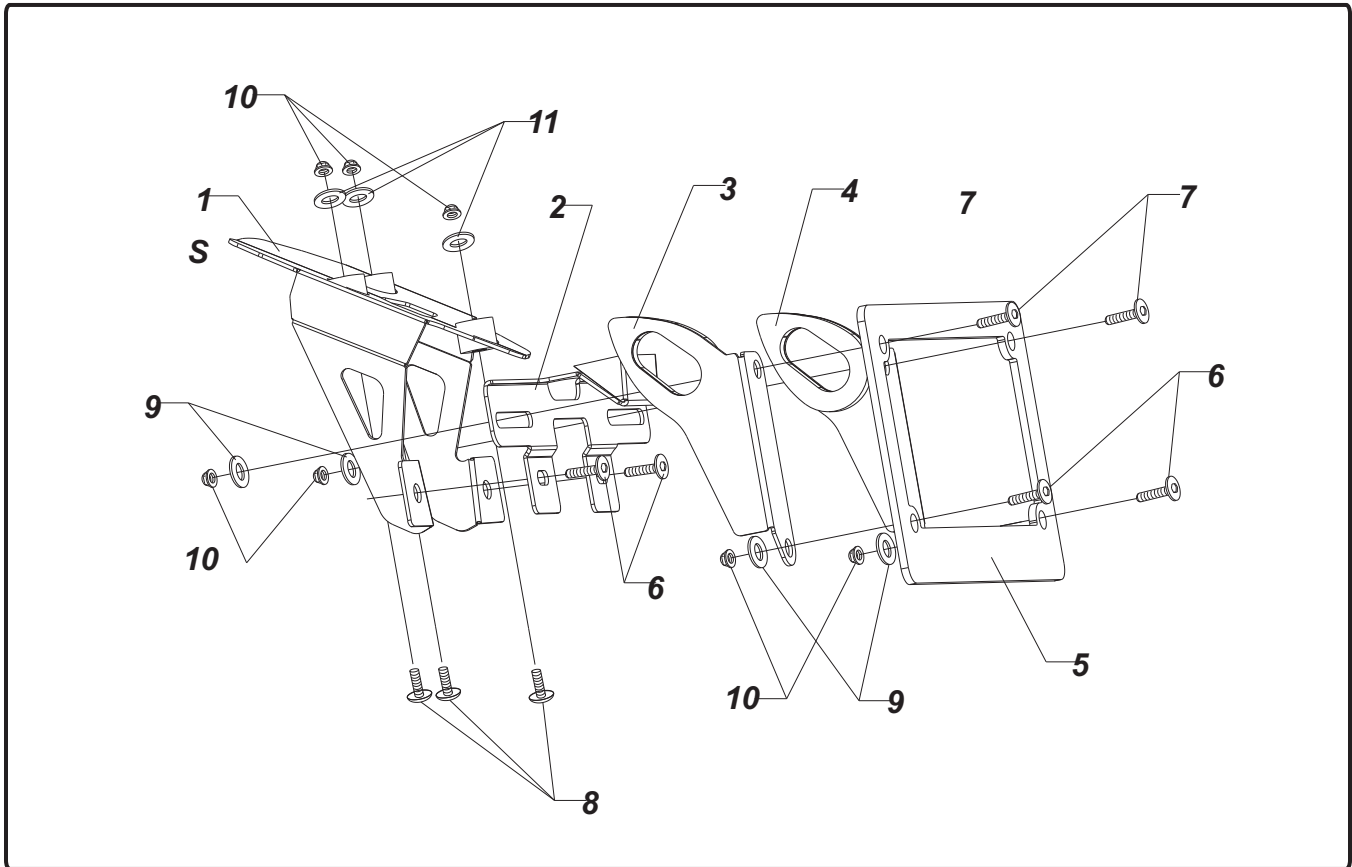
## **Installation Instructions:**

### **Note:**

This kit is designed to fit the 2010 Honda CBR1000RR with no modifications except as indicated below. For 2008 and 2009 model Honda CBR1000RR's, the following components will need to be purchased and installed as per OEM instructions:

<i>Part Number</i>	<i>Description</i>	<i>QTY</i>
80114-MFL-D20	COWL, RR. CENTER	1
90127-KF0-770	COLLAR (6X4)	3

1. Remove tail cowl or passenger seat. Disconnect license plate light connector.
2. Remove stock fender and turn signals by removing 3 bolts. Separate the turn signals from the stock fender by removing the screw and plate holding the turn signals to the fender assembly.
3. Cut the stock license plate light connector from stock fender. BE SURE TO CUT AT LEAST A 6" SECTION OF WIRE FROM THE CONNECTOR. Using the connectors in the kit, connect the Yoshimura Fender Eliminator wires to the stock license plate light connector as follows: Red wire goes to the brown wire w/ white stripe; Black wire goes to green wire.
4. Using supplied nuts and washers, install Yoshimura Fender Eliminator kit as shown in parts diagram on page 2. Install stock turn signals onto left and right turn signal, using the stock plate and screw.
5. Route wiring through hole in bracket, then through tail section to stock location. Connect license plate light connector and turn signal connectors to stock harness. Use cable ties to secure license plate light wires beneath seat.
6. Check for function of license plate light and that all brackets and pieces are secure prior to riding.



<b>NO.</b>	<b>DESCRIPTION</b>	<b>QTY</b>	<b>PART #</b>
1	Fender Eliminator Bracket	1	1202-FEB-00
2	License Plate Bracket	1	1314-LPB
3	Left Turn Signal Bracket	1	1202-TSBL-00
4	Right Turn Signal Bracket	1	1202-TSBR-00
5	License Plate Frame	1	1118-LPF
6	6mm x 12mm Button Head Screw	4	M6X12BHS
7	6mm x 16mm Button Head Screw	2	M6X16BHS
8	6mm x 30mm Button Head Screw	3	M6X30BHS
9	6mm Flat Washer	4	6MMWASHER
10	6mm Nylon Lock Nut	7	6MMLN
11	6mm Flat Washer, Large	3	6MMWASHERL
**	Butt Connectors	2	94785-01-ND
**	Cable Ties	3	ZT-400
**	Yoshimura Sticker Sheet	1	17029
**	Instructions Manual	1	INST KIT