



YOSHIMURA

RESEARCH&DEVELOPMENT OF AMERICA, INC.

5420 DANIELS STREET STE A, CHINO CALIF. 91786 · (800)634-9166 · (909)628-4722 · FACSIMILE (909)591-2198

www.yoshimura-rd.com

Footpeg Kit

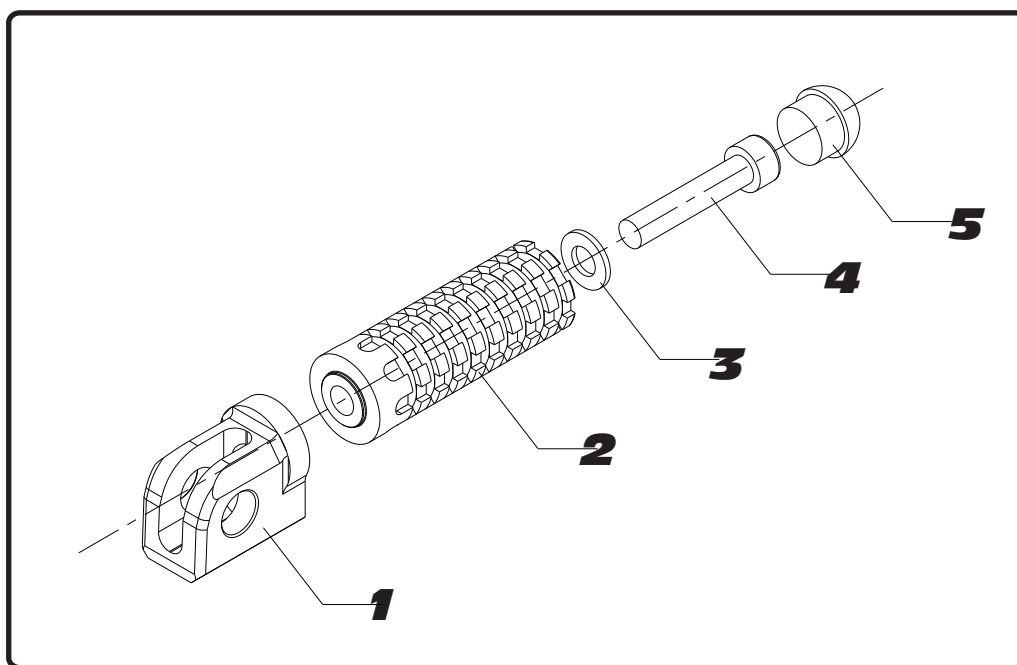
Kawasaki

2008-2012 Ninja 250R

2013-2014 Ninja 300

2011-2013 Ninja 1000

PN: R-K930PG-K



Parts Diagram

Parts List:

	DESCRIPTION	QTY	PART #
1	Footpeg holder	2	R-K930PGH-BG
2	Footpeg, Black	2	550BG1-PG
3	8mm Flat Washer	2	8MMWASHER
4	8mm X 40mm Socket Heat Bolt	2	M8X40
5	Delrin Bumper	2	R-K880DB
**	Yoshimura *USA* Sticker	2	17020C

Installation Steps:

1. Remove stock footpegs but removing c-clip holding footpeg pin in place. Use caution when removing footpeg as footpeg spring is loaded in the natural position.
2. Mount footpeg holder to stock footpeg bracket using stock pin, spring, and c-clip.
3. Apply supplied thread lock agent to bolt. Bolt footpeg to footpeg holder as shown in parts diagram. Torque bolt to 16.5 ft-lbs (23 N-m).
4. Prior to riding motorcycle, check to ensure that footpegs fold upwards after installation.