



YOSHIMURA

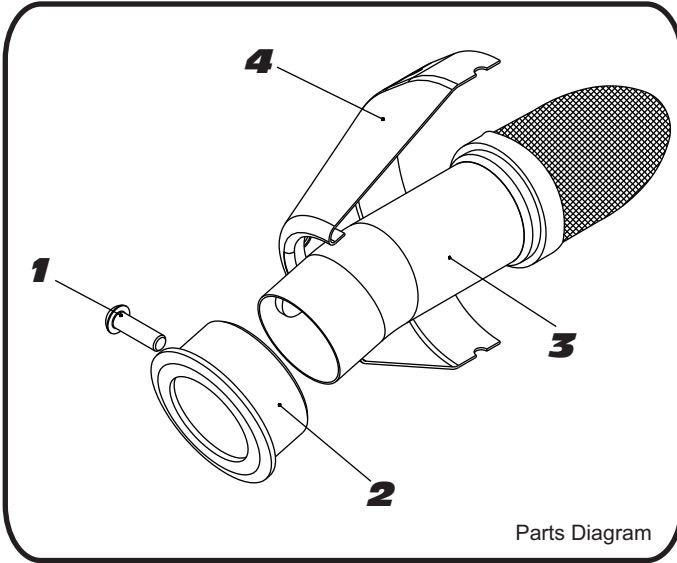
RESEARCH&DEVELOPMENT OF AMERICA, INC.

5420 DANIELS STREET SUITE A, CHINO, CA 91710 · (800)634-9166 · (909)628-4722 · FAX (909)591-2198

www.yoshimura-rd.com

SA-03-K

YOSHIMURA TEC-SD9 SPARK ARRESTOR KIT



Parts Diagram

NO.	DESCRIPTION	QTY	PART #
1	6mm X 20mm Button Head Cap Screw	1	M6X20BHS
2	RS2 Spark Arrester Ring 1.500"	1	DS4-RING-1500
3	TEC-SD9 Spark Arrester	1	TEC-SD9
4	Yoshimura Exhaust	**	**
**	6mm Tooth Lock Washer	1	6MMLCKWSHR-TH

- Using a 4mm Allen key, remove the bolt that secures the aluminum ring and spark arrester to the muffler (see Parts Diagram for location).
- Remove the spark arrester from the muffler.
- Using a wire brush, remove carbon deposits from spark arrester screen. Inspect the screen for excessive wear or damage. If spark arrester is excessively worn or damaged, the spark arrester must be replaced. Cleaning and inspection should be performed after every 60 hours of use.
CAUTION: Gloves and safety glasses should be worn while cleaning spark arrester.
- Re-install spark arrester and aluminum ring. Install the spark arrester securing bolt and 6mm lock washer and torque to 1.0 kg-m (7.3 lb-ft).
NOTE: It is recommended that a low strength "Loc-tite" is used on the spark arrester securing bolt.



YOSHIMURA

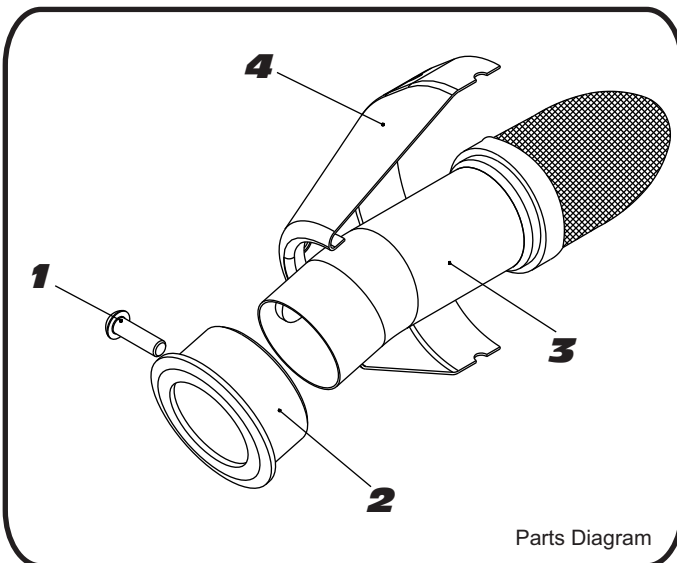
RESEARCH&DEVELOPMENT OF AMERICA, INC.

5420 DANIELS STREET SUITE A, CHINO, CA 91710 · (800)634-9166 · (909)628-4722 · FAX (909)591-2198

www.yoshimura-rd.com

SA-03-K

YOSHIMURA TEC-SD9 SPARK ARRESTOR KIT



Parts Diagram

NO.	DESCRIPTION	QTY	PART #
1	6mm X 20mm Button Head Cap Screw	1	M6X20BHS
2	RS2 Spark Arrester Ring 1.500"	1	DS4-RING-1500
3	TEC-SD9 Spark Arrester	1	TEC-SD9
4	Yoshimura Exhaust	**	**
**	6mm Tooth Lock Washer	1	6MMLCKWSHR-TH

- Using a 4mm Allen key, remove the bolt that secures the aluminum ring and spark arrester to the muffler (see Parts Diagram for location).
- Remove the spark arrester from the muffler.
- Using a wire brush, remove carbon deposits from spark arrester screen. Inspect the screen for excessive wear or damage. If spark arrester is excessively worn or damaged, the spark arrester must be replaced. Cleaning and inspection should be performed after every 60 hours of use.
CAUTION: Gloves and safety glasses should be worn while cleaning spark arrester.
- Re-install spark arrester and aluminum ring. Install the spark arrester securing bolt and 6mm lock washer and torque to 1.0 kg-m (7.3 lb-ft).
NOTE: It is recommended that a low strength "Loc-tite" is used on the spark arrester securing bolt.