



# YOSHIMURA

RESEARCH & DEVELOPMENT OF AMERICA, INC.

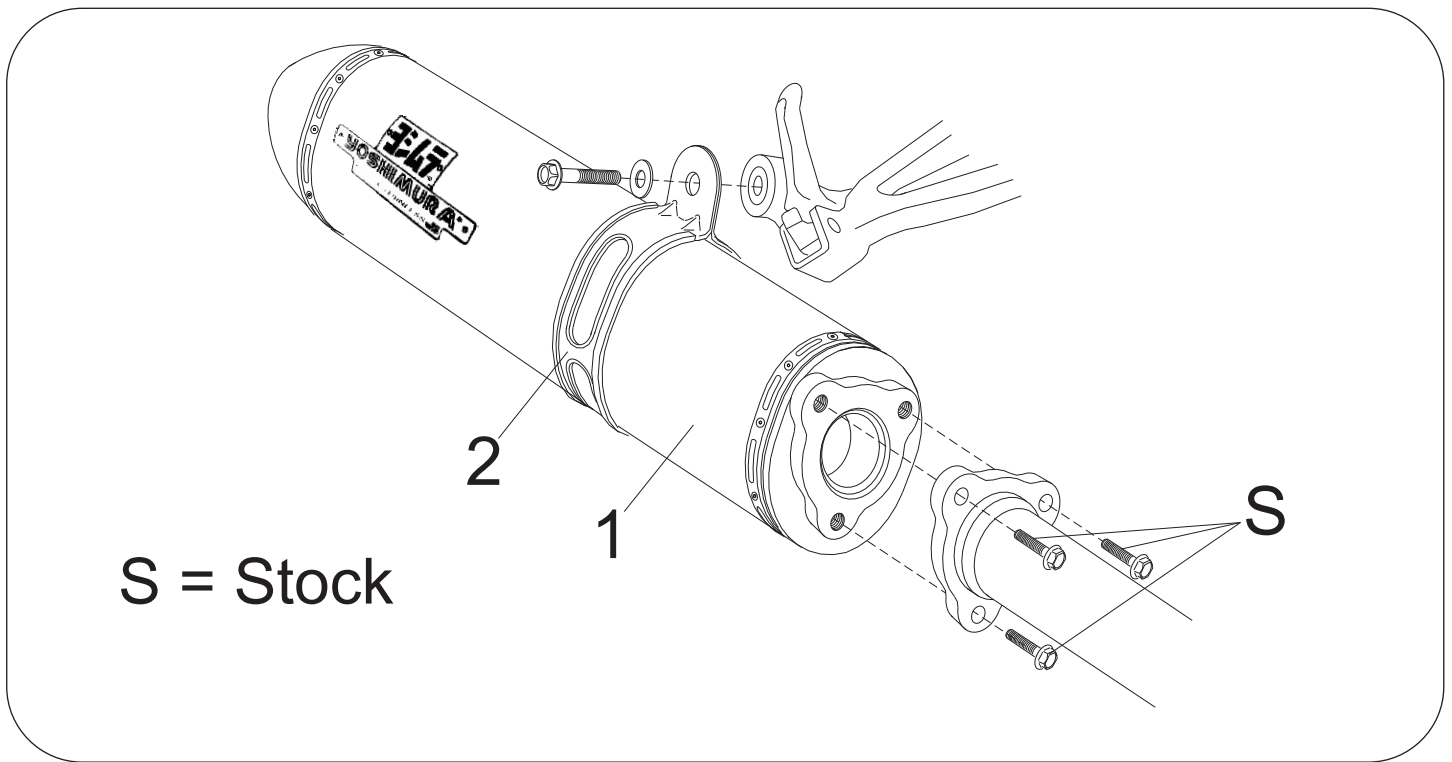
5420 DANIELS STREET STE A, CHINO CA., 91786 · (800)634-9166 · (909)628-4722 · FACSIMILE (909)591-2198

[www.yoshimura-rd.com](http://www.yoshimura-rd.com)

## RS-3C OVAL PERFORMANCE EXHAUST SYSTEM

**SUZUKI**  
**'97-00**  
**GSX1200**

**SU12950-CE** RACE BOLT-ON SYSTEM



S = Stock

Parts Diagram

### Part List:

NO.	DESCRIPTION	QTY	PART #
1	RS-3C Oval Muffler Assembly	1	**
2	Stainless Steel Muffler Clamp Stainless Steel or Titanium Sleeve uses	1	COS450S8ASX
3	8mm x 20mm Flange Hex Bolt	3	M8X20H
**	Instruction Manual	1	INST KIT
**	Low Volume Insert Kit	1	INS-15-K
**	4.5" Muffler Clamp Insulator	1	HT SHLDTRS
**	Yoshimura Vinyl Sticker	1	17029



**THIS PRODUCT IS DESIGNED FOR USE IN CLOSED COURSE RACING AND IS NOT INTENDED FOR HIGHWAY USE.**



NOTE: IN THE STATE OF CALIFORNIA, IT IS ILLEGAL TO MODIFY THE EMISSION CONTROL SYSTEM. WHICH INCLUDES THE CARBURETORS OF ANY VEHICLE.

**Caution:** Exhaust system can be extremely hot. Let motorcycle cool down before beginning installation.

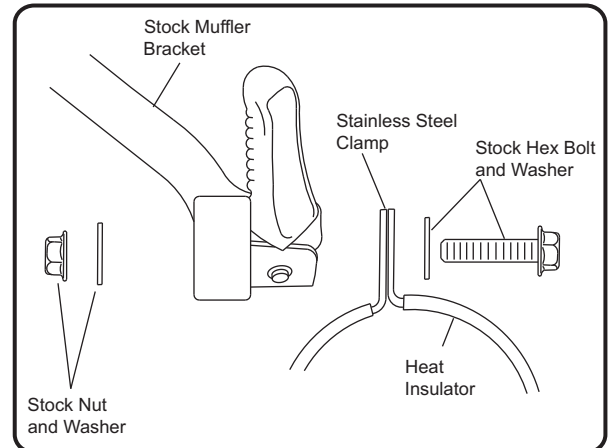
**Note:** Read through all instructions before beginning installation.

**Tools Needed:**

12mm socket  
3/8" ratchet and extension  
12mm and 14mm wrench  
6mm Allen wrench  
Torque wrench

**Installation Steps:**

- 1 Remove stock muffler and gasket.
- 2 Loosen tailpipe bolt at chassis mount.
- 3 Install new muffler gasket.  
(Not supplied - Suzuki part no. 14181-33E00)
- 4 Install Yoshimura muffler using supplied bolts and washers. Torque bolts to 2.3 kg-m (16.5 lb-ft).
- 5 Apply heat insulator to inside of muffler clamp and slide clamp onto muffler. (note direction of clamp in Fig. 2)
- 6 Mount clamp to stock muffler bracket using stock bolt, washer, and nut. (see Fig. 2) Torque bolt to 2.5 kg-m (18 lb-ft)
- 7 Tighten tailpipe bolt at chassis mount. Torque bolt to 2.5 kg-m (18 lb-ft)
- 8 Check for proper clearance between new muffler and motorcycle. (i.e. swing-arm, passenger foot-peg, rear wheel, etc.) If any problem is found, please carefully follow through the installation steps again. If problem still persists, please call Yoshimura tech. Dept. at (800)634-9166 / in CA (909)628-4722

**Fig. 2**

**Note:** After starting motorcycle, it is normal for new muffler to smoke until oil residue burns off.