



# YOSHIMURA

RESEARCH & DEVELOPMENT OF AMERICA, INC.

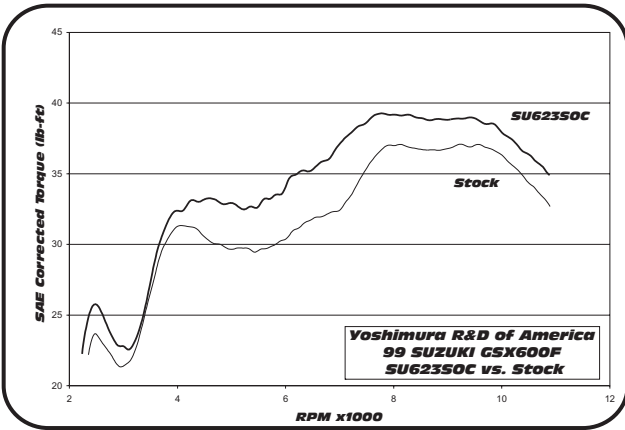
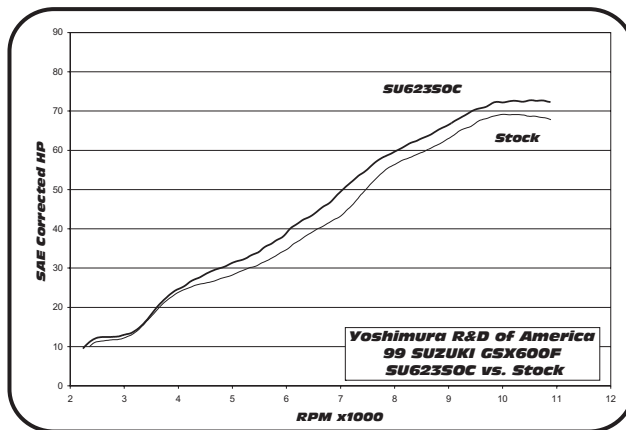
5420 DANIELS STREET STE A, CHINO CA., 91786 · (800)634-9166 · (909)628-4722 · FACSIMILE (909)591-2198

[www.yoshimura-rd.com](http://www.yoshimura-rd.com)

## RS-3C OVAL PERFORMANCE EXHAUST SYSTEM

**SUZUKI**  
**'98-06**  
**GSX600F**

**SU623SOC-CE** STAINLESS STEEL ZYCLONE SLIP-ON SYSTEM



Note: Dyno graphs are for comparison use only. Actual results may vary depending on operating and motorcycle condition.



ACTUAL PRODUCT MAY VARY FROM IMAGES.



**THIS PRODUCT IS DESIGNED FOR USE IN CLOSED COURSE RACING AND IS NOT INTENDED FOR HIGHWAY USE.**



NOTE: IN THE STATE OF CALIFORNIA, IT IS ILLEGAL TO MODIFY THE EMISSION CONTROL SYSTEM, WHICH INCLUDES THE CARBURETORS OF ANY VEHICLE.

**Caution:** Exhaust system can be extremely hot. Let motorcycle cool down before beginning installation.

**Note:** Read through all instructions before beginning installation.

### **Tools Needed:**

12mm socket  
3/8" ratchet  
12mm, 13mm wrench  
Torque wrench

### **Installation Steps:**

- 1 Remove stock muffler and tailpipe assembly.
- 2 Install new collector-tailpipe exhaust gasket. (Not supplied - Suzuki part no. 14771-27E00)
- 3 Install Yoshimura muffler and tailpipe assembly into stock header.
- 4 Secure tailpipe to stock chassis mount using supplied bolt, washer and nut. Hand tighten only at this point. (See Fig. 1)
- 5 Apply muffler clamp heat insulator to inside of muffler clamp and slide clamp onto muffler. (Note direction of clamp in Fig. 2)
- 6 Mount clamp to stock muffler bracket using stock bolt, washer and nut. (See Fig. 2)  
Tighten bolt to 2.5 kg-m (18 lb-ft).
- 7 Torque chassis mount bolt to 2.5 kg-m (18 lb-ft).
- 8 Torque stock collector-tailpipe clamp to 2.0 kg-m (14.5 lb-ft).
- 9 It is recommended that the muffler and tailpipe be wiped down with rubbing alcohol to remove oil and fingerprints. This will help prevent tarnishing of the finish after the exhaust is heated up.

### **Caution**

- 10 Before riding the motorcycle, check to see if the rear axle nut is on the left side of the swingarm. If not, it is important that the axle be removed and rotated so that the axle nut is located on the left side. (Failure to do so will cause the axle nut to contact the muffler).



Fig. 1

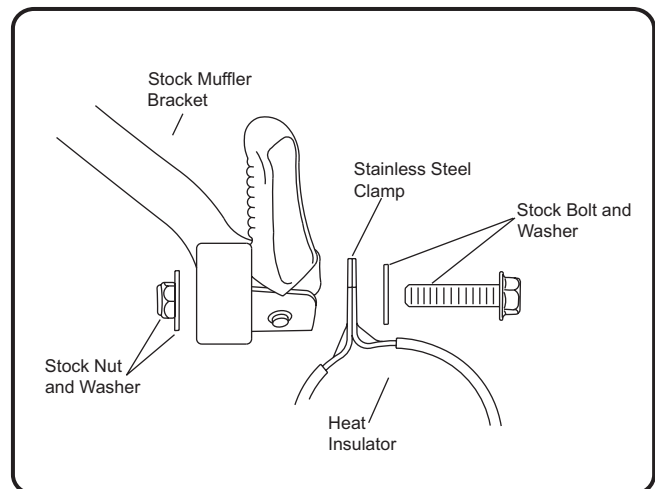
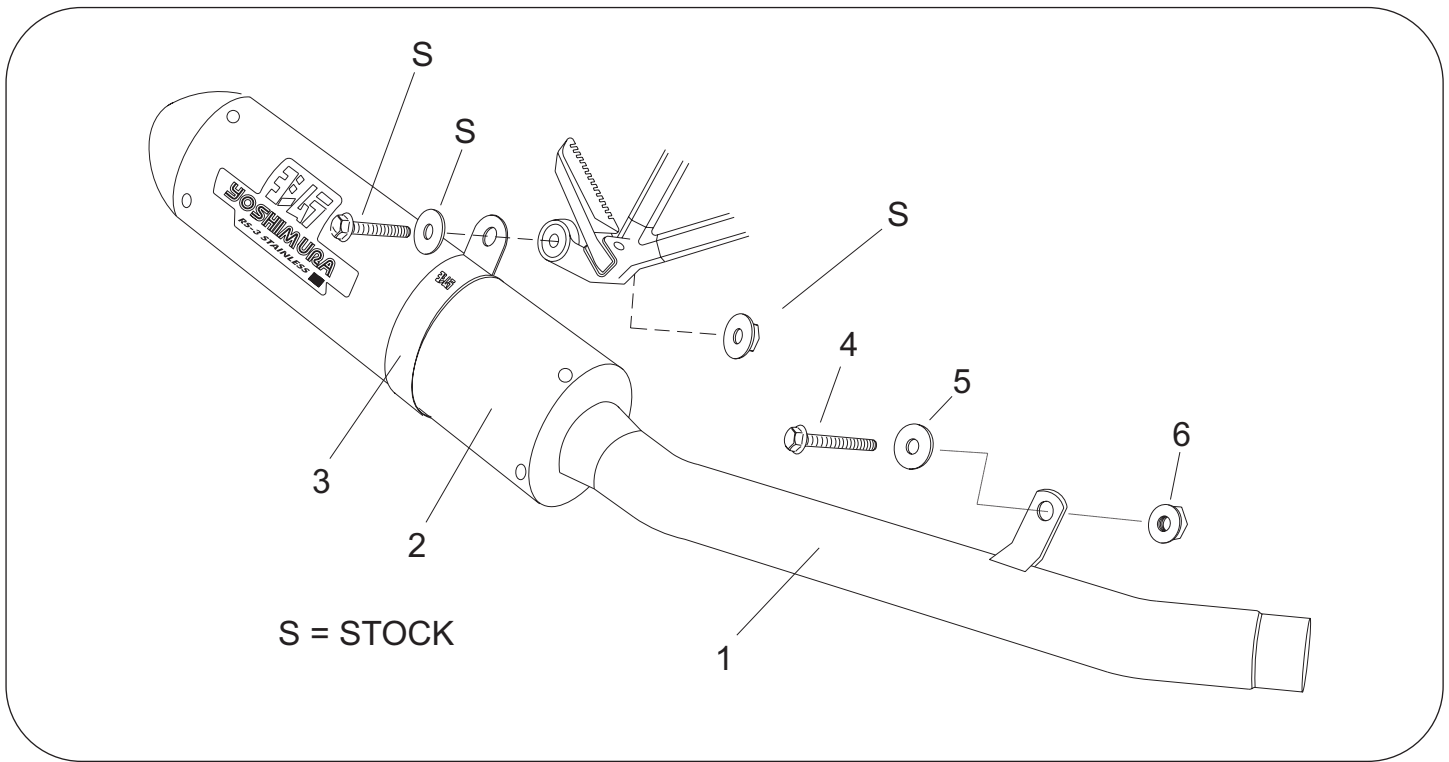


Fig. 2

- 11 Check for proper clearance between new exhaust system and swing arm. If any problem is found, please carefully follow through the installation steps again. If problem still persists, please call Yoshimura tech. Dept. at (800)634-9166 / in CA (909) 628-4722

**NOTE:** After starting motorcycle, it is normal for new exhaust system and muffler to emit smoke until oil residue burns off.

**#SU623SOC-CE**

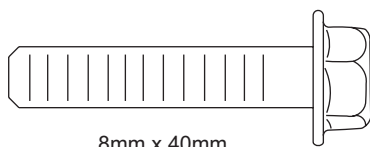


S = STOCK

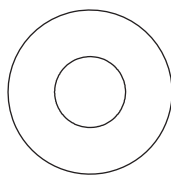
Parts Diagram

NO.	DESCRIPTION	QTY	PART #
1	Ni-Ni-Chrome Plated Zyclone Tailpipe	1	SU628SOC
2	RS-3C Oval Muffer Assembly	1	**
3	Stainless Steel Muffer Clamp Stainless Steel Sleeve uses	1	COS450S8ASX
4	8mm x 40mm Flange Hex Bolt	1	M8X40H
5	8mm Flat Washer	1	8MMWASHERL
6	8mm Flange Hex Nut	1	8MMNUT
**	Muffer Clamp Heat Insulator	1	HT SHLD TRS
**	Yoshimura Vinyl Sticker	1	17029

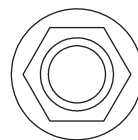
**Nuts and Bolts Guide (Actual Size):**



8mm x 40mm  
Flange Hex Bolt



8mm Large Flat Washer



8mm Flange Nut