



YOSHIMURA

RESEARCH & DEVELOPMENT OF AMERICA, INC.

5420 DANIELS STREET STE A, CHINO CA., 91786 · (800)634-9166 · (909)628-4722 · FACSIMILE (909)591-2198

www.yoshimura-rd.com

RS-3 OVAL PERFORMANCE EXHAUST SYSTEM

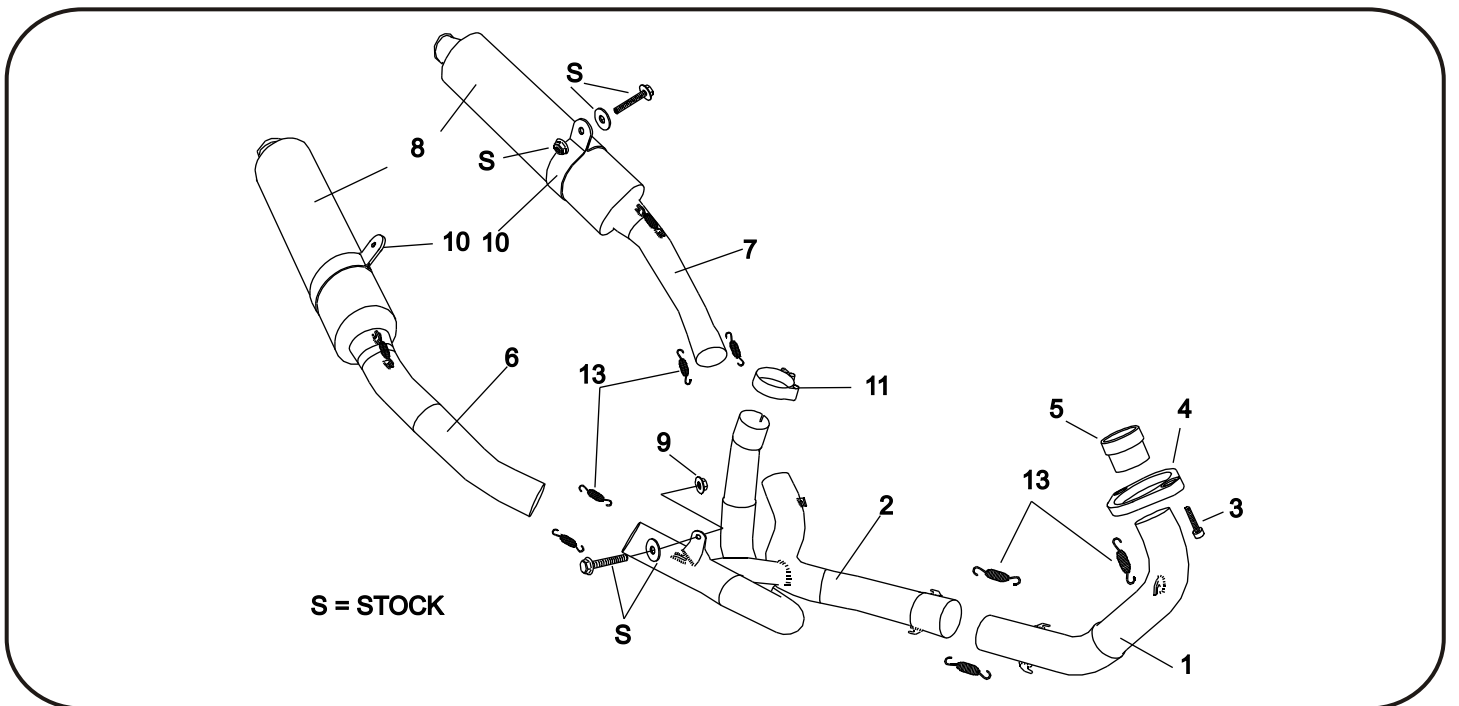
SUZUKI

'97-01

TL1000S

TL106RR

STAINLESS STEEL RACE ONLY FULL SYSTEM



Parts Diagram

NO.	DESCRIPTION	QTY	PART #
1	Stainless Steel Header (Front)	1	TL106RRHF
2	Stainless Steel Header (Rear)	1	TL106RRHB
3	8mm Drill Allen Bolt	2	8X25SP
4	Steel Flange	1	TL116SDR
5	Stainless Steel Manifold	1	TL107SDM
6	Stainless Steel Tailpipe (Right)	1	TL106RTR
7	Stainless Steel Tailpipe (Left)	1	TL106RTL
8	RS-3 Oval Muffler Assembly	2	***
9	8mm Flange Nut	1	8MMNUT

NO.	DESCRIPTION	QTY	PART #
10	Stainless Steel Muffler Clamp Stainless Steel or Titanium Sleeve uses Carbon Fiber Sleeve uses	2	COS450S8ASX COS450S8AS
11	2" Stainless Steel Exhaust Clamp	1	200-60
12	2.3" Exhaust Spring	4	RACE-SPS
13	3" Exhaust Springs	8	RACE-SPL
**	Muffler Clamp Heat Insulator	2	HT SHLDTRS
**	Spring Puller Tool	1	ST-100
**	Yoshimura Vinyl Sticker	4	17028



THIS PRODUCT IS DESIGNED FOR USE IN CLOSED COURSE RACING AND IS NOT INTENDED FOR HIGHWAY USE.



NOTE: IN THE STATE OF CALIFORNIA, IT IS ILLEGAL TO MODIFY THE EMISSION CONTROL SYSTEM, WHICH INCLUDES THE CARBURETORS OF ANY VEHICLE.

Caution: Exhaust system can be extremely hot. Let motorcycle cool down before beginning installation.

Note: Read through all instructions before beginning installation.

Installation Steps:

- 1 Remove stock mufflers and stock exhaust system. (Unbolt exhaust flange on front cylinder, loosen exhaust clamp at rear cylinder and unbolt chassis mount bolts on both sides.)
- 2 Replace old exhaust port gasket with new exhaust port gasket. (not supplied - Suzuki part no. 14181-31D00)
- 3 Install Yoshimura manifold and flange with supplied bolts. Torque bolt to 2.5 kg-m (18 lb-ft).
- 4 Slip exhaust clamp over Yoshimura rear header exhaust port tube.
- 5 Install rear header by slipping exhaust port tube into stock header tube. (Do not tighten exhaust clamp at this time.)
- 6 Install Yoshimura front header.
- 7 Install 2.5" exhaust springs on header. (Hook one end of the spring through drilled hole on header bolt and pull the other end with spring puller tool onto header's spring hook.)
- 8 Install 2.5" exhaust springs between front and rear header.
- 9 Install right side stock chassis mount bolt and washer. Torque bolt to 2.5 kg-m (18 lb-ft).
- 10 Tighten exhaust clamp to 1.25 kg-m (9 lb-ft).
- 11 Install left and right tailpipes w/mufflers.
- 12 Apply heat insulator to inside of muffler clamps and slide clamps onto mufflers. (See fig. 5 & 6)
- 13 Mount muffler clamps to stock muffler brackets using stock bolts, washers and nuts. (See Fig. 5 & 6) Torque bolts to 2.5 kg-m (18 lb-ft).
- 14 Install 2.5" exhaust springs between tail-pipes and header.

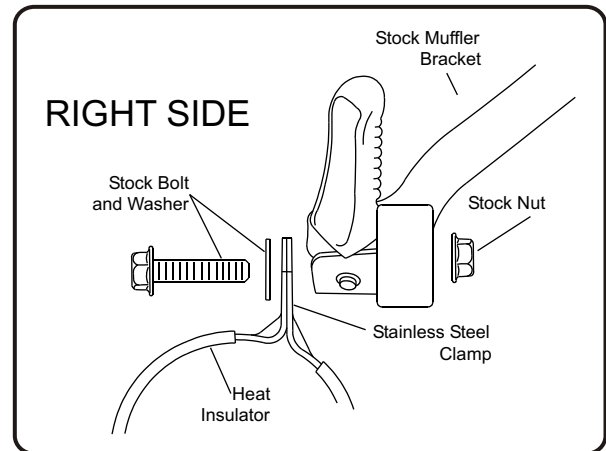


Fig. 5

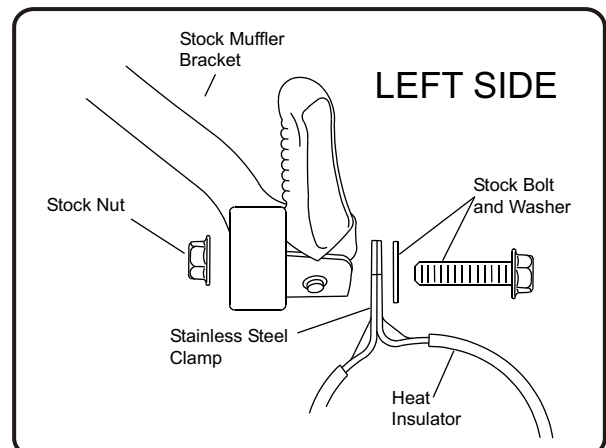


Fig. 6

15 It is recommended that the entire exhaust system be wiped down with rubbing alcohol to remove oil and fingerprints. This will help prevent tarnishing of the finish after the exhaust is heated up.

16 Check for proper clearance between new exhaust system and motorcycle. (i.e. radiator, oil pan, swing-arm, etc.) If any problem is found, please carefully follow through the installation steps again. If problem still persists, please call Yoshimura tech. dept. at (800)634-9166 / in CA (909)628-4722

Note: After starting motorcycle, it is normal for new exhaust system to smoke until oil residue burns off.