



# YOSHIMURA

RESEARCH & DEVELOPMENT OF AMERICA, INC.

5420 DANIELS STREET STE A, CHINO CA., 91786 · (800)634-9166 · (909)628-4722 · FACSIMILE (909)591-2198

[www.yoshimura-rd.com](http://www.yoshimura-rd.com)

## RS-3C OVAL PERFORMANCE EXHAUST SYSTEM

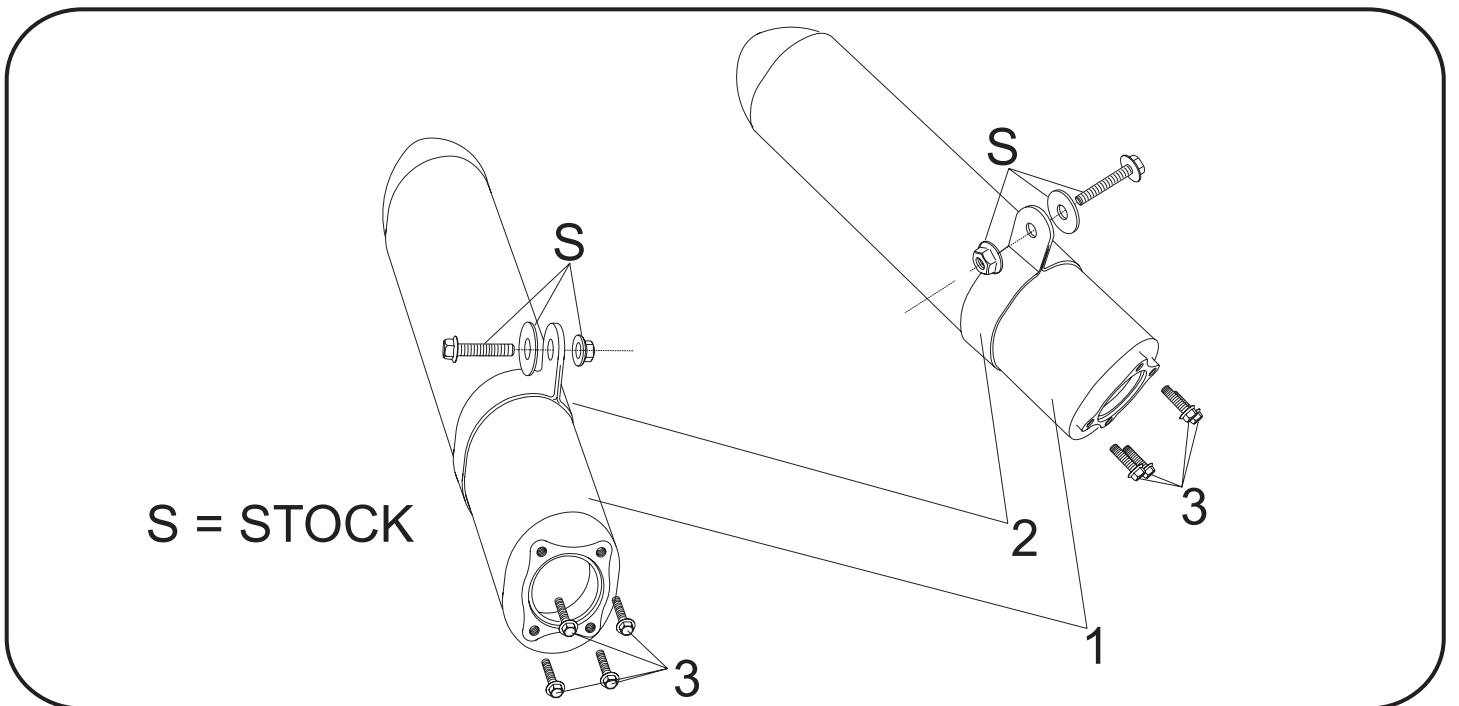
### SUZUKI

### '97-01

### TL1000S

**TL10950-CE**

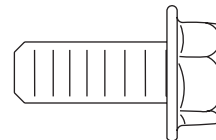
RS-3 RACE BOLT-ON SYSTEM



Parts Diagram

NO.	DESCRIPTION	QTY	PART #
1	RS-3C Muffler Assembly	2	**
2	Stainless Steel Muffler Clamp Stainless Steel uses	2	COS450S8ASX
3	8mm X 20mm Hex Head Bolts	8	M8X20H
**	Low Volume Sound Insert	2	INS-15-K
**	Muffler Clamp Heat Insulator	2	HT SHLDTRS
**	Instructions	1	INST KIT
**	Yoshimura Sticker	1	17029

### Nuts and Bolts Guide (Actual Size):



8mm x 20mm  
Flange Hex Bolt



**THIS PRODUCT IS DESIGNED FOR USE IN CLOSED COURSE RACING AND IS NOT INTENDED FOR HIGHWAY USE.**



NOTE: IN THE STATE OF CALIFORNIA, IT IS ILLEGAL TO MODIFY THE EMISSION CONTROL SYSTEM. WHICH INCLUDES THE CARBURETORS OF ANY VEHICLE.

**Caution:** Exhaust system can be extremely hot. Let motorcycle cool down before beginning installation.

**Note:** Read through all instructions before beginning installation.

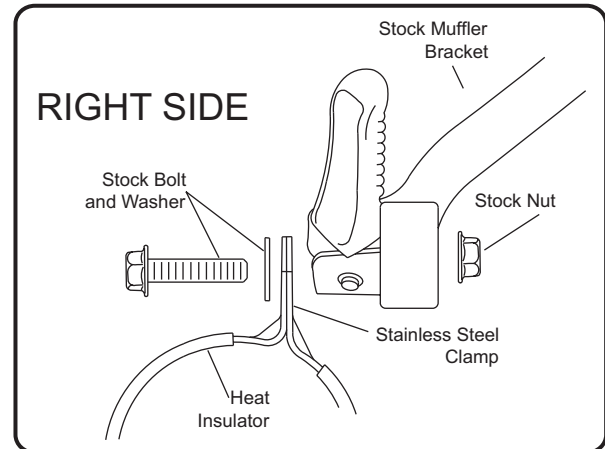
**Tools Needed:**

12mm socket  
3/8" ratchet  
12mm and 14mm wrenches  
Torque wrench

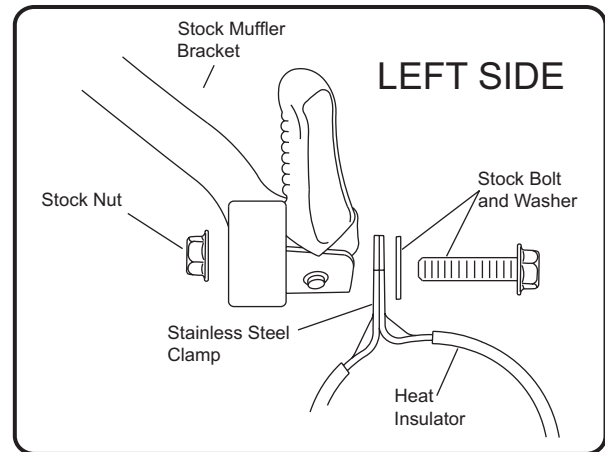
**Installation Steps:**

- 1 Remove stock mufflers and muffler gaskets.
- 2 Install new muffler gaskets.  
(Not supplied - Suzuki part no. 14181-02F00)
- 3 Install Yoshimura mufflers using supplied bolts.  
Torque bolts to 2.3 kg-m (16.5 lb-ft).
- 4 Apply muffler clamp heat insulator to inside of muffler clamps and slide clamps onto mufflers.  
(note direction of clamps in Fig. 1&2)
- 5 Mount clamps to stock muffler brackets using stock bolts, washers, and nuts. (see Fig. 1&2)  
Torque bolt to 2.5 kg-m (18 lb-ft).
- 6 Check for proper clearance between new muffler and motorcycle. (i.e. swing-arm, passenger foot-peg, rear wheel, etc.) If any problem is found, please carefully follow through the installation steps again. If problem still persists, please call Yoshimura tech. Dept. at (800)634-9166 / in CA (909)628-4722

**Note:** After starting motorcycle, it is normal for new exhaust system to smoke until oil residue burns off.



Right Side Fig.1



Left Side Fig. 2