



YOSHIMURA

RESEARCH&DEVELOPMENT OF AMERICA, INC.

5420 DANIELS STREET STE A, CHINO CA., 91786 · (800)634-9166 · (909)628-4722 · FACSIMILE (909)591-2198

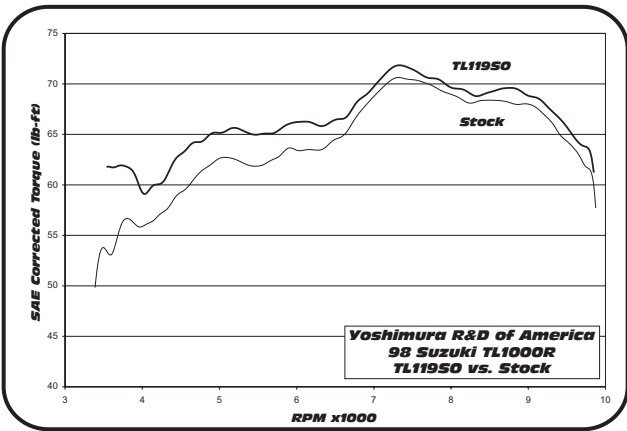
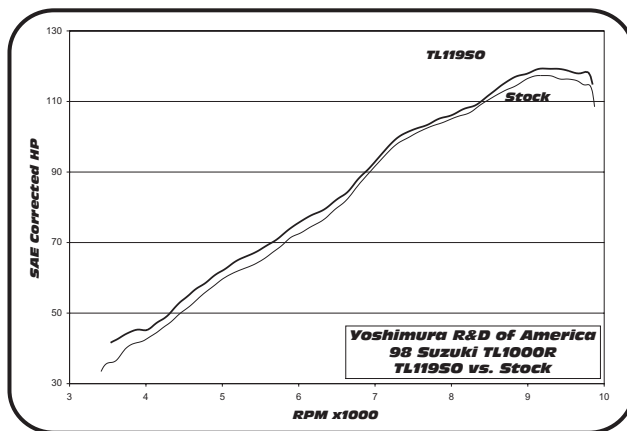
www.yoshimura-rd.com

RS-3C OVAL PERFORMANCE EXHAUST SYSTEM

**SUZUKI
'98-01
TL1000R**

TL11950-CE

RACE ONLY BOLT-ON SYSTEM



Note: Dyno graphs are for comparison use only. Actual results may vary depending on operating and motorcycle condition.



ACTUAL PRODUCT MAY VARY FROM IMAGES.



THIS PRODUCT IS DESIGNED FOR USE IN CLOSED COURSE RACING AND IS NOT INTENDED FOR HIGHWAY USE.



NOTE: IN THE STATE OF CALIFORNIA, IT IS ILLEGAL TO MODIFY THE EMISSION CONTROL SYSTEM, WHICH INCLUDES THE CARBURETORS OF ANY VEHICLE.

Caution: Exhaust system can be extremely hot. Let motorcycle cool down before beginning installation.

Note: Read through all instructions before beginning installation.

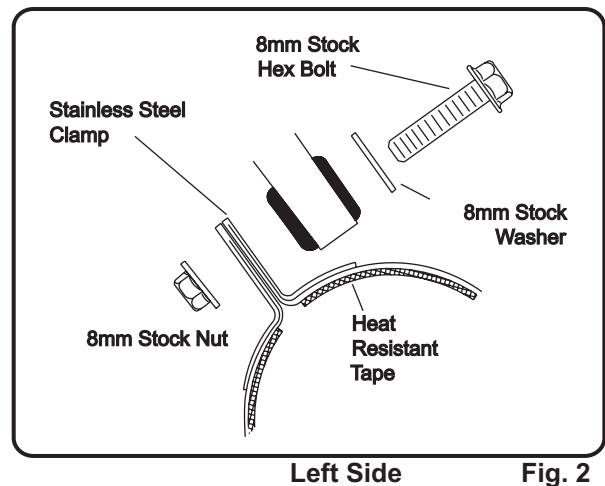
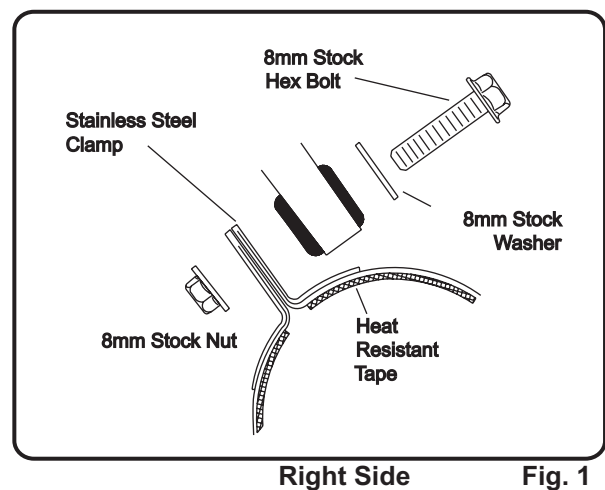
Tools Needed:

12mm socket
3/8" ratchet
12mm and 14mm wrenches
Torque wrench

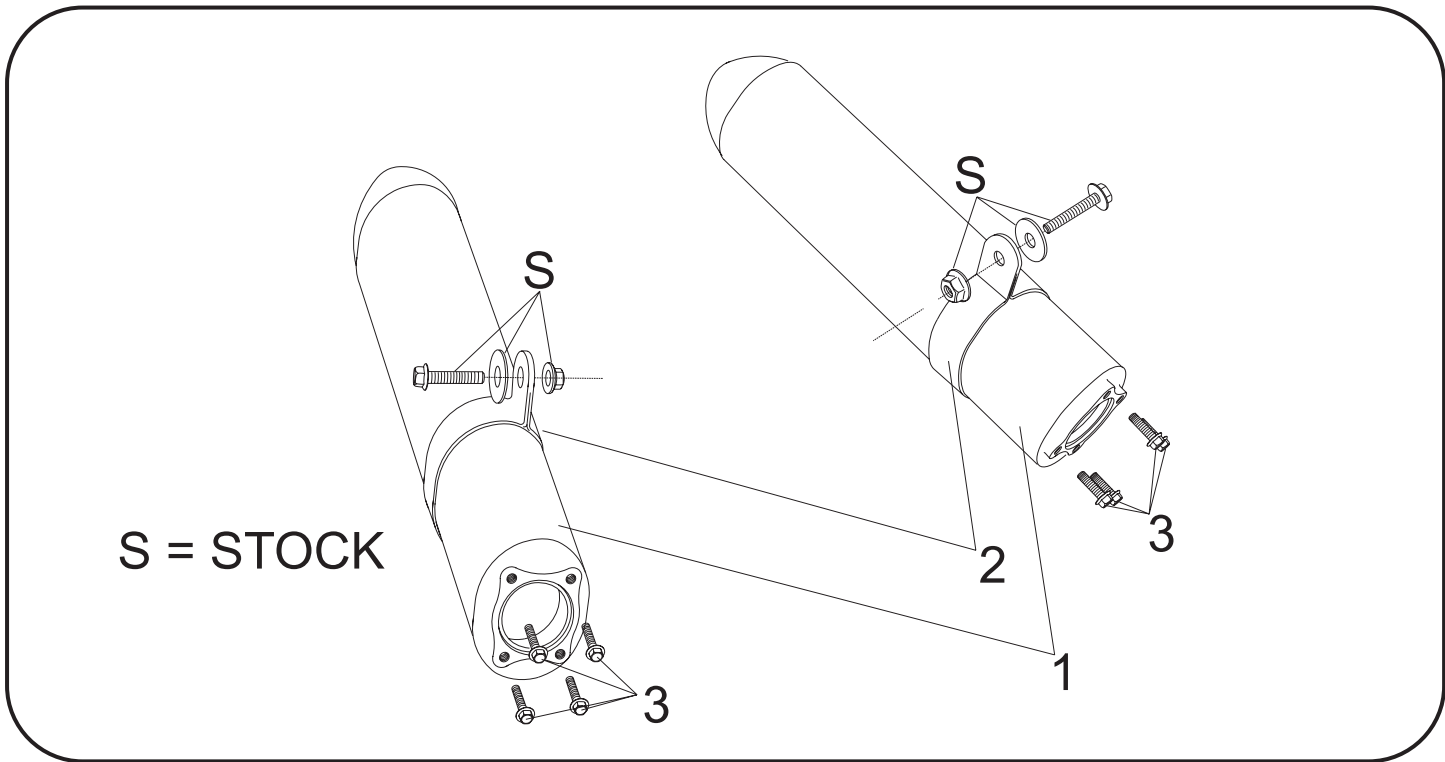
Installation Steps:

- 1 Remove stock mufflers and muffler gaskets.
- 2 Install new muffler gaskets.
(Not supplied - Suzuki part no. 14181-02F00)
- 3 Install Yoshimura mufflers using supplied bolts.
Torque bolts to 2.3 kg-m (16.5 lb-ft).
- 4 Apply heat resistant tape to inside of muffler clamps and slide clamps onto mufflers.
(note direction of clamp in Fig. 1&2)
- 5 Mount clamps to stock muffler brackets using stock bolts, washers, and nuts. (see Fig. 1&2)
Torque bolt to 2.5 kg-m (18 lb-ft).
- 6 Check for proper clearance between new muffler and motorcycle. (i.e. swing-arm, passenger foot-peg, rear wheel, etc.) If any problem is found, please carefully follow through the installation steps again. If problem still persists, please call Yoshimura tech. Dept. at (800)634-9166 / in CA (909)628-4722

Note: After starting motorcycle, it is normal for new exhaust system to smoke until oil residue burns off.



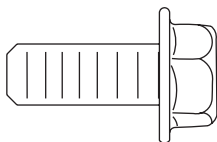
PN: TL11950-CE



Parts Diagram

NO.	DESCRIPTION	QTY	PART #
1	RS-3 Oval Muffler Assembly	2	**
2	Stainless Steel Muffler Clamp	2	CO450S8AOL
3	8mm x 20mm Flange Hex Bolt	8	M8X20H
**	Instruction Manual	1	INST KIT
**	Low Volume Sound Insert	2	INS-15-K
**	Muffler Clamp Heat Insulator	2	HT SHLD5
**	Yoshimura Vinyl Sticker	1	17029

Nuts and Bolts Guide (Actual Size):



8mm x 20mm
Flange Hex Bolt