



YOSHIMURA

RESEARCH&DEVELOPMENT OF AMERICA, INC.

5420 DANIELS STREET STE A, CHINO CA. 91786 · (800)634-9166 · (909)628-4722 · FACSIMILE (909)591-2198

www.yoshimura-rd.com

RS-3 OVAL PERFORMANCE EXHAUST SYSTEM

**HONDA
'96-01
XR250**

X260AS

STAINLESS STEEL COMPETITION SLIP ON SYSTEM

X260TR

STAINLESS STEEL RACE SLIP ON SYSTEM



NOTE: IN THE STATE OF CALIFORNIA, IT IS ILLEGAL TO MODIFY THE EMISSION CONTROL SYSTEM. WHICH INCLUDES THE CARBURETORS OF ANY VEHICLE.

Caution: Exhaust system can be extremely hot. Let motorcycle cool down before beginning installation.

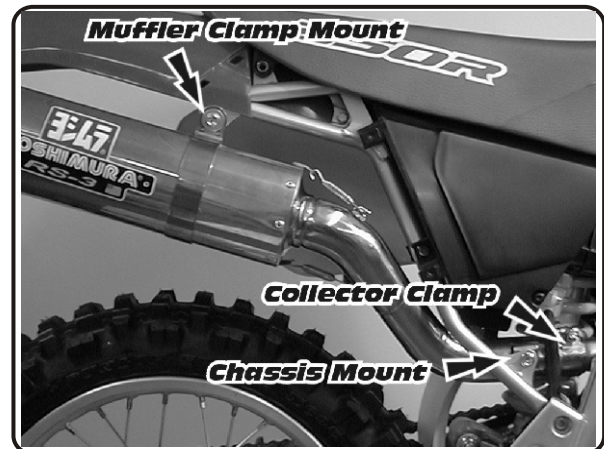
Note: Read through all instructions before beginning installation.

Tools Needed:

10mm, 11mm (7/16") and 12mm sockets
3/8" ratchet and extension
5mm and 6mm Allen wrenches
Torque wrench

Installation Steps:

- 1 Remove right rear number plate.
(See Fig. 1 for fastener locations.)
- 2 Remove stock exhaust system.
- 3 Install supplied graphite gasket into Yoshimura tailpipe inlet, slide exhaust clamp over tailpipe inlet and install tailpipe onto header. (See parts diagram on page 3.)
- 4 Bolt tailpipe to lower chassis mount using stock bolt.
(See Fig. 2) Do not tighten at this point.

**Fig. 1****Fig. 2**

5 Apply heat resistant tape to inside of muffler clamp and slide clamp onto muffler. (Note direction of clamp in Fig. 3)

6 Mount clamp to stock muffler clamp mount using supplied bolt, washer and spacer. (See Fig. 3).

7 Tighten muffler clamp and chassis mount bolt to 2.5 kg-m (18 lb-ft) and exhaust clamp to 1.0 kg-m (7.3 lb-ft).

8 It is recommended that the muffler and tailpipe be wiped down with rubbing alcohol to remove oil and fingerprints. This will help prevent tarnishing of the finish after the exhaust is heated up.

9 Check for proper clearance between new exhaust system and rear suspension (i.e. tire, swing-arm, brake, etc). If any problem is found, please carefully follow through the installation steps again. If problem still persists, please call Yoshimura tech. Dept. at (800)634-9166 / in CA (909) 628-4722

10 Reinstall number plate.

11 Check for proper clearance between new exhaust system and number plate.

Note: After starting motorcycle, it is normal for new exhaust system to smoke until oil residue burns off.

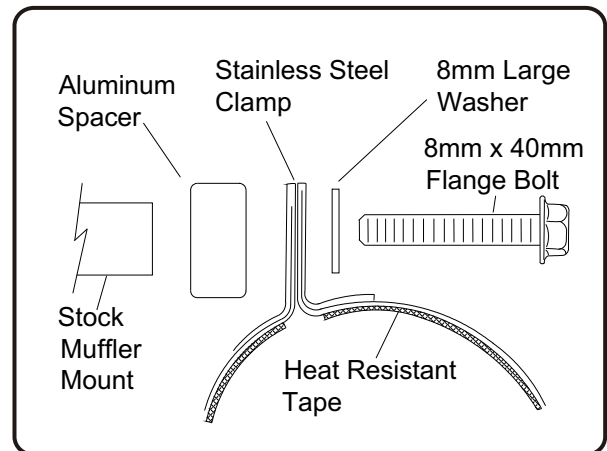
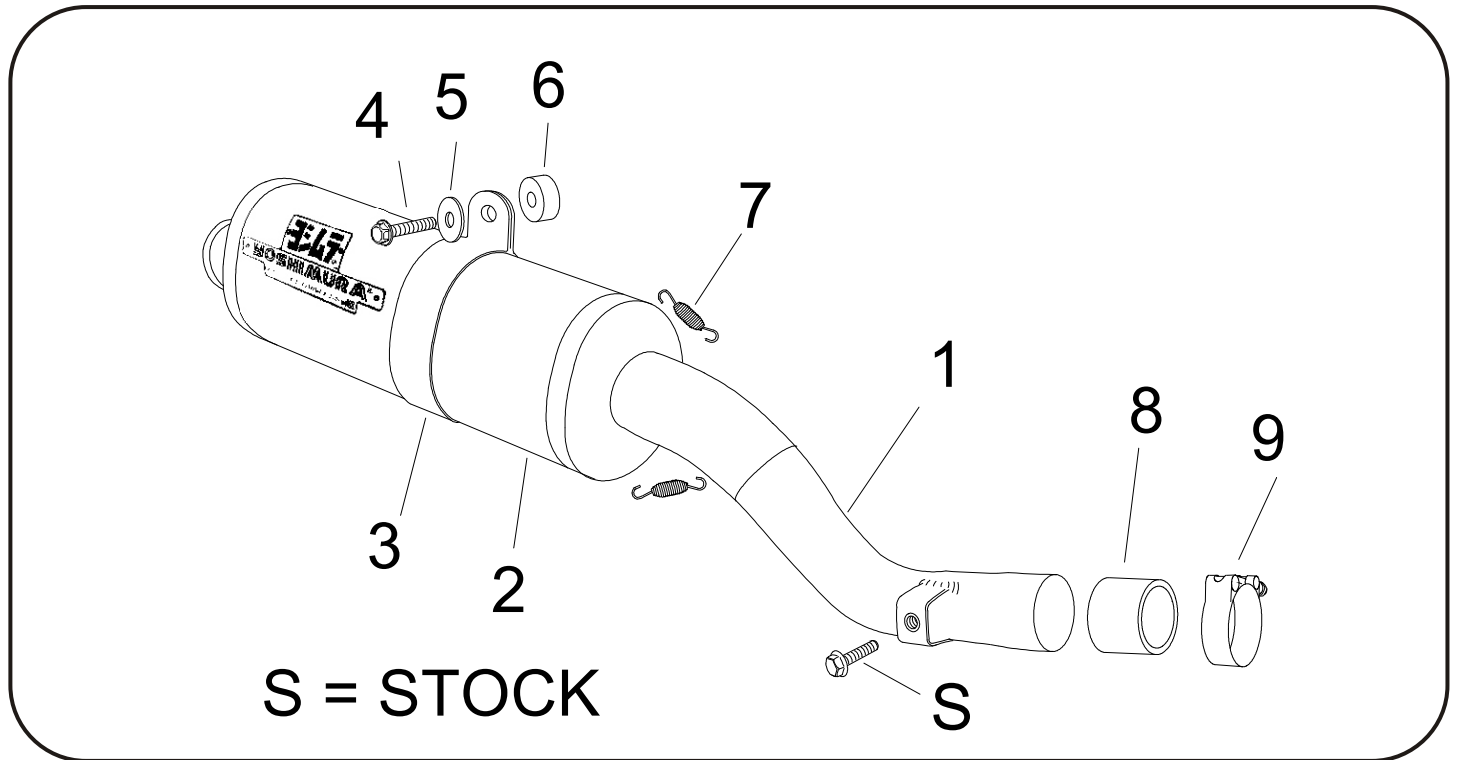


Fig. 3

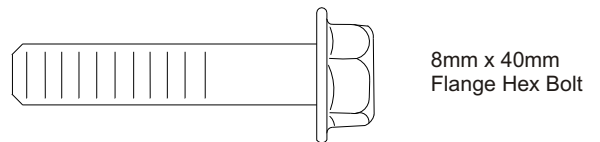
#X260AS, #X260TR



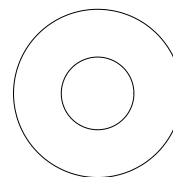
Parts Diagram

| NO. | DESCRIPTION | QTY | PART # |
|-----|---|-----|---------------------|
| 1 | Yoshimura Tailpipe Stainless Steel Competition (Mill Finish) Stainless Steel Race (Polished Finish) | 1 | X260ASRT X260TRT |
| 2 | RS-3 Oval Muffler Assembly | 1 | ** |
| 3 | Stainless Steel Muffler Clamp | 1 | CO400S8AS |
| 4 | 8mm x 40mm Flange Hex Bolt | 1 | M8X40H |
| 5 | 8mm Large Washer | 1 | 8MMWASHERL |
| 6 | 10mm Aluminum Spacer | 1 | 8X10SPC |
| 7 | 2.5" Exhaust Spring | 2 | RACE-SPS |
| 8 | Graphite Gasket | 1 | 16-5565 |
| 9 | Stainless Steel Exhaust Clamp | 1 | 200-59 |
| ** | Spring Puller Tool | 1 | ST-100 |
| ** | 4" Heat Resistant Tape | 1 | HT SHLD4.0 |
| ** | Yoshimura Vinyl Sticker | 2 | 17028 |

Nut and Bolt Guide (Actual Size):



8mm x 40mm
Flange Hex Bolt



8mm Large Flat Washer