



YOSHIMURA

RESEARCH & DEVELOPMENT OF AMERICA, INC.

5420 DANIELS STREET STE A, CHINO CA. 91786 · (800)634-9166 · (909)628-4722 · FACSIMILE (909)591-2198

www.yoshimura-rd.com

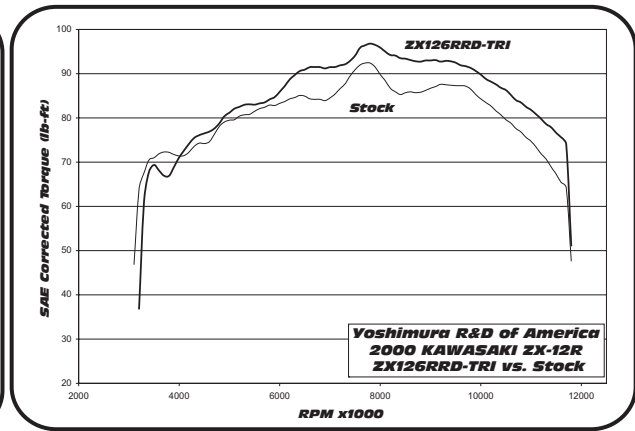
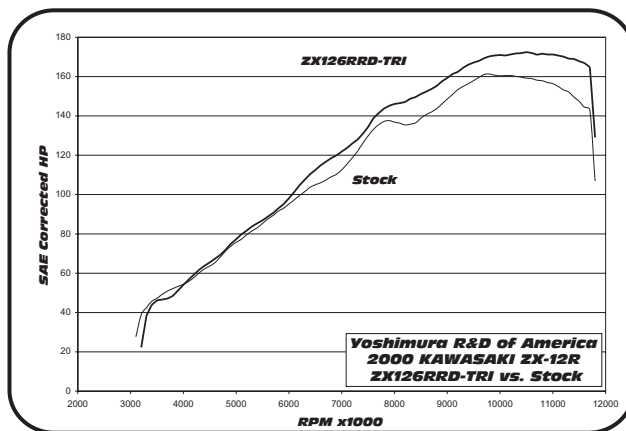
TRI-OVAL PERFORMANCE EXHAUST SYSTEM

KAWASAKI
2000-05
ZX-12R

ZX126RRD-TRI

STAINLESS RACE ONLY DUPLEX HIGH MOUNT SYSTEM

** This system is designed for closed circuit competition use only and requires removal of right rear signal light.



Note: Dyno graphs are for comparison use only. Actual results may vary depending on operating and motorcycle condition.



NOTE: IN THE STATE OF CALIFORNIA, IT IS ILLEGAL TO MODIFY THE EMISSION CONTROL SYSTEM. WHICH INCLUDES THE CARBURETORS OF ANY VEHICLE.

Caution: Exhaust system can be extremely hot. Let motorcycle cool down before beginning installation.

Note: Read through all instructions before beginning installation.

Tools Needed:

10mm, 12mm and 14mm sockets
3/8" ratchet and extension
14mm wrench
4mm Allen wrench
Philip screwdriver
Torque wrench

Installation Steps:

****NOTE: REAR TURN SIGNALS MUST BE REMOVED!**

- 1 Remove left, right cowlings.
(See Fig.1 for fastener locations)
- 2 Remove lower radiator mount bracket and tilt radiator forward slightly. (see Fig. 2)
- 3 Remove stock exhaust system and exhaust port gaskets.
- 4 Install new exhaust port gaskets.
(not supplied - Kawasaki part no. 11009-1908)
- 5 Install Yoshimura header using stock header nuts.
Torque header nuts to 1.4 kg-m (10.2 lb-ft).
- 6 Remove stock muffler bracket and rear turn signals.
- 7 Install Yoshimura muffler bracket using stock bolts and supplied aluminum spacer. (See page 4)
Torque bolts to 2.5 kg-m (18 lb-ft)
Note: Spacer goes behind on left side of bracket.

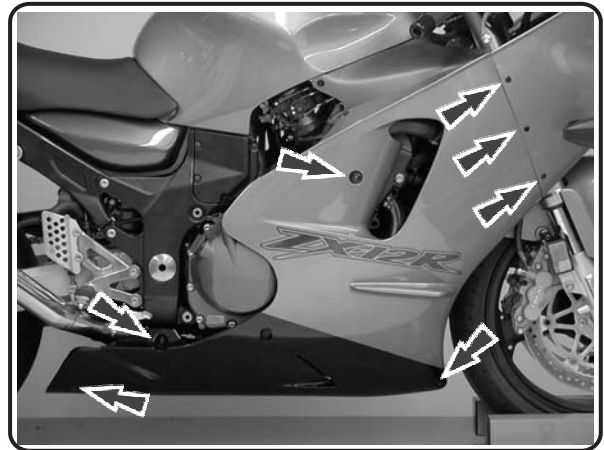


Fig. 1



Fig. 2

10 Install Yoshimura tailpipe w/muffler onto header.

11 Install long exhaust springs between header and tailpipe. (See Fig.4)

12 Slide clamp onto muffler and mount clamp to aluminum muffler bracket using supplied bolt, washer and nut. (Note direction of clamp in Fig. 3) (See Fig. 4) Torque bolt to 2.5 kg-m (18 lb-ft).

13 It is recommended that the entire exhaust system be wiped down with rubbing alcohol to remove oil and fingerprints. This will help prevent tarnishing of the finish after the exhaust is heated up.

14 Re-install lower radiator bracket and cowlings.

15 Before starting motorcycle, check for proper clearance between new exhaust system and motorcycle. (i.e. radiator, oil pan, swing-arm, etc.) If any problem is found, please carefully follow through the installation steps again. If problem still persists, please call Yoshimura tech. dept. at (800)634-9166 / in CA (909)628-4722

15 Re-install cowlings.

16 Check for proper clearance between new exhaust system and cowling.

NOTE: After starting motorcycle, it is normal for new exhaust system and muffler to emit smoke until oil residue burns off.

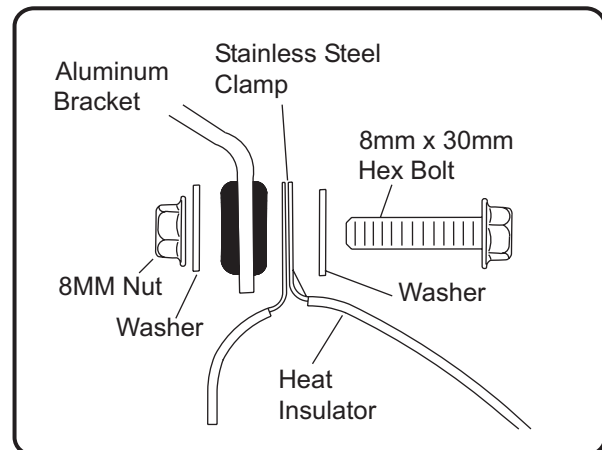


Fig. 3

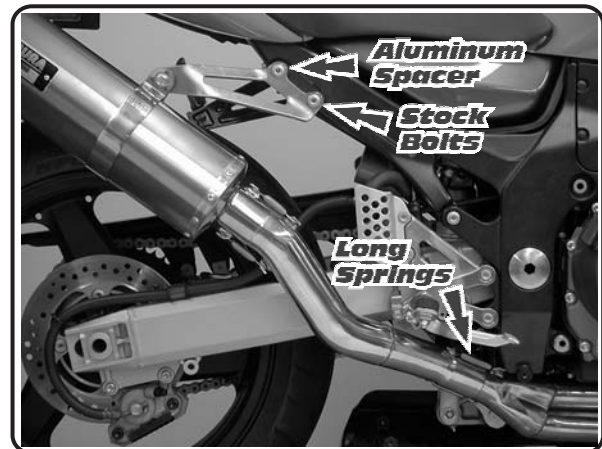
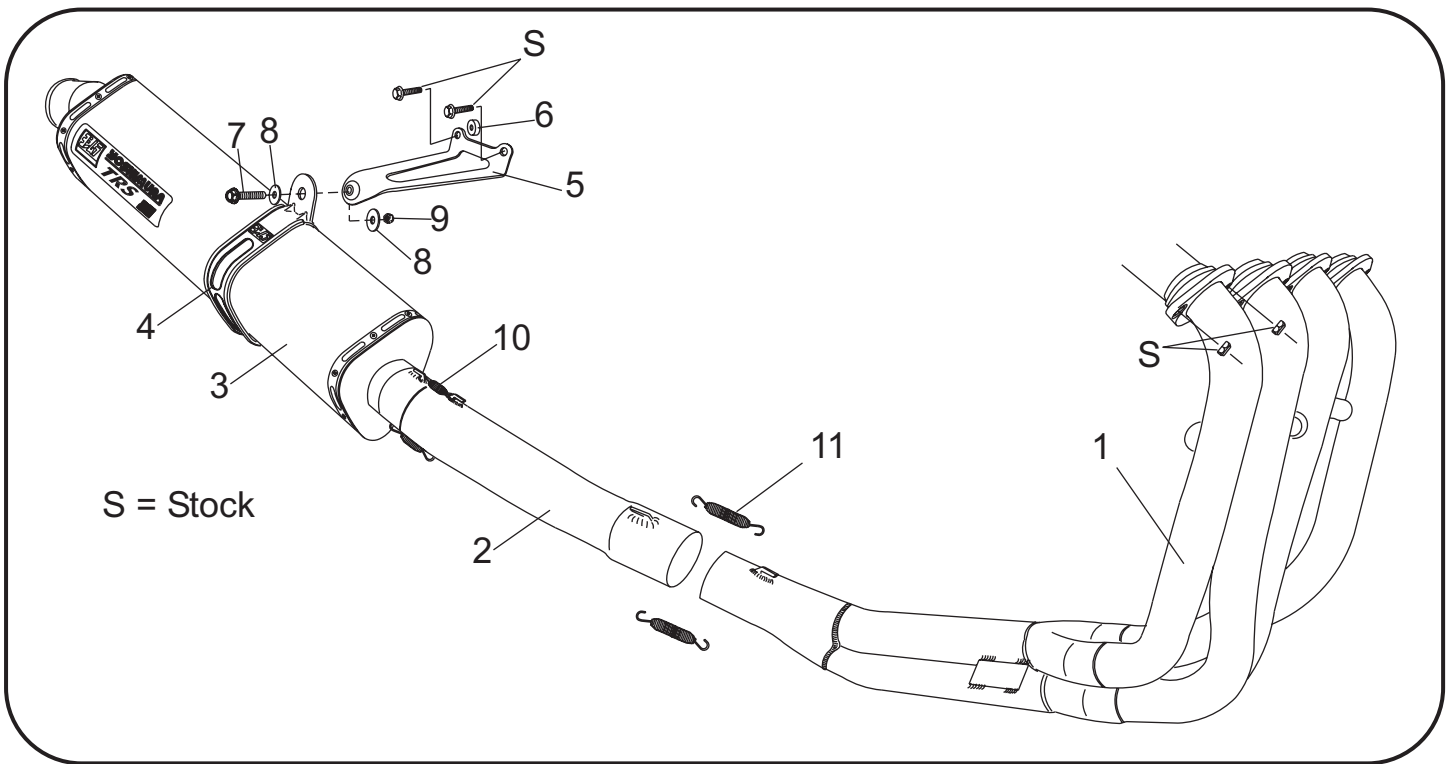


Fig. 4

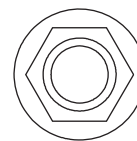
#ZX126RRDS-TRI



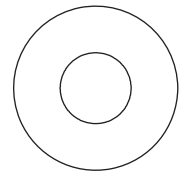
Parts Diagram

NO.	DESCRIPTION	QTY	PART #
1	Yoshimura Header Stainless Steel Duplex Race Only	1	ZX126RRHD
2	Yoshimura Tailpipe Stainless Steel Race Only	1	ZX126RHT
3	Tri-Oval Muffler Assembly	1	**
4	Stainless Tri-Oval Muffler Clamp Titanium Sleeve use Carbon Fiber Sleeve use	1	CTS081X CTS081
5	Aluminum Hanger Bracket	1	ZX126AB
6	Aluminum Spacer	1	10X24X7SPC
7	8mm X 30mm Flange Bolt	1	M8X30H
8	Flat Washer (Large)	2	8MMWASHERL
9	8mm Flange Nut	1	8MMNUT
10	2.5" Stainless Steel Exhaust Spring	2	RACE-SPS
11	3" Stainless Steel Exhaust Spring	2	RACE-SPL
**	Muffler Clamp Heat Insulator	1	HT SHLDTRS
**	Spring Puller Tool	1	ST-100
**	Duplex Sticker	2	DLABEL
**	Yoshimura Vinyl Sticker	2	17028-BLK

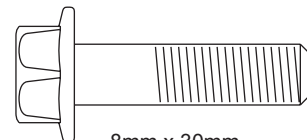
Nuts and Bolts Guide (Actual Size):



8mm Flange Nut



8mm Large Flat Washer



8mm x 30mm
Flange Hex Bolt