



YOSHIMURA

RESEARCH&DEVELOPMENT OF AMERICA, INC.

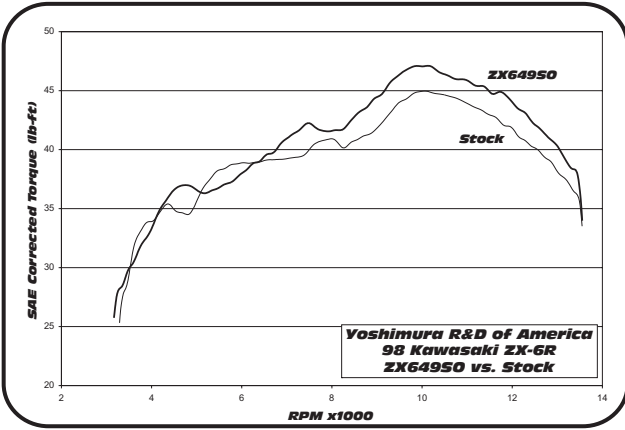
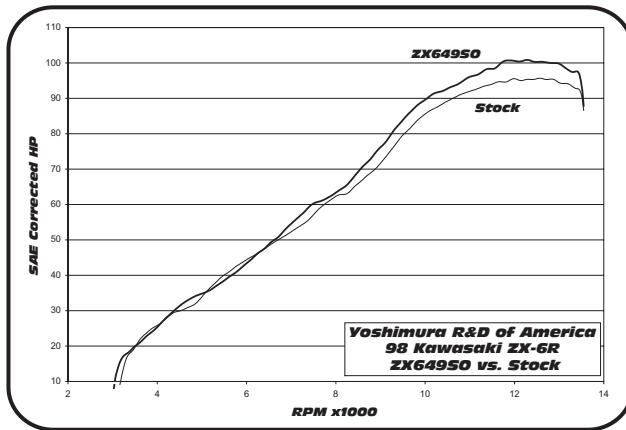
5420 DANIELS STREET STE A, CHINO CA., 91786 · (800)634-9166 · (909)628-4722 · FACSIMILE (909)591-2198

www.yoshimura-rd.com

RS-3C OVAL PERFORMANCE EXHAUST SYSTEM

KAWASAKI
'98-02
ZX-6R

ZX649SO_CE RS-3C RACE BOLT- ON SYSTEM



Note: Dyno graphs are for comparison use only. Actual results may vary depending on operating and motorcycle condition.



ACTUAL PRODUCT MAY VARY FROM IMAGES.



THIS PRODUCT IS DESIGNED FOR USE IN CLOSED COURSE RACING AND IS NOT INTENDED FOR HIGHWAY USE.



NOTE: IN THE STATE OF CALIFORNIA, IT IS ILLEGAL TO MODIFY THE EMISSION CONTROL SYSTEM, WHICH INCLUDES THE CARBURETORS OF ANY VEHICLE.

Caution: Exhaust system can be extremely hot. Let motorcycle cool down before beginning installation.

Note: Read through all instructions before beginning installation.

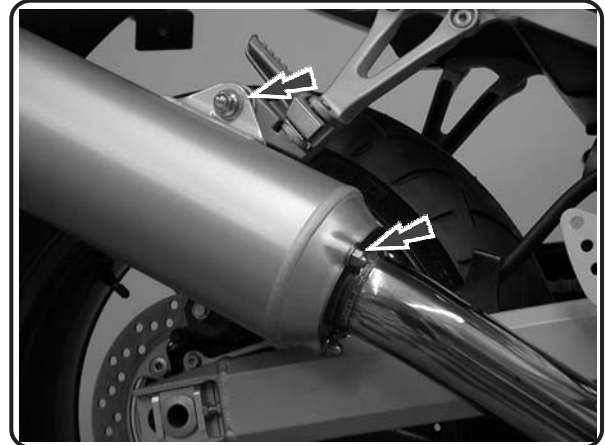
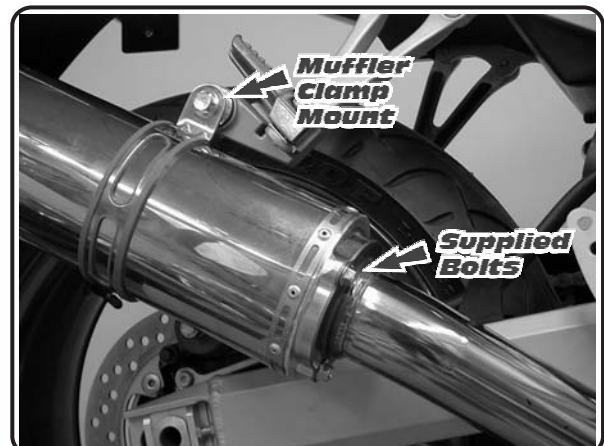
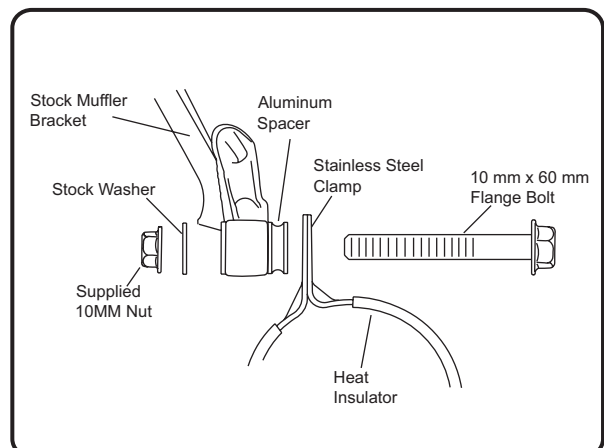
Tools Needed:

12mm and 14mm sockets
3/8" ratchet
17mm wrench
Torque wrench

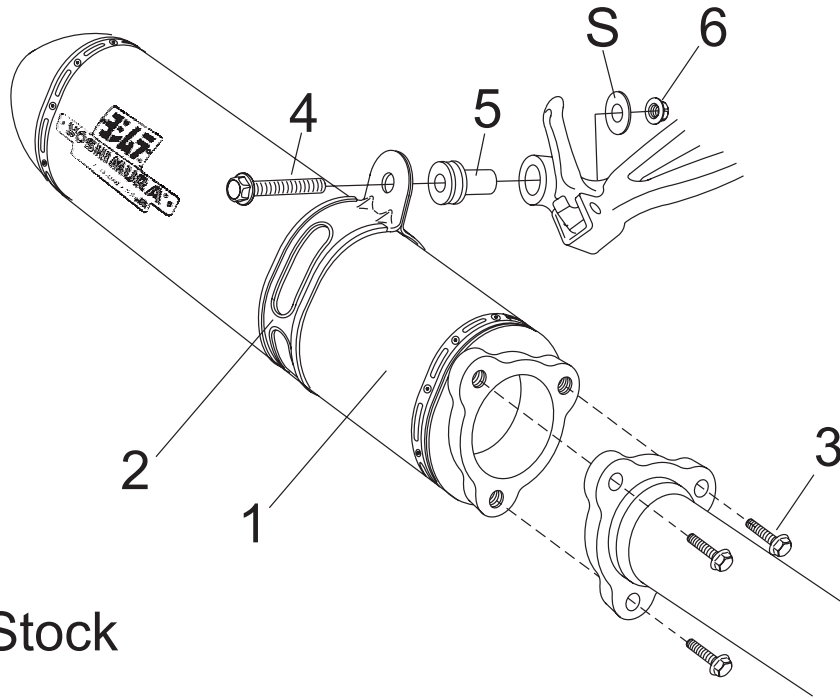
Installation Steps:

- 1 Remove stock muffler and muffler gasket.
(See Fig.1 for fastener locations.)
- 2 Install new muffler gasket.
(Not supplied - Kawasaki part no. 11060-1813)
- 3 Install Yoshimura muffler using supplied bolts.
(See Fig.2) Torque bolts to 2.3 kg-m (16.5 lb-ft).
- 4 Remove the steel insert from rubber grommet on muffler hanger bracket and replace with supplied aluminum spacer. (See Fig. 3)
- 5 Apply heat insulator to the inside of muffler clamp then slide clamp onto muffler.
(Note direction of clamp in Fig. 3)
- 6 Mount clamp to the outside stock muffler bracket using supplied bolt and nut. (see Fig. 2&3)
Torque bolt to 2.5 kg-m (18 lb-ft).
- 7 Before starting motorcycle, check for proper clearance between new muffler and motorcycle. (i.e. swing-arm, passenger foot-peg, rear wheel, etc.) If any problem is found, please carefully follow through the installation steps again. If problem still persists, please call Yoshimura tech. Dept. at (800)634-9166 / in CA (909)628-4722

Note: After starting motorcycle, it is normal for new exhaust system to smoke until oil residue burns off.

**Fig. 1****Fig. 2****Fig. 3**

#ZX649SO-CE

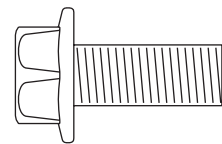


S = Stock

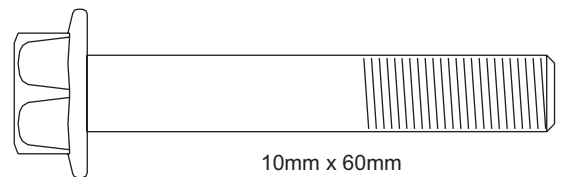
Parts Diagram

NO.	DESCRIPTION	QTY	PART #
1	RS-3C Oval Muffler Assembly	1	**
2	Stainless Steel Muffler Clamp Stainless Steel Sleeve uses	1	COS450S10ALX
3	20mm Flange Head Bolt	3	M8X20H
4	60mm Flange Head Bolt	1	M10x60H
5	Aluminum Spacer	1	10X32X25SP
6	Flange Nut	1	10MMFNUT
**	Muffler Clamp Heat Insulator	1	HT SHLDTRS
**	Yoshimura Vinyl Sticker	1	17029

Nuts and Bolts Guide (Actual Size):



8mm x 20mm
Flange Hex Bolt



10mm x 60mm
Flange Hex Bolt