



YOSHIMURA

RESEARCH & DEVELOPMENT OF AMERICA, INC.

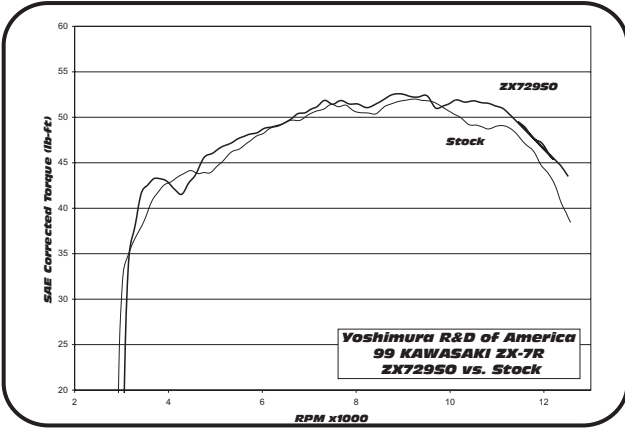
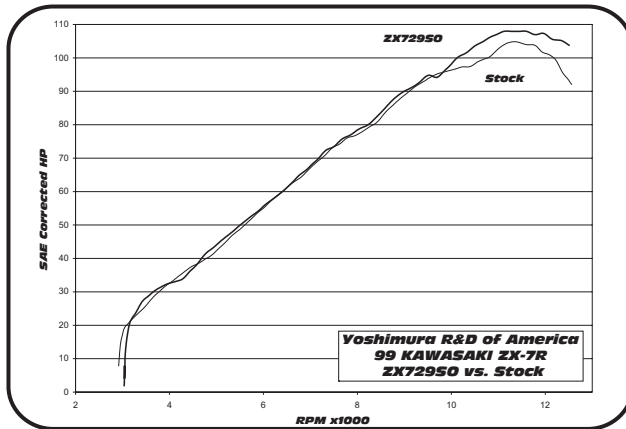
5420 DANIELS STREET STE A, CHINO CA., 91786 · (800)634-9166 · (909)628-4722 · FACSIMILE (909)591-2198
www.yoshimura-rd.com

RS-3C OVAL PERFORMANCE EXHAUST SYSTEM

KAWASAKI
'96-01
ZX-7/R

ZX72950-CE

RACE ONLY BOLT-ON SYSTEM



Note: graphs are for comparison use only. Actual results may vary depending on operating and motorcycle condition.



ACTUAL PRODUCT MAY VARY FROM IMAGES.



THIS PRODUCT IS DESIGNED FOR USE IN CLOSED COURSE RACING AND IS NOT INTENDED FOR HIGHWAY USE.



NOTE: IN THE STATE OF CALIFORNIA, IT IS ILLEGAL TO MODIFY THE EMISSION CONTROL SYSTEM. WHICH INCLUDES THE CARBURETORS OF ANY VEHICLE.

Caution: Exhaust system can be extremely hot. Let motorcycle cool down before beginning installation.

Note: Read through all instructions before beginning installation.

Tools Needed:

12mm and 14mm sockets
3/8" ratchet and extension
14mm wrench
5mm Allen wrench
Torque wrench

Installation Steps:

- 1 Remove stock muffler cover. (See fig. 1)
- 2 Remove stock muffler and gasket.
- 3 Install new muffler gasket.
(Not supplied - Kawasaki part no. 11060-1213)
- 4 Install Yoshimura muffler using supplied bolts and washer. Torque bolts to 2.3 kg-m (16.5 lb-ft).
- 5 Insert heat insulator in muffler clamp and slide clamp onto muffler. (note direction of clamp in Fig. 2)
- 6 Mount clamp to inside of stock muffler bracket using stock bolt, washer, and nut. (see Fig. 2)
Torque bolt to 2.5 kg-m (18 lb-ft)
- 7 Reinstall stock muffler cover using stock bolts.
- 8 Check for proper clearance between new muffler and motorcycle. (i.e. swing-arm, passenger foot-peg, rear wheel, etc.) If any problem is found, please carefully follow through the installation steps again. If problem still persists, please call Yoshimura tech. Dept. at (800)634-9166 / in CA (909)628-4722

Note: After starting motorcycle, it is normal for new exhaust system to smoke until oil residue burns off.



Fig. 1

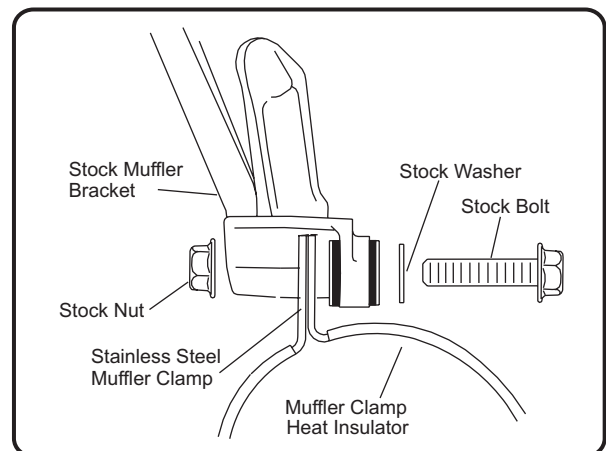
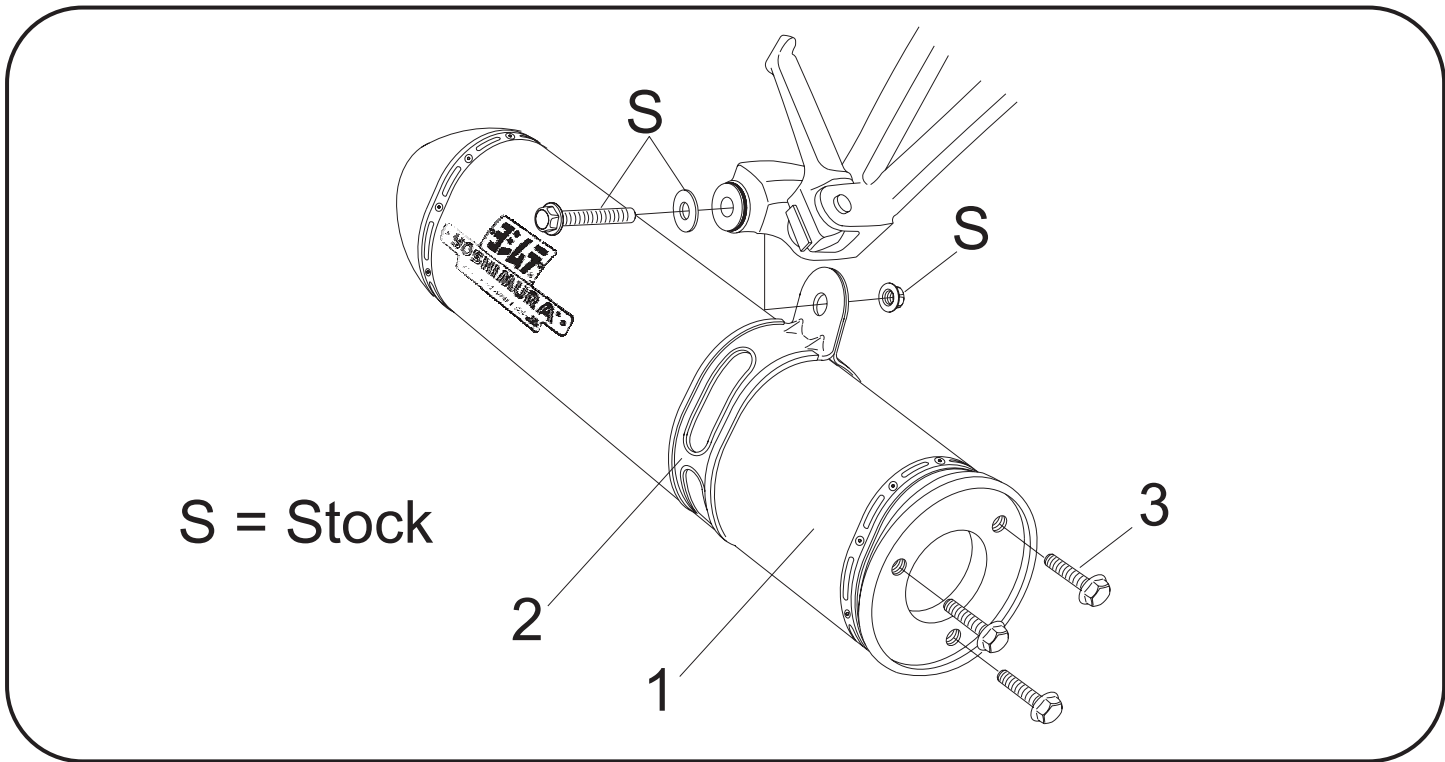


Fig. 2

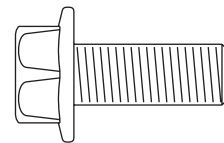
PN: ZX729SO-CE



Parts Diagram

NO.	DESCRIPTION	QTY	PART #
1	RS-3 Oval Muffler Assembly	1	**
2	Stainless Oval Muffler Clamp Stainless Steel or Titanium Sleeve uses Carbon Fiber Sleeve uses	1	COS450S8ASX COS450S8AS
3	Flange Bolt (8mm x 20mm)	3	M8X20H
**	Low Volume Sound Insert	1	INS-15-K
**	Muffler Clamp Heat Insulator	1	HT SHLDTRS
**	Yoshimura Vinyl Sticker	1	17029

Nuts and Bolts Guide (Actual Size):



8mm x 20mm
Flange Hex Bolt