



# YOSHIMURA

RESEARCH&DEVELOPMENT OF AMERICA, INC.

5420 DANIELS STREET STE A, CHINO CA., 91786 · (800)634-9166 · (909)628-4722 · FACSIMILE (909)591-2198

[www.yoshimura-rd.com](http://www.yoshimura-rd.com)

## RS-3C OVAL PERFORMANCE EXHAUST SYSTEM

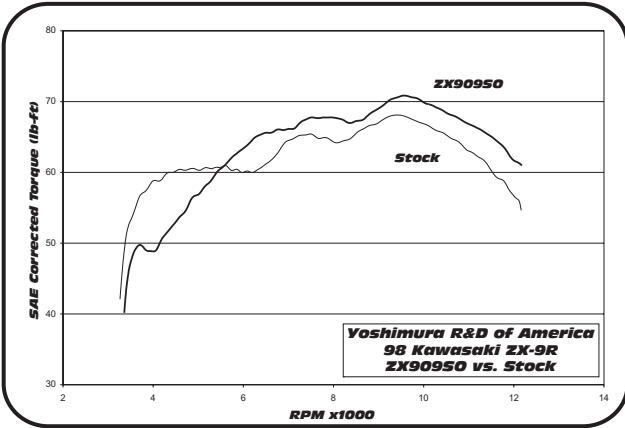
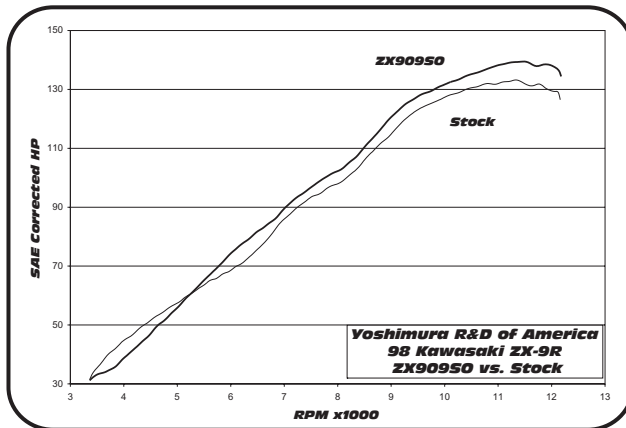
### KAWASAKI

### '98-02

### ZX-9R

### ZX90950-CE

RACE BOLT-ON SYSTEM



Note: Dyno graphs are for comparison use only. Actual results may vary depending on operating and motorcycle condition.



ACTUAL PRODUCT MAY VARY FROM IMAGES.



**THIS PRODUCT IS DESIGNED FOR USE IN CLOSED COURSE RACING AND IS NOT INTENDED FOR HIGHWAY USE.**



NOTE: IN THE STATE OF CALIFORNIA, IT IS ILLEGAL TO MODIFY THE EMISSION CONTROL SYSTEM, WHICH INCLUDES THE CARBURETORS OF ANY VEHICLE.

**Caution:** Exhaust system can be extremely hot. Let motorcycle cool down before beginning installation.

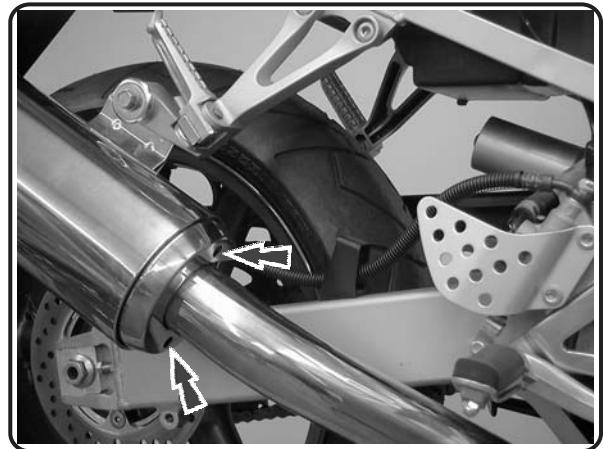
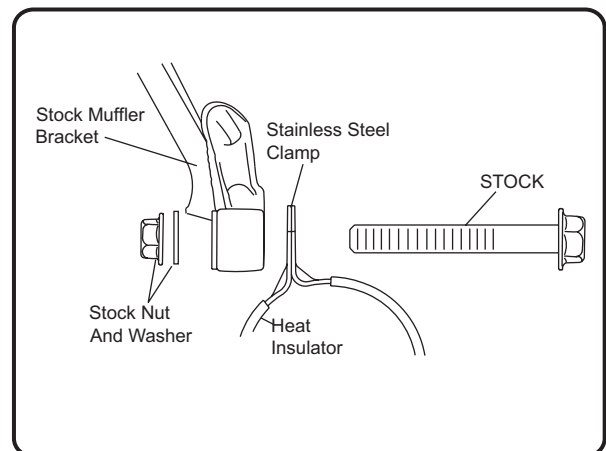
**Note:** Read through all instructions before beginning installation.

**Tools Needed:**

12mm and 14mm sockets  
3/8" ratchet and extension  
14mm wrench  
5mm Allen wrench  
Torque wrench

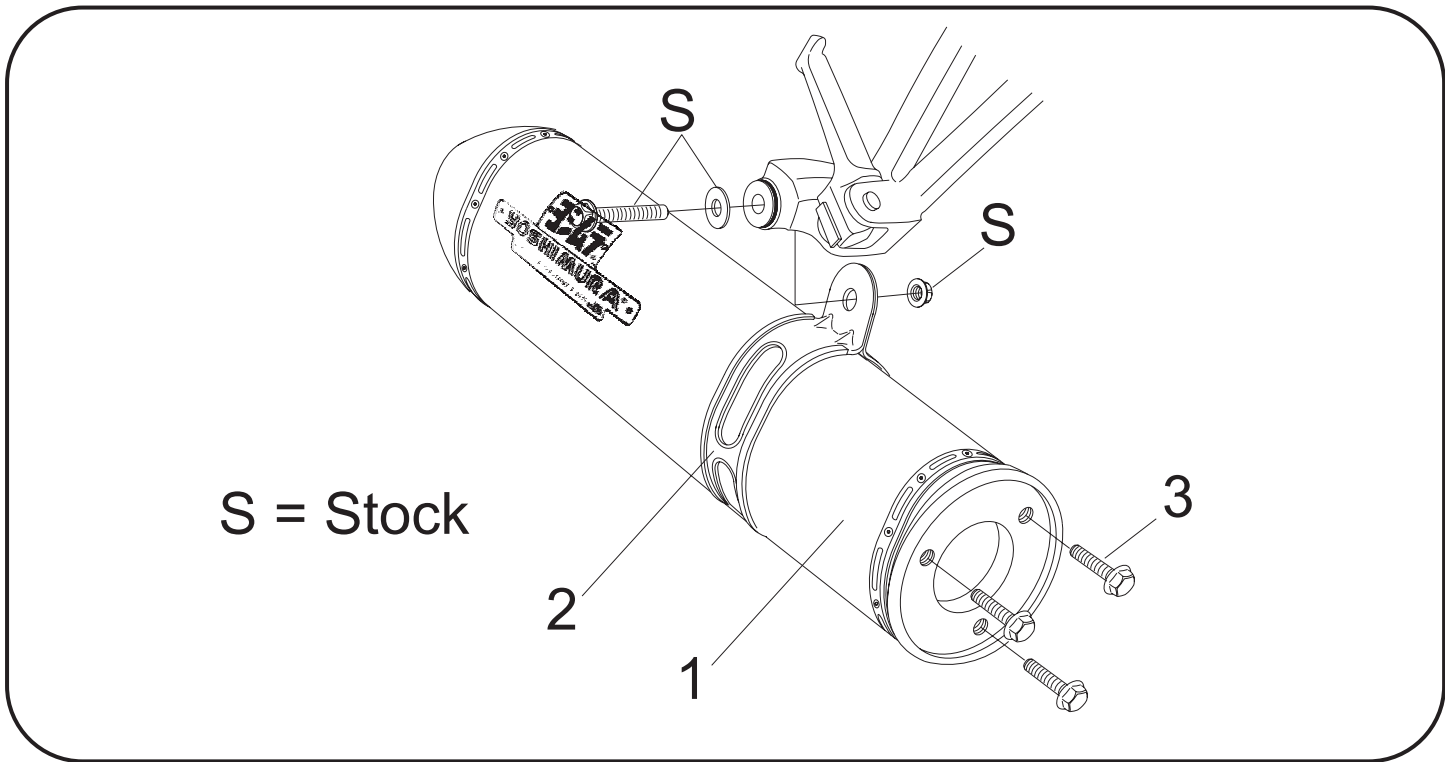
**Installation Steps:**

- 1 Remove stock muffler cover. ( See fig. 1 )
- 2 Remove stock muffler and gasket.
- 3 Install new muffler gasket.  
(Not supplied - Kawasaki part no. 11060-1213)
- 4 Install Yoshimura muffler using supplied bolts.  
Torque bolts to 2.3 kg-m (16.5 lb-ft).
- 5 Apply heat insulator to inside of muffler clamp and slide clamp onto muffler.  
(note direction of clamp in Fig. 2)
- 6 Mount clamp to stock muffler bracket using stock bolt, washer, and nut. (see Fig. 2)  
Torque bolt to 2.5 kg-m (18 lb-ft)
- 7 Reinstall stock muffler front cover using stock allen Head bolts.
- 8 Check for proper clearance between new muffler and motorcycle. (i.e. swing-arm, passenger foot-peg, rear wheel, etc.) If any problem is found, please carefully follow through the installation steps again. If problem still persists, please call Yoshimura tech. Dept. at (800)634-9166 / in CA (909)628-4722

**Fig. 1****Fig. 2**

**Note:** After starting motorcycle, it is normal for new exhaust system to smoke until oil residue burns off.

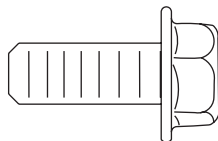
**PN: ZX90950-CE**



Parts Diagram

NO.	DESCRIPTION	QTY	PART #
1	RS-3 Oval Muffler Assembly	1	**
2	Stainless Oval Muffler Clamp Stainless Steel or Titanium Sleeve uses Carbon Fiber Sleeve uses	1	COS450S10ALX COS450S10AL
3	8mm x 20mm Flange Bolt	3	M8X20H
**	Low Volume Sound Insert	1	INS-15-K
**	Muffler Clamp Heat Insulator	1	HT SHLDTRS
**	Yoshimura Vinyl Sticker	1	17029

**Nuts and Bolts Guide (Actual Size):**



8mm x 20mm  
Flange Hex Bolt