



Fender Eliminator Kit

APPLICATION

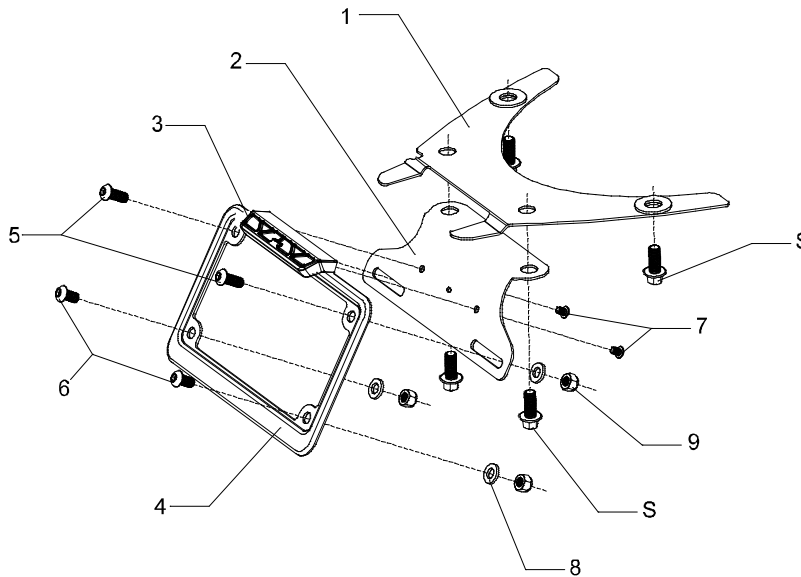
MAKE	MODEL
Suzuki	GSX1300R Hayabusa

PRODUCT

070BG112102	Fender Eliminator Kit
-------------	-----------------------



This product is not DOT approved. Yoshimura R&D of America, Inc. is not liable or responsible for any resulting event caused by the installation of this product. Check with local laws and regulations for compliance prior to installation and use. This product is not intended for use on public highways.



S = Stock

No.	Part #	Description	Qty
1	11210-FEB-00	Yoshimura Fender Eliminator Bracket	1
2	11210-FEBKT	Yoshimura License Plate Bracket	1
3	070BG-LH-K1	Yoshimura LED Fender Eliminator Light	1
4	070BG-LPF	Yoshimura License Plate Frame	1
5	M6X16BHS	6mm x 16mm Button Head Screw	2
6	M6X12BHS	6mm x 12mm Button Head Screw	2
7	M4X6BHS	4mm x 6mm Button Head Screw	2
8	6MMWASHER	6mm Washer	4
9	6MMLN	6mm Lock Nut	4
**	BN-SSS-22-18	Butt Connectors	2
**	17029	Yoshimura Sticker Sheet	1

-TOOLS REQUIRED-

Metric Socket Set • Combination Wrench Set • Metric Allen Wrench Set

-REMOVAL-

- 1. Remove passenger seat.**
- 2. Remove rear frame cover to access license plate light wires. Refer to Factory Service Manual or Owners Manual for proper disassembly.**
- 3. Disconnect license plate light wires.**
- 4. Remove the (4) bolts securing the stock fender assembly.**
- 5. Carefully remove stock fender assembly.**
- 6. Cut the stock license plate light connector from the stock fender assembly. Be sure to cut at least a 6" section of wire from the connector.**

-INSTALLATION-

- 1. Install Yoshimura fender eliminator bracket using stock bolts. See diagram for proper orientation.**
- 2. Install Yoshimura LED Fender Eliminator Light to license plate bracket.**
- 3. Assemble and install Yoshimura license plate frame and license plate bracket onto fender eliminator bracket using stock bolts and hardware provided in the kit. See diagram for orientation.**
- 4. Using the connectors provided in the kit, connect the Yoshimura Fender Eliminator wires to the stock license plate light as follows: Red wire goes to Brown; Black wire goes to Black/White wire.**
 - A) Strip the stock fender light wires ends $\frac{1}{4}$ " - $\frac{1}{2}$ " and insert into BN-SSS-22-18, butt connectors provided in the kit.**
 - B) Center the spliced wire ends in the middle and using a heat gun or lighter, apply heat evenly on the outer edges of the butt connector to shrink and hold wires in place.**
 - C) Making sure that the stripped ends are centered, heat the center of the butt connector evenly until the solder begins to liquify.**
 - D) Allow to cool completely and tug both ends of the wires to verify that connection is secured.**

Scan for link to butt connector instruction video.



- 5. Route wires underneath passenger seat and reconnect license plate light wires.**
- 6. Re-install rear frame cover using the reverse steps of removal.**
- 7. Re-install passenger seat.**

8. Check for function of license plate light and that all brackets and components are secure prior to riding.