



# YOSHIMURA

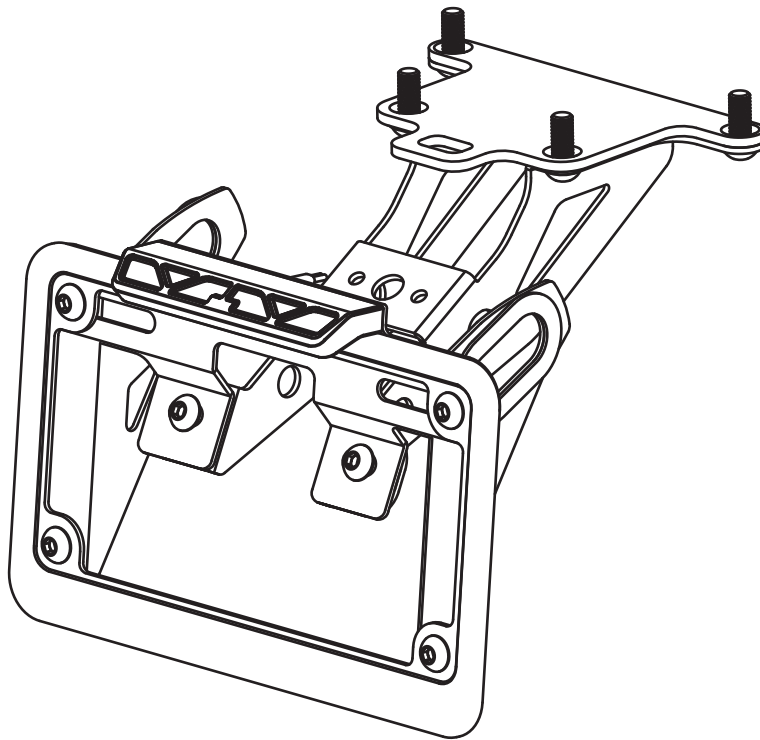
RESEARCH&DEVELOPMENT OF AMERICA, INC.

5420 DANIELS STREET STE A, CHINO CA., 91710 · (800)634-9166 · (909)628-4722 · FACSIMILE (909)591-2198

[www.yoshimura-rd.com](http://www.yoshimura-rd.com)

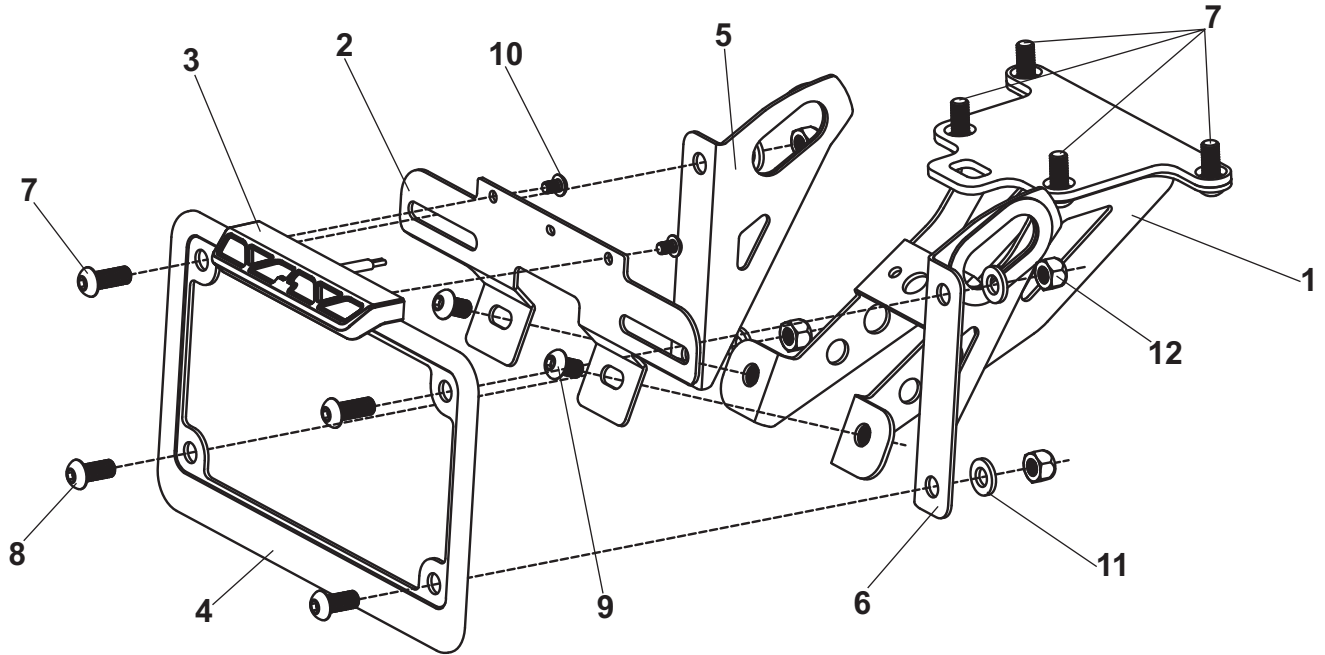
## **FENDER ELIMINATOR KIT**

**070BG118001**  
**Suzuki GSX-S750**



**THIS PRODUCT IS NOT DOT APPROVED.**  
Yoshimura R&D of America, Inc. is not liable or responsible for any resulting event caused by the installation of this product. Check with local laws and regulations for compliance prior to installation and use. This product is not intended for use on public highways.





No.	Item	Description	Qty.
1	11800-FEBKT	Fender Eliminator Bracket	1
2	12200-FEBKT	License Plate Bracket	1
3	070BG-LH-K1	LED License Plate Light	1
4	070BG-LPF	License Plate Frame	1
5	11800-TSB-L	Left Turn Signal Bracket	1
6	11800-TSB-R	Right Turn Signal Bracket	1
7	M6X16BHS	6mm x 16mm Button Head Screw	6
8	M6X14BHS	6mm x 14mm Button Head Screw	2
9	M6X10BHS	6mm x 10mm Button Head Screw	2
10	M4X6BHS	4mm x 6mm Button Head Screw	2
11	6MMWASHER	6mm Washer	4
12	6MMLN	6mm Nylon Lock Nut	4
**	BN-SSS-22-18	Butt Connectors	2
**	ZT-300	Cable Ties	3
**	17029	Yoshimura Sticker Sheet	1
<b>Optional Parts</b>			
***	070BGUNVTBKT	Universal Turn Signal Bracket Kit	

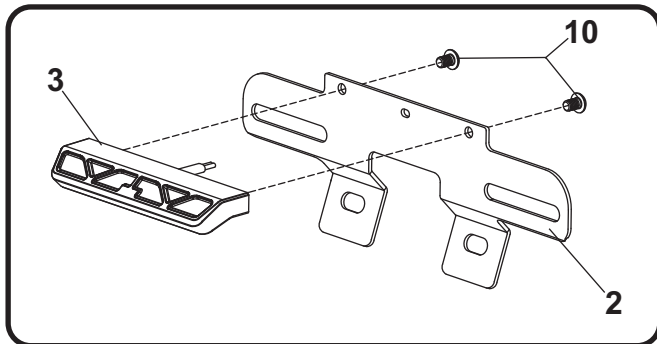
\*\*\* The Yoshimura Universal Turn Signal Bracket Kit is to be used with aftermarket stud-mounted turn signals and is sold separately.

## Removal

1. Remove passenger seat.
2. Locate and disconnect the license plate light and turn signal connectors.
3. While securely supporting the stock fender assembly, remove the four bolts securing the fender assembly to the frame. Carefully remove the stock fender assembly making sure not to damage the connectors in the process.
4. Separate the fender support bracket from the fender and remove the left and right turn signals.
5. Cut the stock license plate light connector from the stock fender assembly. Be sure to cut at least a 6" section of wire from the connector.

## Installation

1. Install (No. 3) *070BG-LH-K1*, Yoshimura license plate light onto (No. 2) *12200-FEBKT*, Yoshimura fender eliminator bracket using (No. 10) *M4X6BHS*, 4mm button head screws provided in the kit.



2. Using the *BN-SSS-22-18* butt connectors provided in the kit, connect the Yoshimura license plate light wires to the stock license plate light wires as follows:

Brown -to- Red  
Black/White -to- Black

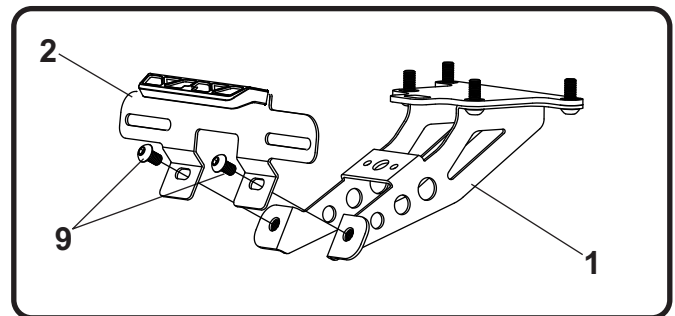
- a) Strip the stock fender light wire ends 1/4" - 1/2" and insert into *BN-SSS-22-18*, butt connectors provided in the kit.
- b) Center the spliced wire ends in the middle and using a heatgun or lighter, apply heat evenly on the outer edges of the butt connector to shrink and hold wires in place.

- c) Making sure that the stripped ends are centered, heat the center of the butt connector evenly until the solder begins to liquify.
- d) Allow to cool completely and tug both ends of the wires to verify that connection is secured.

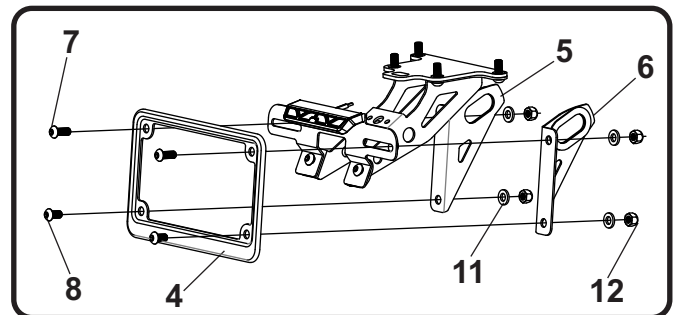
Scan for link to butt connector instruction video.



3. Install stock left and right turn signals onto (No. 5,6) *11800-TSB-L/R*, left and right turn signal brackets.



4. Install (No. 1) *11800-FEBKT*, fender eliminator bracket using the (No. 7) *M6X16BHS*, 6mm button head screws provided in the kit.
5. Install (No. 2) *12200-FEBKT*, license plate bracket onto (No. 1) *11800-FEBKT*, fender eliminator bracket using (No. 9) *M6X10BHS*, 6mm button head screws.



6. Install (No. 5,6) *11800-TSB-L/R*, left and right turn signal brackets and (No. 4) *070BG-LPF*, license plate frame using the (No. 7,8) *M6X16BHS* and *M6X12BHS*, 6mm button head screws as shown below.

7. Route license plate light and turn signal wires through the hole in (No. 1) *11800-FEBKT*, fender eliminator bracket and under passenger seat and re-connect.
8. Use the cable ties provided in the kit to secure license plate light and turn signal wires beneath passenger seat.
9. Re-install passenger seat.
10. Check for proper function of license plate light, turn signals, brake light, and that all brackets and components are secure prior to riding.