



# Fender Eliminator Kit

**APPLICATION**

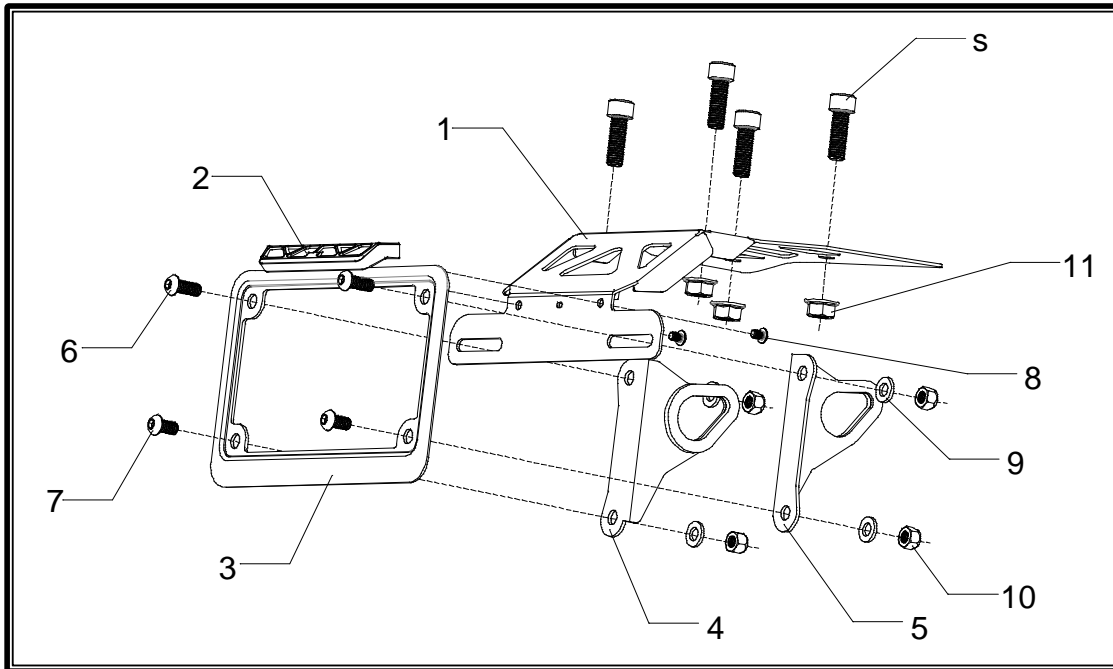
MAKE	MODEL
Yamaha	FZ1

**PRODUCT**

070BG132102	Fender Eliminator Kit
-------------	-----------------------



Yoshimura R&D is not liable or responsible for any resulting event caused by the installation of this product. Check with local laws and regulations for compliance prior to installation and use. This product is designed and specified for off-road applications only and is not intended for use on public highways.



No.	Part #	Description	Qty
1	13210-FEBKT	Yoshimura Fender Eliminator Bracket	1
2	070BG-LH-K1	LED License Plate Light	1
3	070BG-LPF	Yoshimura Aluminum License Plate Frame	1
4	13630-TSBL-00	Left Turn Signal Bracket	1
5	13630-TSBR-00	Right Turn Signal Bracket	1
6	M6X16BHS	6mm x 16mm Button Head Cap Screw	2
7	M6X14BHS	6mm x 14mm Button Head Cap Screw	2
8	M4X6BHS	4mm x 6mm Button Head Cap Screw	2
9	6MMWASHER	6mm Washer	4
10	6MMLN	6mm Lock Nut	4
11	8MMNUT	8mm Flange Nut	4
**	BN-SSS-22-18	Butt Connectors	2
**	ZT-200	Cable Ties	3
**	17029	Yoshimura Sticker Sheet	1
<i>Optional Parts (not incl.)</i>			
***	070BGUNVTBKT	Universal Turn Signal Bracket Kit	

**-TOOLS REQUIRED-**

*Metric Socket Set • Combination Wrench Set • Metric Allen Wrench Set*

**-REMOVAL-**

1. **Remove passenger seat and disconnect license plate light and turn signal connectors.**
2. **Remove stock fender by removing the (4) bolts securing fender assembly.**
3. **Remove stock turn signals from stock fender assembly.**
4. **Cut the stock license plate light connector from the stock fender. BE SURE TO CUT AT LEAST A 6" SECTION OF WIRE FROM THE CONNECTOR.**

**-INSTALLATION-**

1. **Install (070BG-LH-K1) LED license plate light onto (13210-FEBKT) fender eliminator bracket using the two (M4X6BHS) screws provided in the kit.**
2. **Using the connectors provided in the kit, connect the Yoshimura Fender Eliminator wires to the stock license plate light connector.**
  - A) **Strip the stock fender light wires ends ¼" - ½" and insert into BN-SSS-22-18, butt connectors provided in the kit.**
  - B) **Center the spliced wire ends in the middle and using a heat gun or lighter, apply heat evenly on the outer edges of the butt connector to shrink and hold wires in place.**
  - C) **Making sure that the stripped ends are centered, heat the center of the butt connector evenly until the solder begins to liquify.**
  - D) **Allow to cool completely and tug both ends of the wires to verify that connection is secured.**

**Scan for link to butt connector instruction video.**



3. **Install Yoshimura (13210-FEBKT) fender eliminator bracket as shown in the parts diagram using the stock bolts and (8MMNUT) nut supplied in the kit.**
4. **Install stock turn signals onto (13630-TSBL/R) Yoshimura turn signal brackets using the reverse steps of removal.**
5. **Assemble and install license plate frame, license plate, and turn signal brackets using the 6mm button head cap screws, washers, and nuts provided in the kit. See diagram for proper orientation and order of hardware.**
6. **Route wiring through hole in bracket, then through tail section to stock location. Connect license plate light connector and turn signal connectors to stock harness.**
7. **Re-install passenger seat.**

**8. Check for function of license plate light and that all brackets and pieces are secure prior to riding.**