



YOSHIMURA

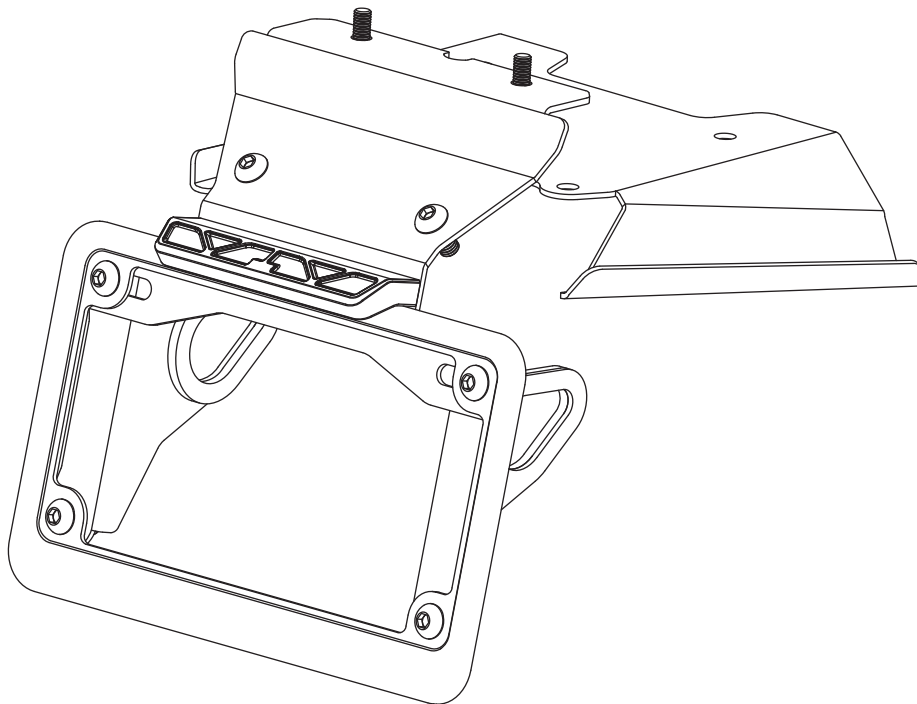
RESEARCH&DEVELOPMENT OF AMERICA, INC.

5420 DANIELS STREET STE A, CHINO CA., 91710 · (800) 634-9166 · (909) 628-4722 · FAX (909) 591-2198

www.yoshimura-rd.com

FENDER ELIMINATOR KIT

070BG137100
Yamaha Tenere 700

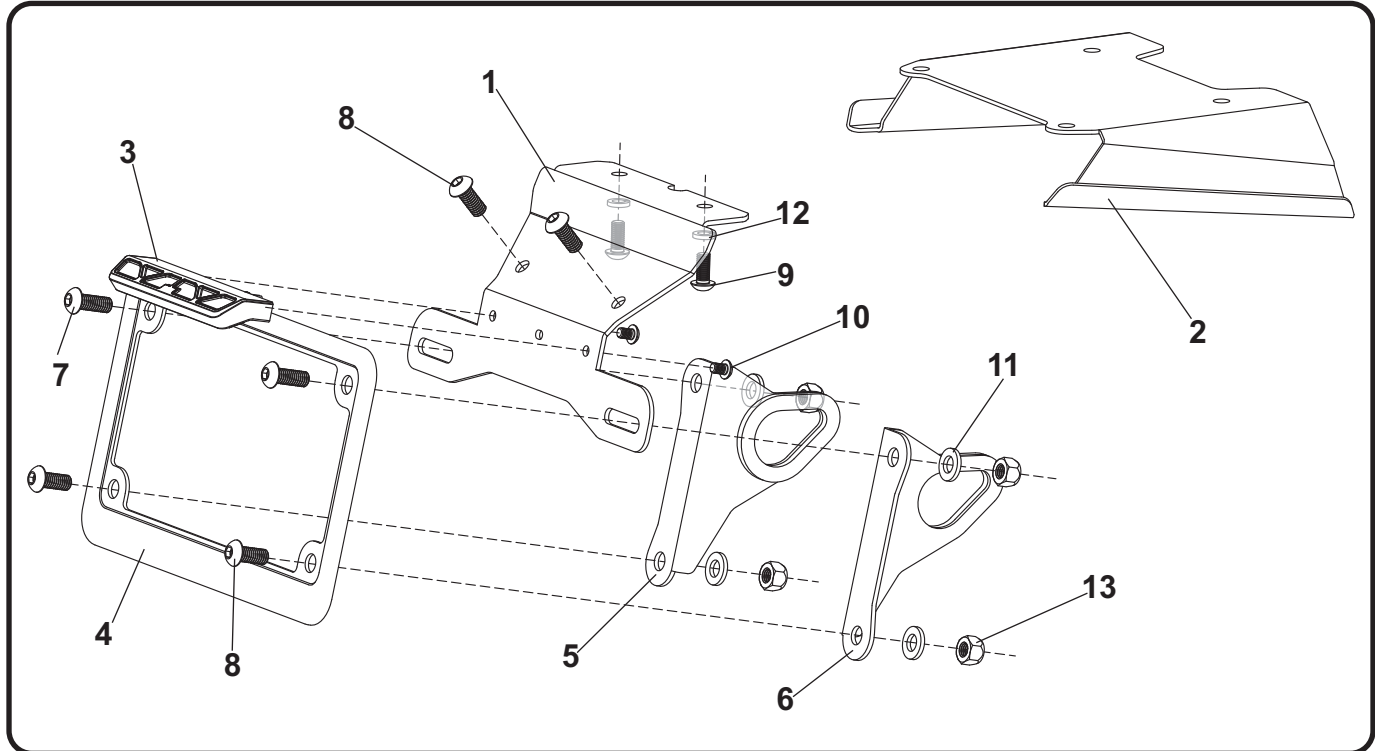


THIS PRODUCT IS NOT DOT APPROVED.

Yoshimura R&D of America, Inc. is not liable or responsible for any resulting event caused by the installation of this product. Check with local laws and regulations for compliance prior to installation and use. This product is not intended for use on public highways.



Assembly Diagram



No.	Item	Description	Qty.
1	13710-FEBKT-3	Fender Eliminator Bracket	1
2	13710-FEBKT-2	Fender Eliminator Bracket Cover	1
3	070BG-LH-K1	LED License Plate Light	1
4	070BG-LPF	License Plate Frame	1
5	13630-TSBL-00	Left Turn Signal Bracket	1
6	13630-TSBR-00	Right Turn Signal Bracket	1
7	M6X16BHS	6mm x 16mm Button Head Screw	2
8	M6X14BHS	6mm x 14mm Button Head Screw	4
9	M5X12BHS	5mm x 12mm Button Head Screw	2
10	M4X6BHS	4mm x 6mm Button Head Screw	2
11	6MMWASHER	6mm Washer	4
12	5MM-LCKWSH	5mm Split Lock Washer	2
13	6MMLN	6mm Nylon Lock Nut	4
**	BN-SSS-22-18	Solder Shrink Connectors	2
**	17100	Yoshimura Sticker Sheet	1
Optional Parts			
	<i>070BGUNVTBKT</i>	<i>Universal Turn Signal Bracket Kit</i>	
	<i>072BGLTSFK</i>	<i>Yoshimura LED Turn Signal Kit</i>	
	<i>072BGLTSFK-S</i>	<i>Yoshimura Sequential LED Turn Signal Kit</i>	
	<i>072BGLTSR</i>	<i>Yoshimura LED Turn Signal Kit w/ Relay</i>	
	<i>072BGLTSR-S</i>	<i>Yoshimura Sequential LED Turn Signal Kit w/ Relay</i>	
	<i>073BG-YAM-3</i>	<i>Yoshimura Plug-n-Play Turn Signal Adapter Wires</i>	

Removal

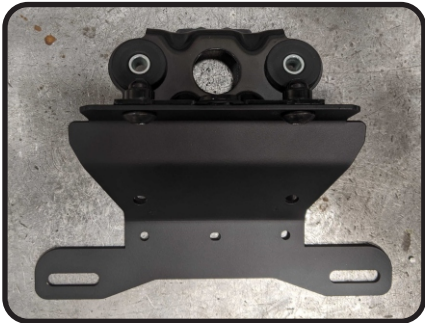
1. Remove passenger and rider seat.
2. Remove left and right side covers.
3. Remove the upper tail cover.
4. Locate and disconnect license plate light, turn signal, and tail light connectors.
5. While securely supporting the stock fender assembly, remove the four bolts securing the fender assembly to frame.
6. Disassemble the stock fender assembly and remove tail light and stock turn signals.

Note: The rear fender reinforcement and tail light bracket will be re-used with the Yoshimura fender eliminator kit.

7. Cut the stock license plate light connector from the stock fender assembly. Be sure to cut at least a 6" section of wire from the connector.

Installation

1. Install (No. 1) *13710-FEBKT-1*, fender eliminator bracket to the stock tail light bracket using (No. 9) *M5X12BHS*, 5mm screws and (No. 12) *5MM-LCKWWSH*, 5mm split lock washers.



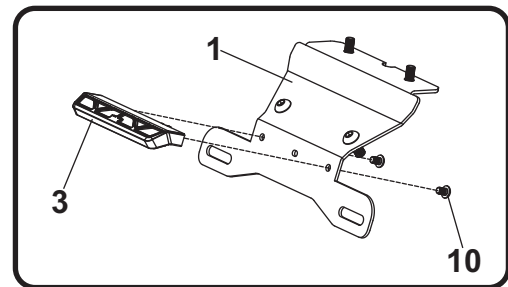
2. Install (No. 1) *13710-FEBKT-1*, fender eliminator bracket to stock rear fender reinforcement bracket using (No. 8) *M6X14BHS*, 6mm screws.



3. Re-install stock tail light onto tail light bracket.



4. Install (No. 3) *070BG-LH-K1*, led light onto (No. 1) *13710-FEBKT-1*, fender eliminator bracket using (No. 10). *M4X6BHS*, 4mm screws.



5. Using the *BN-SSS-22-18*, solder shrink connectors provided in the kit, connect Yoshimura license plate light wires to the stock license plate light wires as follows:

Red -to- Blue
Black -to- Black

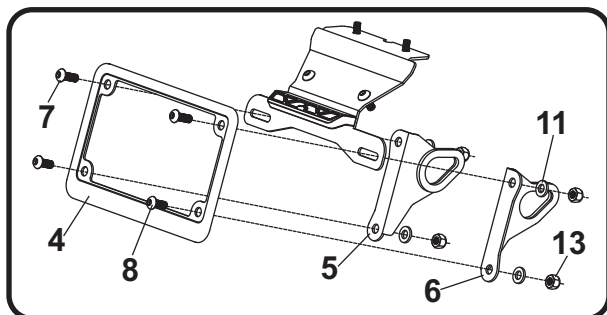
- a) Strip the stock fender light wire ends 1/4" - 1/2" and insert into *BN-SSS-22-18*, solder shrink connectors provided in the kit.
- b) Center the spliced wire ends in the middle and using a heatgun or lighter, apply heat evenly on the outer edges of the solder shrink connector to shrink and hold wires in place.

- c) Making sure that the stripped ends are centered, heat the center of the solder shrink connector evenly until the solder begins to liquify.
- d) Allow to cool completely and tug both ends of the wires to verify that connection is secured.

Scan for link to solder shrink connector instruction video.



- 6. Install the stock left and right turn signals onto (No. 5,6) *13630-TSBL/R-00*, turn signal brackets using the stock hardware.
- 7. Install (No. 5,6) *13630-TSBL/R-00*, turn signal brackets and (No. 4) *070BG-LPF*, license plate frame using the (No. 7,8) *M6X16BHS* and *M6X14BHS*, 6mm button head screws as shown in the diagram.



- 8. Route license plate light and turn signal wires between fender reinforcement and fender bracket.
- 9. While holding up (No. 2) *13710-FEBKT-2*, fender eliminator bracket cover to the undertail, install assembled fender eliminator bracket and reinforcement bracket to frame using the stock fender bolts as shown.



- 10. Route wires to stock location and reconnect license plate light, turn signal, and tail light connectors.
- 11. Re-install upper tail cover using reverse steps of removal.
- 12. Re-install left and right side covers.
- 13. Re-install rider and passenger seat.
- 14. Check for proper function of license plate light, turn signals, brake light, and that all brackets and components are secure prior to riding.