



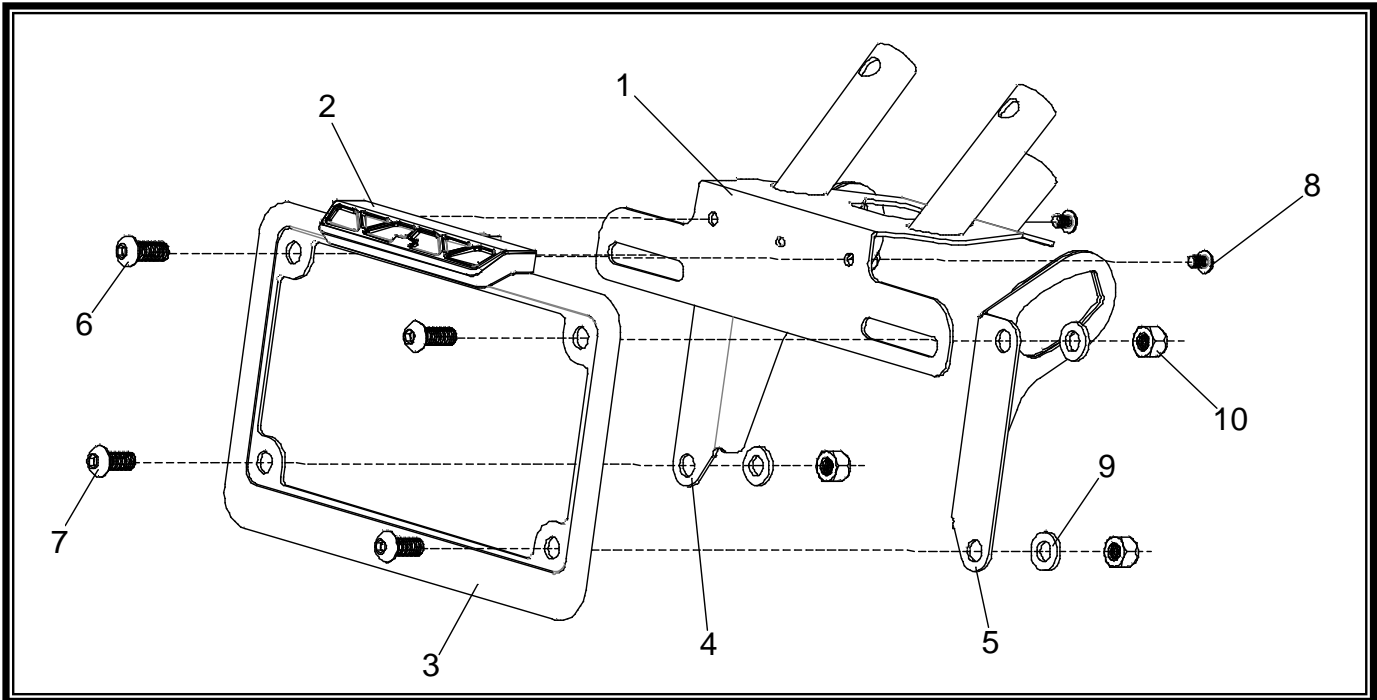
Fender Eliminator Kit

APPLICATION

MAKE	MODEL
Kawasaki	ZX10R
PRODUCT	
070BG141802	Fender Eliminator Kit



This product is not DOT approved. Yoshimura R&D of America, Inc. is not liable or responsible for any resulting event caused by the installation of this product. Check with local laws and regulations for compliance prior to installation and use. This product is not intended for use on public highways.



No.	Part #	Description	Qty
1	14180-FEBKT	Yoshimura Fender Eliminator Bracket	1
2	070BG-LH-K1	LED License Plate Light	1
3	070BG-LPF	Yoshimura Aluminum License Plate Frame	1
4	14650-TSL-BKT	Left Turn Signal Bracket	1
5	14650-TSR-BKT	Right Turn Signal Bracket	1
6	M6X16BHS	6mm x 16mm Button Head Screw	2
7	M6X14BHS	6mm x 14mm Button Head Screw	2
8	M4X6BHS	4mm x 6mm Button Head Screw	2
9	6MMWASHER	6mm Washer	4
10	6MMLN	6mm Lock Nut	4
**	ZT-400	Zip Ties	2
**	BN-SSS-22-18	Butt Connectors	2
**	17029	Yoshimura Sticker Sheet	1
<i>Optional Parts (not incl.)</i>			
***	070BGUNVTBKT	Universal Turn Signal Bracket Kit	

-TOOLS REQUIRED-

Metric Socket Set • Combination Wrench Set • Metric Allen Wrench Set

-REMOVAL-

- 1. Remove rear seat.**
- 2. Remove the (4) bolts holding rear seat cover.**
- 3. Disconnect license plate light, turn signal, and brake light connectors.**
- 4. Locate the (2) bolts securing the stock fender tube brackets in place and remove.**
- 5. Carefully slide stock fender assembly out toward the rear of the bike.**
- 6. Remove the turn signals from the stock fender assembly.**

-INSTALLATION-

- 1. Install (070BG-LH-K1) LED license plate light onto (14180-FEBKT) fender eliminator bracket using the provided (M4X6BHS) screws.**
- 2. Attach stock turn signals onto provided (14650-TSL/R-BKT) turn signal brackets.**
- 3. Install Yoshimura Fender Eliminator bracket by inserting the three mounting tubes in the stock location and re-install the (2) stock mounting bolts to secure into place.**
- 4. Cut off and remove 2" of the sleeve at the middle of the harness where the wires split off to each of the turn signals and to the rear license plate illumination light. Cut off the stock license plate illumination light wires 75mm away from the light.**
- 5. Install (14650-TSL/R-BKT) left and right turn signal brackets using the hardware provided in the kit. See diagram for proper orientation and order of hardware.**
- 6. Route license plate light and turn signal harness through stock opening in undertail cowling.**
- 7. Using the supplied butt connectors, connect the license plate illumination light wires to (070BG-LH-K1) LED license plate light as follows:**

Yoshimura FE Wire-----Stock Sub-harness

Red Wire-----Blue/Black

Black Wire-----Black/Yellow

- a) Strip the stock fender light wire ends ¼" – ½" and insert into BN-SSS-22-18, butt connectors provided in the kit.**
- b) Center the spliced wire ends in the middle and using a heatgun or lighter, apply heat evenly on the outer edges of the butt connector to shrink and hold wires in place.**
- c) Making sure that the stripped ends are centered, heat the center of the butt connector evenly until the solder begins to liquefy.**
- d) Allow to cool completely and tug both ends of the wires to verify that connection is secured.**

Scan for link to butt connector instruction video.



- 8. Re-connect turn signal wires.**
- 9. To prevent loose wires and/or connections, route and secure the wires inside the tail section using the provided cable ties from the kit.**
- 10. Re-install cowl cover and rear seat.**
- 11. Check for function of license plate light and turn signals and that all brackets and components are secure prior to riding.**