



YOSHIMURA

RESEARCH&DEVELOPMENT OF AMERICA, INC.

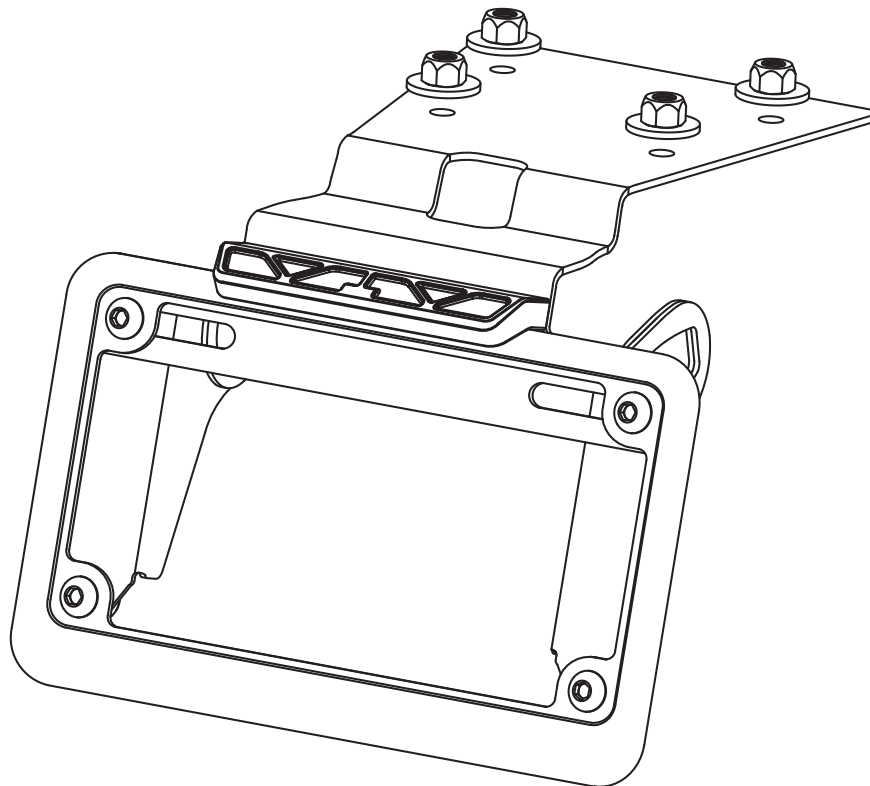
5420 DANIELS STREET STE A, CHINO CA., 91710 · (800) 634-9166 · (909) 628-4722 · FAX (909) 591-2198

www.yoshimura-rd.com

FENDER ELIMINATOR KIT

070BG143601

Kawasaki Versys-X 300

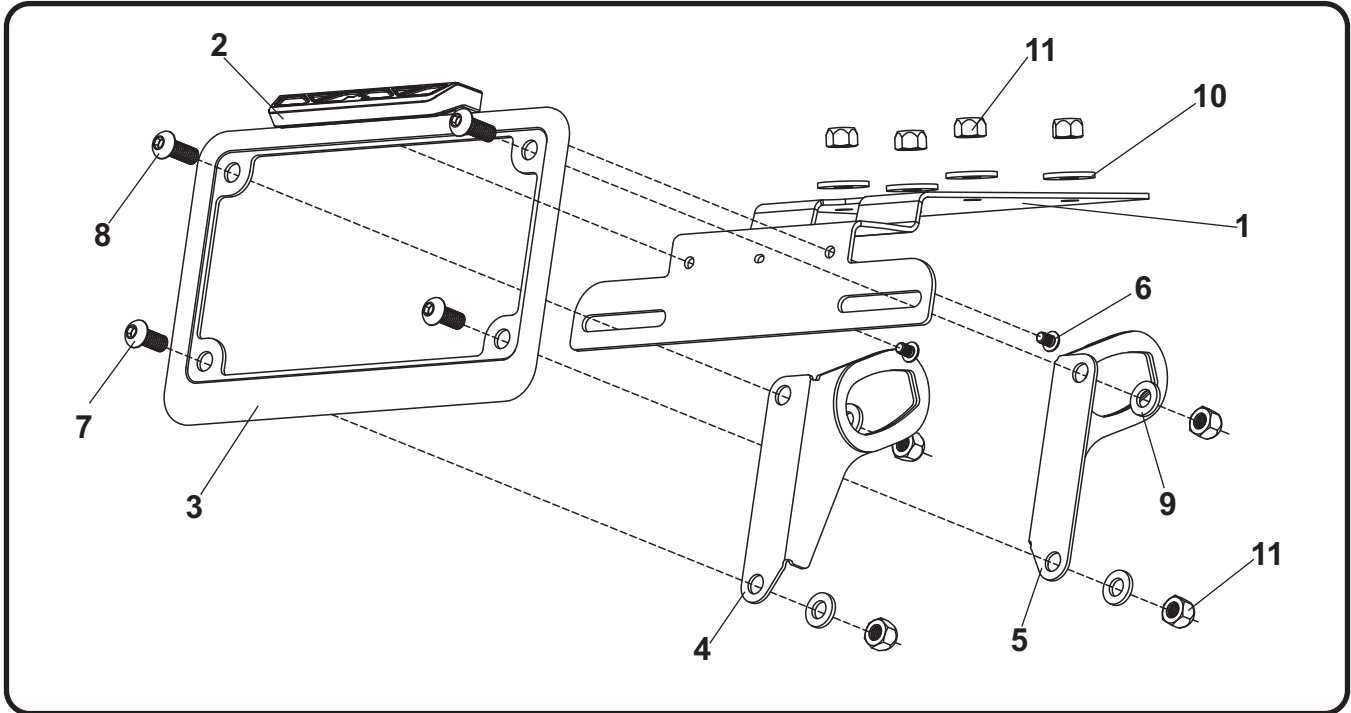


THIS PRODUCT IS NOT DOT APPROVED.

Yoshimura R&D of America, Inc. is not liable or responsible for any resulting event caused by the installation of this product. Check with local laws and regulations for compliance prior to installation and use. This product is not intended for use on public highways.



Assembly Diagram



No.	Item	Description	Qty.
1	14360-FEBKT	Fender Eliminator Bracket	1
2	070BG-LH-K1	LED License Plate Light	1
3	070BG-LPF	License Plate Frame	1
4	14650-TSL-BKT	Left Turn Signal Bracket	1
5	14650-TSR-BKT	Right Turn Signal Bracket	1
6	M4X6BHS	4mm X 6mm Button Head Screw	2
7	M6X14BHS	6mm X 14mm Button Head Screw	2
8	M6X16BHS	6mm X 16mm Button Head Screw	2
9	6MMWASHER	6mm Washer	4
10	6MMWASHERL	6mm Large Washer	4
11	6MMLN	6mm Nylon Lock Nut	8
**	ZT-200	Cable Ties	2
**	17029	Yoshimura Sticker Kit	1
**	BN-SSS-22-18	Butt Connectors	2
Optional Parts			
***	070BGUNVTBKT	Universal Turn Signal Bracket Kit	

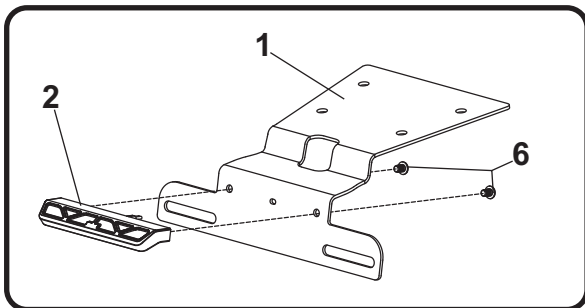
*** The Yoshimura Universal Turn Signal Bracket Kit is to be used with aftermarket stud-mounted turn signals and is sold separately.

Removal

1. Remove rider seat.
2. Remove right rear seat cover to access license plate light and turn signal connectors.
3. Locate and disconnect license plate light and turn signal connectors.
4. Remove seat latch bracket assembly to access rear fender bolts.
5. While securely supporting the stock fender assembly, remove the four bolts securing the fender assembly to the frame. Carefully remove the stock fender assembly making sure not to damage the connectors in the process.
6. Disassemble the stock fender assembly and remove the left and right turn signals.
7. Cut the stock license plate light connector from the stock fender assembly. Be sure to cut at least a 6" section of wire from the connector.

Installation

1. Install (No. 2) *070BG-LH-K1*, Yoshimura license plate light onto (No. 1) *14360-FEBKT*, Yoshimura fender eliminator bracket using (No. 6) *M4X6BHS*, 4mm button head screws.



2. Using the *BN-SSS-22-18*, butt connectors supplied in the kit, connect the Yoshimura license plate light wires to the stock license plate light wires as follows:

Red -to- Red
Black/Yellow -to- Black

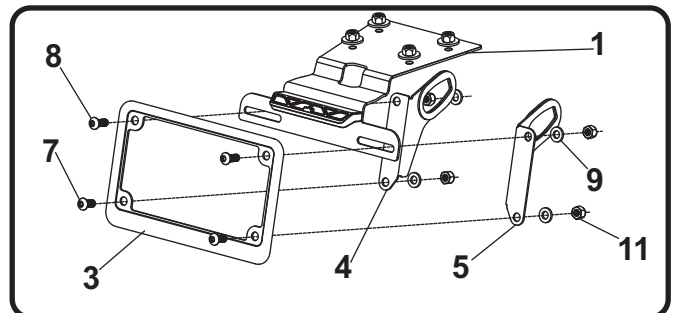
- a) Strip the stock fender light wire ends 1/4" - 1/2" and insert into *BN-SSS-22-18*, butt connectors provided in the kit.

- b) Center the spliced wire ends in the middle and using a heatgun or lighter, apply heat evenly on the outer edges of the butt connector to shrink and hold wires in place.
- c) Making sure that the stripped ends are centered, heat the center of the butt connector evenly until the solder begins to liquify.
- d) Allow to cool completely and tug both ends of the wires to verify that connection is secured.

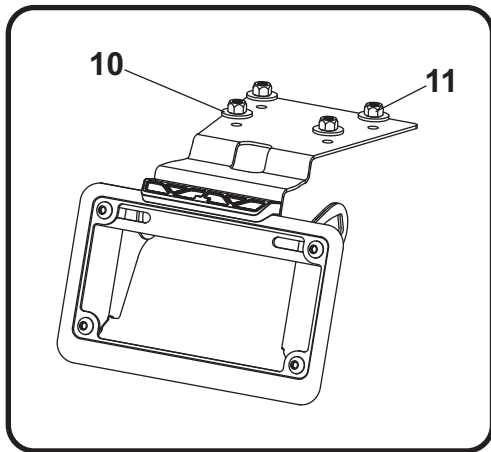
Scan for link to butt connector instruction video.



3. Using the stock hardware, install left and right turn signals onto (No. 4,5) *14650-TSL/R-BKT*, left and right turn signal brackets.
4. Assemble and install (No. 3) *070BP-LPF*, license plate frame and (No. 4,5) *14650-TSL/R-BKT*, turn signal brackets to (No. 1) *14360-FEBKT*, fender eliminator bracket using (No. 7,8) *M6X14BHS* & *M6X16BHS*, 6mm screws, (No. 9) *6MMWASHER*, 6mm washer and (No. 11) *6MMLN*, 6mm nylon lock nut as shown.



5. Route license plate light and turn signal wires through the hole in (No. 1) *14360-FEBKT*, fender eliminator bracket and through undertail.
6. Install the stock fender bolts from the bottom and secure (No. 1) *14360-FEBKT*, assembled fender eliminator to frame using (No. 10) *6MMWASHERL*, 6mm large washer, and (No. 11) *6MMLN*, 6mm nylon lock nut.



7. Re-install the seat latch bracket assembly.
8. Re-connect license plate light and turn signal connectors. Route wires in stock location and use supplied cable ties to secure excess wires beneath the seat.
9. Re-install right rear seat cover and rider seat.
10. Check for proper function of license plate light, turn signals, brake light, and that all brackets and components are secure prior to riding.