



● Thank you for purchasing **LED flash relay**. Before installing, please check the instruction carefully.

## ⚠ Notice

- For installation, please follow the steps described in manual. Any damage caused by wrong installation shall be imputed to the users.
- To avoid the short circuit, please don't pull the wire when installing. Don't break or modify the wire terminal.
- Do not disassemble or change any parts excluding the manual description. ◦
- The interior examination or maintenance should be executed by our professionals.

## MARK MEANING:

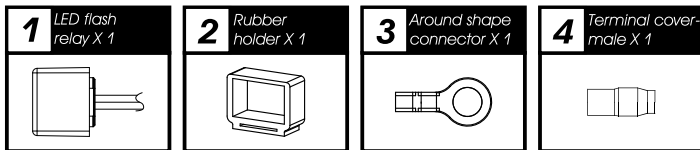
**NOTE** You could get the installation details from the information behind the mark.

⚠ Some processes must be followed to avoid the affection acused by wrong installation.

**WARNING!** Some processes must be followed to avoid damages to yourself or the public.

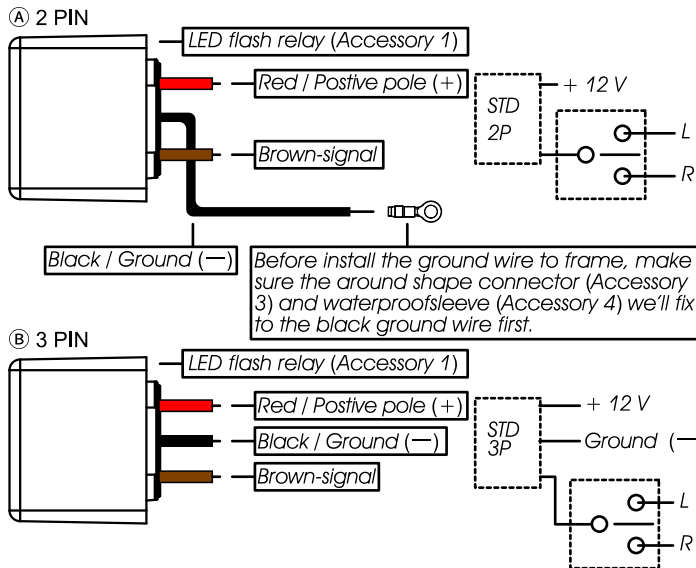
**CAUTION!** Some processes must be followed to avoid the damage to the vehicle.

## 1 Accessory



**NOTE** Please contact the local distributor if the items you open are not the same, with the above-listed one.

## 2 Wiring installation instructions



⚠ Be sure to take original flash relay out from bike after install new relay.

⚠ If the flash relay can not work properly. Please try to change red / brown position and try again.

Main switch wiring reference:

	Power	Key on	Ground		Power	Key on	Ground
<b>YAMAHA</b>	Red	Brown	Black	<b>KYMCO</b>	Red	Black	Green
<b>HONDA</b>	Red	Red / Black	Green	<b>SYM</b>	Red	Black	Green
<b>SUZUKI</b>		Black	Green	<b>PGO</b>	Red / White	Orange	Black
<b>KAWASAKI</b>	White	Brown	Black/yellow				

**NOTE** The color listed above may differ depending on the model.