



# YOSHIMURA

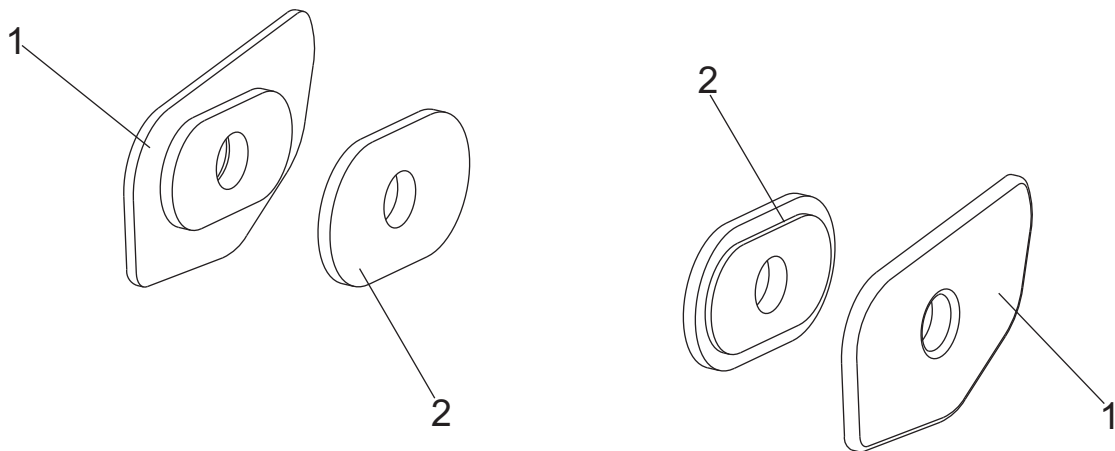
RESEARCH&DEVELOPMENT OF AMERICA, INC.

5420 DANIELS STREET STE A, CHINO CA., 91710 · (800) 634-9166 · (909) 628-4722 · FAX (909) 591-2198

[www.yoshimura-rd.com](http://www.yoshimura-rd.com)

## **TURN SIGNAL ADAPTER PLATES**

### **Honda ADV 150 073BG121530**



No.	Item	Description	Qty.
1	-	Front Turn Signal Plate, Outside	2
2	-	Front Turn Signal Plate, Inside	2
<b>Optional Accessories</b>			
	072BGLTSFK	Yoshimura LED Front Turn Signal Kit	
	072BGLTSFK-S	Yoshimura Sequential LED Front Turn Signal Kit	
	072BGLTSR	Yoshimura LED Rear Turn Signal Kit	
	072BGLTSR-S	Yoshimura Sequential LED Rear Turn Signal Kit	
	073BG-HON-1	Yoshimura Plug-and-Play Turn Signal Wire Adapter	

**IMPORTANT:** Installation of this product requires the use of aftermarket M8 mounted turn signals.  
Not compatible with stock turn signals.

## Removal

1. Follow steps in factory service manual or owners manual to remove left and right side covers.

Note: Be sure all push-clips have been removed and gently pull side covers outward to release the snap fit clips.

2. Locate and disconnect left and right turn signal connectors.
3. Remove the turn signal holder screws and the turn signal collars to remove turn signals from side covers.

## Installation

1. Insert outside turn signal plate and inside turn signal plate onto the side cover and install aftermarket turn signal. Secure using turn signal washer and nut.

2. Re-connect turn signals.

Note: 073BG-HON-1 turn signal adapter wires are available for purchase separately for direct plug-and-play alternative with Yoshimura LED turn signals.

3. Re-install left and right side covers using opposite steps of removal.
4. Check for proper function of turn signals and that all components are secure prior to riding. Adjust turn signal rotation as needed and tighten turn signal nut.

