



YOSHIMURA

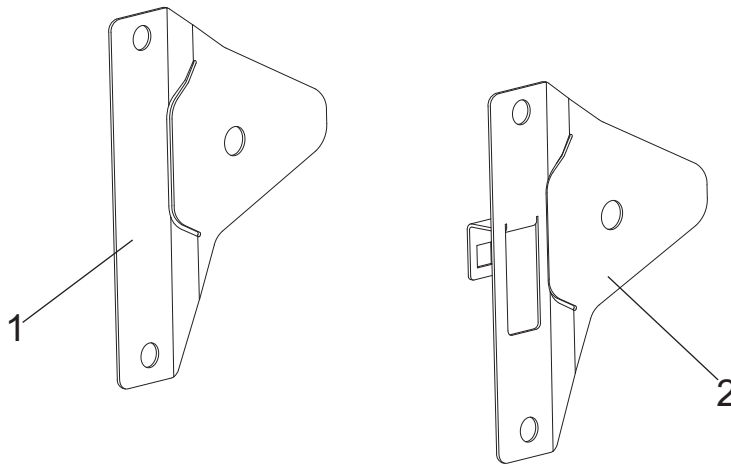
RESEARCH&DEVELOPMENT OF AMERICA, INC.

5420 DANIELS STREET STE A, CHINO CA., 91710 · (800) 634-9166 · (909) 628-4722 · FAX (909) 591-2198

www.yoshimura-rd.com

TURN SIGNAL ADAPTER PLATES

2021 Honda Trail 125 073BG121600



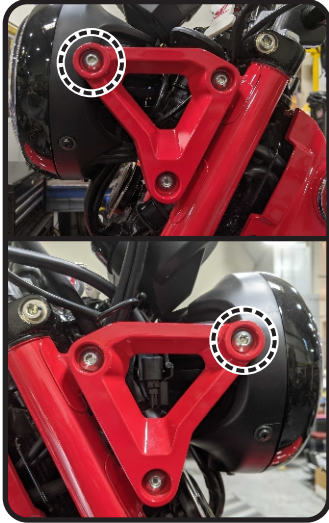
No.	Item	Description	Qty.
1	073BG12160-L	Turn Signal Adapter Plate, LH	1
2	073BG12160-R	Turn Signal Adapter Plate, RH	1
**	17100	Sticker Sheet	1
Optional Accessories			
	072BGLTSFK	Yoshimura LED Turn Signal Kit	
	072BGLTSFK-S	Yoshimura Sequential LED Turn Signal Kit	
	072BGLTSR	Yoshimura LED Turn Signal Kit w/ Relay	
	072BGLTSR-S	Yoshimura Sequential LED Turn Signal Kit w/ Relay	
	073BG-HON	Yoshimura Plug-and-Play Turn Signal Wire Adapter	
	KK000106	Diode Kit	

** Not shown on diagram.

IMPORTANT: Installation of this product requires the use of aftermarket M8 mounted turn signals.
Not compatible with stock turn signals.

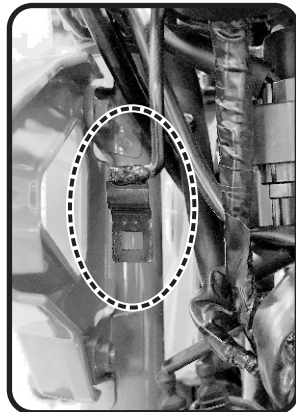
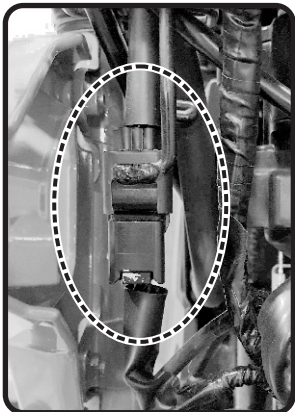
Removal

1. While securely supporting the stock headlight assembly, remove the two bolts securing headlight to bracket.



2. Disassemble headlight lens from back cover. Locate and disconnect left and right turn signal connectors inside headlight assembly.
3. Remove stock left and right turn signals from handlebar.
4. Remove left and right triangle headlight brackets.
5. Unclip right handlebar switch assembly connector from frame mount.

Note: The connector will be relocated onto the Yoshimura turn signal plate.

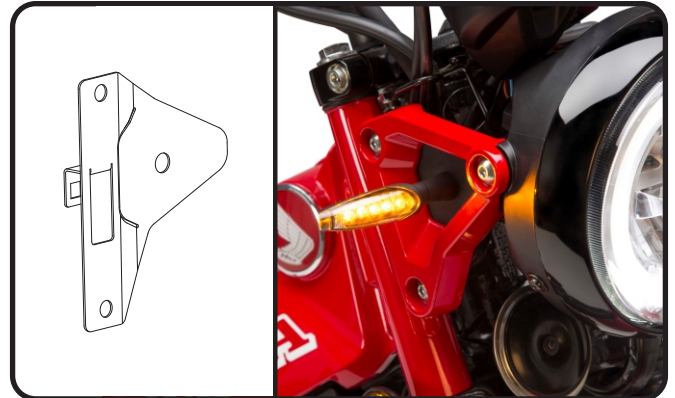


Installation

1. Install right side turn signal plate and right triangle headlight bracket using the two stock headlight bracket bolts.

Note¹: The turn signal adapter plate mounts between the triangle headlight bracket and bracket mount.

Note²: The tab for the right control assembly connector should face down.



2. Install aftermarket turn signal onto turn signal adapter plate.
3. Clip the right handlebar switch assembly connector onto the tab on right turn signal plate.
4. Repeat Step 1 & 2 for left side.
5. Route turn signal wires through headlight housing and reconnect left and right turn signal connectors.

Note¹: 073BG-HON turn signal adapter wires are available for purchase separately for direct plug-and-play alternative with Yoshimura LED turn signals.

Note²: A diode and relay will be required for proper function of turn signals and is sold separately.

6. Re-assemble headlight assembly and re-install headlight onto headlight bracket using opposite steps of removal.
7. Adjust and re-aim headlight as necessary.
8. Check for proper function of headlight and turn signals and that all components are secure prior to riding.