



YOSHIMURA

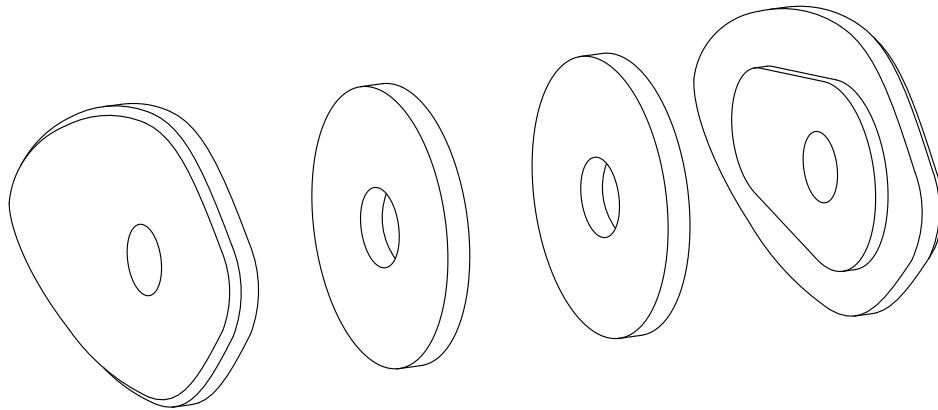
RESEARCH&DEVELOPMENT OF AMERICA, INC.

5420 DANIELS STREET STE A, CHINO CA., 91710 · (800) 634-9166 · (909) 628-4722 · FAX (909) 591-2198

www.yoshimura-rd.com

REAR TURN SIGNAL ADAPTER PLATES

Honda CRF300L Rally **073BG123410**



No.	Item	Description	Qty.
1	073BG123410	Rear Turn Signal Plate, Outside	2
2	8MMWASHER XL	8mm Washer XL, Inside	2
OPTIONAL RECOMMENDED ACCESSORIES			
	073BG-HON	Yoshimura PLUG-N-PLAY Turn Signal Adapters	
	072BGLTSFK-S	Yoshimura Sequential LED Turn Signal Kit	
	072BGLTSFK	Yoshimura LED Turn Signal Kit	

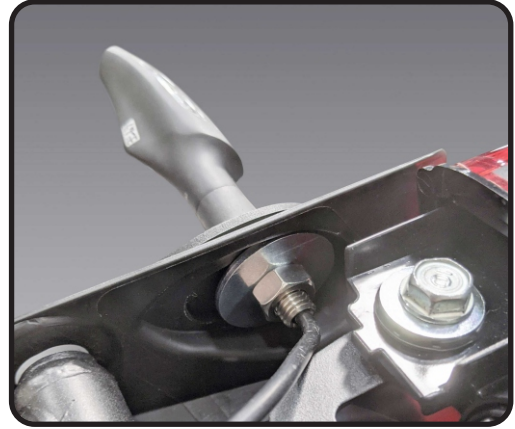
IMPORTANT: Installation of this product requires the use of aftermarket M8 mounted turn signals.
Not compatible with stock turn signals.

Removal

1. Using the Owners/ Service Manual remove the seat and upper rear fender to gain access to the rear turn signal connectors.
2. Locate and disconnect left and right turn signal connectors.
3. Remove the two turn signal holder screws located on the backside of the turn signals.
4. Disassemble and remove turn signals.

Installation

1. Insert outside turn signal plate and washer onto the turn signal holder and install aftermarket turn signal. Secure using washer and nut.



2. Repeat steps for opposite side.
3. Reconnect turn signal connectors.
4. Check for proper function of turn signals and that all components are secure prior to riding. Adjust turn signal rotation as needed and tighten turn signal nut.
5. Re-install fender and seat using opposite steps of removal.

