



YOSHIMURA

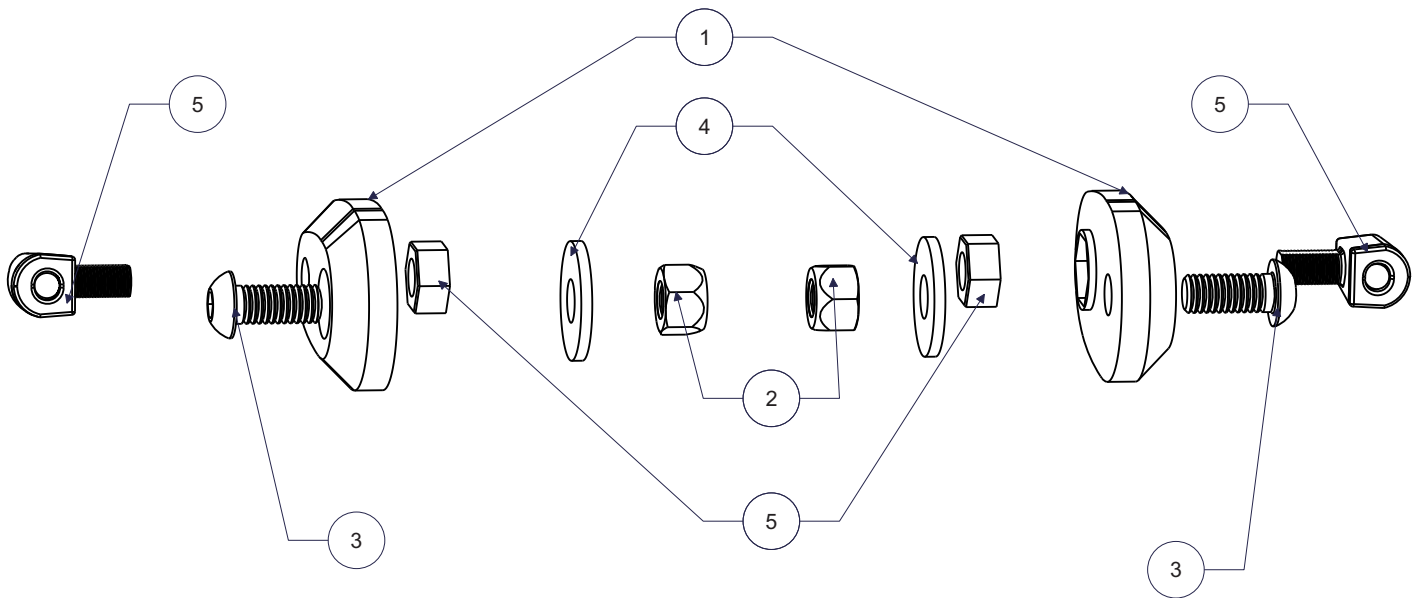
RESEARCH&DEVELOPMENT OF AMERICA,

5420 DANIELS STREET STE A, CHINO CA., 91710 · (800) 634-9166 · (909) 628-4722 · FAX (909) 591-2198

www.yoshimura-rd.com

MICRO TURN SIGNAL ADAPTER PLATES

SUZUKI GSX-8R 074BG117200



No.	Item	Description	Qty.
1	074BG117200-B	Front Turn Signal Plate	2
2	6MMLN	M6 X 1.0 Nylon Lock Nut	2
3	M6X14BHS	6mm X 14mm Button Head Cap Screw	2
4	6MMWASHERL	6mm Flat Washer - Large	2
5	072BGMICRTSR	YRD Micro Combo LED Trn Sgn Kit	1

Removal

1. Follow steps in factory service / owners manual to remove left and right side fairings. Before removing fairings, locate and disconnect left and right front turn signal connector.
2. Remove the turn signal nut, hat washer, and carefully remove the stock turn signals from left and right side fairing.



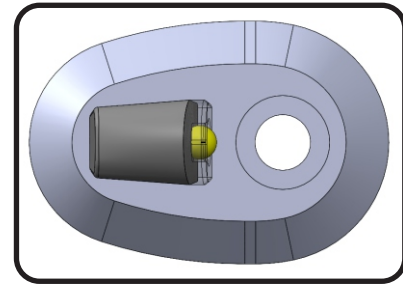
3. Cut the stock turn signal wires 4" from the male connector of the stock turn signal wire, not the harness.

Installation

1. Place the micro turn signal in the smaller hole and plastic hex nut inside the pocket of 074BG117200-B, front turn signal plate.

Note: Proper positioning of the micro turn signal in the adapter plate is dependent on the orientation of the plastic nut. If the turn signal is not facing forwards, rotate the plastic nut in the adapter plate pocket and try again until turn signal is facing forward.

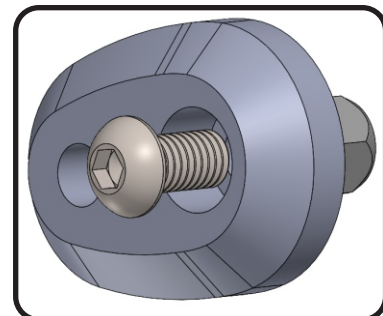
Right Side Example Shown



2. Insert the turn signal plate onto the outside of the fairing where the stock turn signal was removed. Secure using M6X14BHS screw, 6MMWASHERL washer, and 6MMLN locking nut.

(**Right side fairing example shown below**)

Note: Ensure that both the button head cap screw goes in the smaller hole of the fairing and that the washer goes on the INSIDE of the fairing.



Using the solder shrink connectors supplied in the micro turn signal kit, connect turn signal wires to micro light wires as follows:

Right:

Black and White - Black
Green - Blue

Left:

Black and White - Black
Black - Blue

- a) Strip the stock turn signal wire ends 1/4" - 1/2" and insert into *BN-SSS-22-18*, solder shrink connectors provided in the kit.
- b) Center the spliced wire ends in the middle and using a heat gun or lighter, apply heat evenly on the outer edges of the solder shrink connector to shrink and hold wires in place.
- c) Making sure that the stripped ends are centered, heat the center of the solder shrink connector evenly until the solder begins to liquify.
- d) Allow to cool completely and tug both ends of the wires to verify that connection is secured.

Scan the QR code below for link to solder shrink connector instruction video.



Scan QR code on the micro turn signal packaging for wiring diagram.

Note¹: The white running light wire and red brake light wire on the micro signals will not be used. Bundle back up and tuck away.

Note²: A red front light is prohibited in most states. Check with local laws and regulations prior to installation.

3. Re-connect the turn signal connector to the wiring harness.
4. Repeat steps for the opposite side.
5. Reinstall fairings using the reverse steps of removal.
6. Check for proper function of turn signals and that all components are secure prior to riding.