



YOSHIMURA

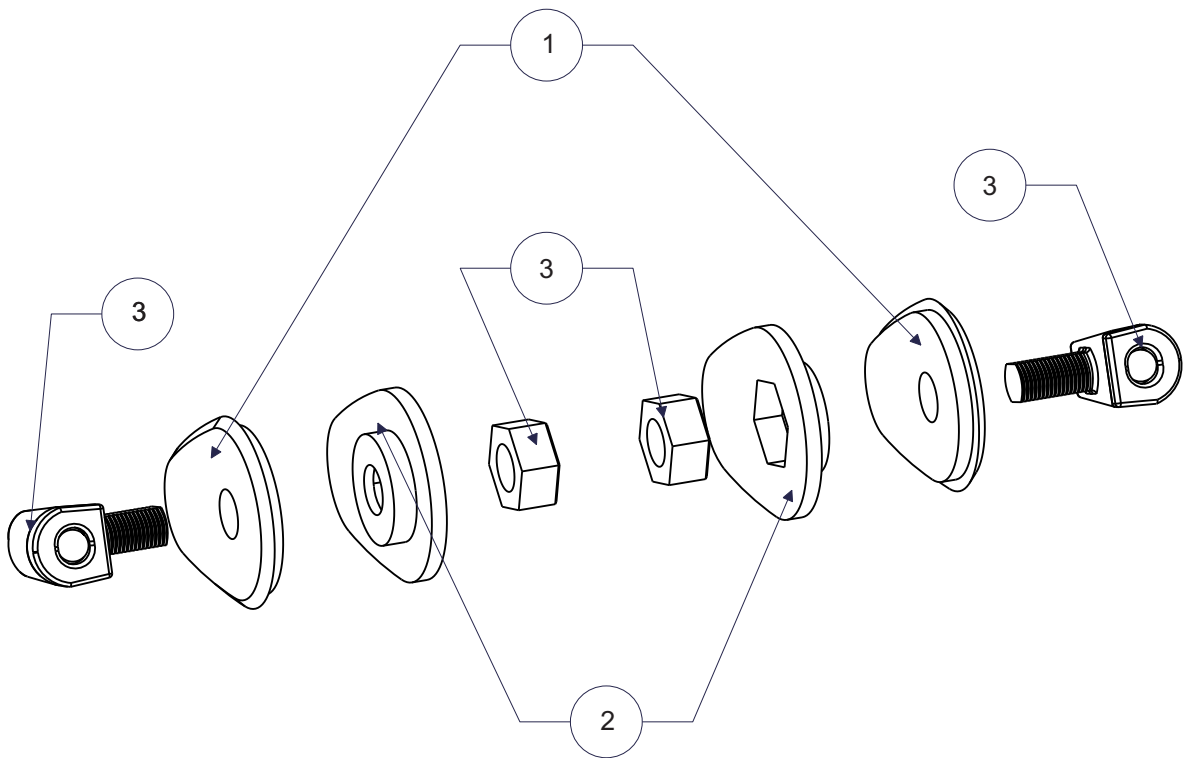
RESEARCH&DEVELOPMENT OF AMERICA, INC.

5420 DANIELS STREET STE A, CHINO CA., 91710 · (800) 634-9166 · (909) 628-4722 · FAX (909) 591-2198

www.yoshimura-rd.com

MICRO TURN SIGNAL ADAPTER PLATES

Yamaha Tenere 700 074BG137100



No.	Item	Description	Qty.
1	074BG137100-OUT	Outer Turn Signal Plate	2
2	074BG137100-IN	Inner Turn Signal Plate	2
3	072BGMICRTSR	YRD Micro Combo LED Trn Sgn Kit	1

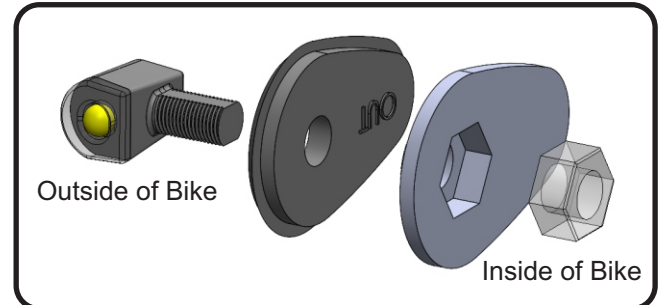
Removal

1. Remove the three outer bolts of the side fairing.
2. Remove the three black push pins near the radiator on the inside of the fairing.
3. While supporting the front cowling, locate and disconnect front turn signal connectors and carefully remove the fairing.
4. Repeat for the other side.
5. Remove left and right turn signals from the fairings.
6. Cut the stock turn signal's wires 4" from the male connector.

Note: Daytime Running Light functionality will be lost with the micro turn signals. Factory Daytime Running Light wires are blue for both the left and right side.

Installation

1. Insert turn signal plates onto frontside and backside of front cowling where the stock turn signal was removed and install the micro turn signal. Secure using micro turn signal and plastic locking nut.



RIGHT SIDE EXAMPLE SHOWN

Note: Proper positioning of the micro turn signal in the adapter plate is dependent on the orientation of the plastic nut. If the turn signal is not facing forwards, rotate the plastic nut in the inner adapter plate pocket and try again until the turn signal is facing forward.

2. Using the solder shrink connectors supplied in the micro turn signal kit, connect turn signal wires to micro light wires as follows:

Black (Stock signal wire) - Black
Red (Stock signal wire) - Blue

- a) Strip the stock turn signal wire ends 1/4" - 1/2" and insert into *BN-SSS-22-18*, solder shrink connectors provided in the kit.
- b) Center the spliced wire ends in the middle and using a heat gun or lighter, apply heat evenly on the outer edges of the solder shrink connector to shrink and hold wires in place.
- c) Making sure that the stripped ends are centered, heat the center of the solder shrink connector evenly until the solder begins to liquify.
- d) Allow to cool completely and tug both ends of the wires to verify that connection is secured.

Scan the QR code for link to solder shrink connector instruction video.

Note: Daytime Running Light functionality will be lost with the micro turn signals.



Scan QR code on the micro turn signal packaging for the wiring diagram.

Note¹: The white running light wire and red brake light wire on the micro signals will not be used. Bundle back up and tuck away.

Note²: A red front light is prohibited in most states. Check with local laws and regulations prior to installation.

3. Re-connect the turn signal connector to the wiring harness.
4. Repeat steps for the opposite side.
5. Reinstall fairings using the reverse steps of removal.
6. Check for proper function of turn signals and that all components are secure prior to riding.
7. Repeat steps for opposite side.
8. Re-install left and right front cowling and re-connect turn signal connectors.
9. Check for proper function of turn signals and that all components are secure prior to riding.