



YOSHIMURA

RESEARCH&DEVELOPMENT OF AMERICA, INC.

5420 DANIELS STREET STE A, CHINO CA., 91710 · (800) 634-9166 · (909) 628-4722 · FAX (909) 591-2198

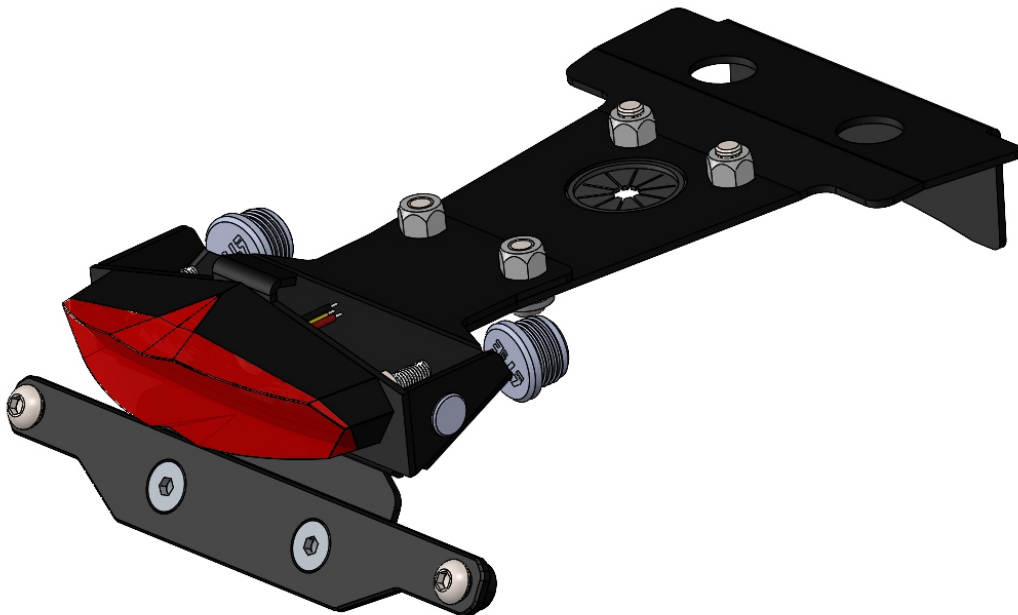
www.yoshimura-rd.com

FENDER ELIMINATOR KIT

075BG131251

Yamaha

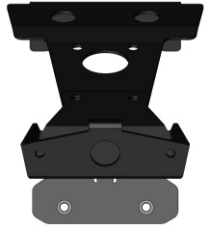
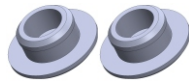


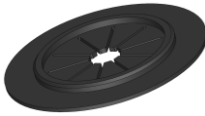






WR 125R



THIS PRODUCT IS NOT DOT APPROVED.

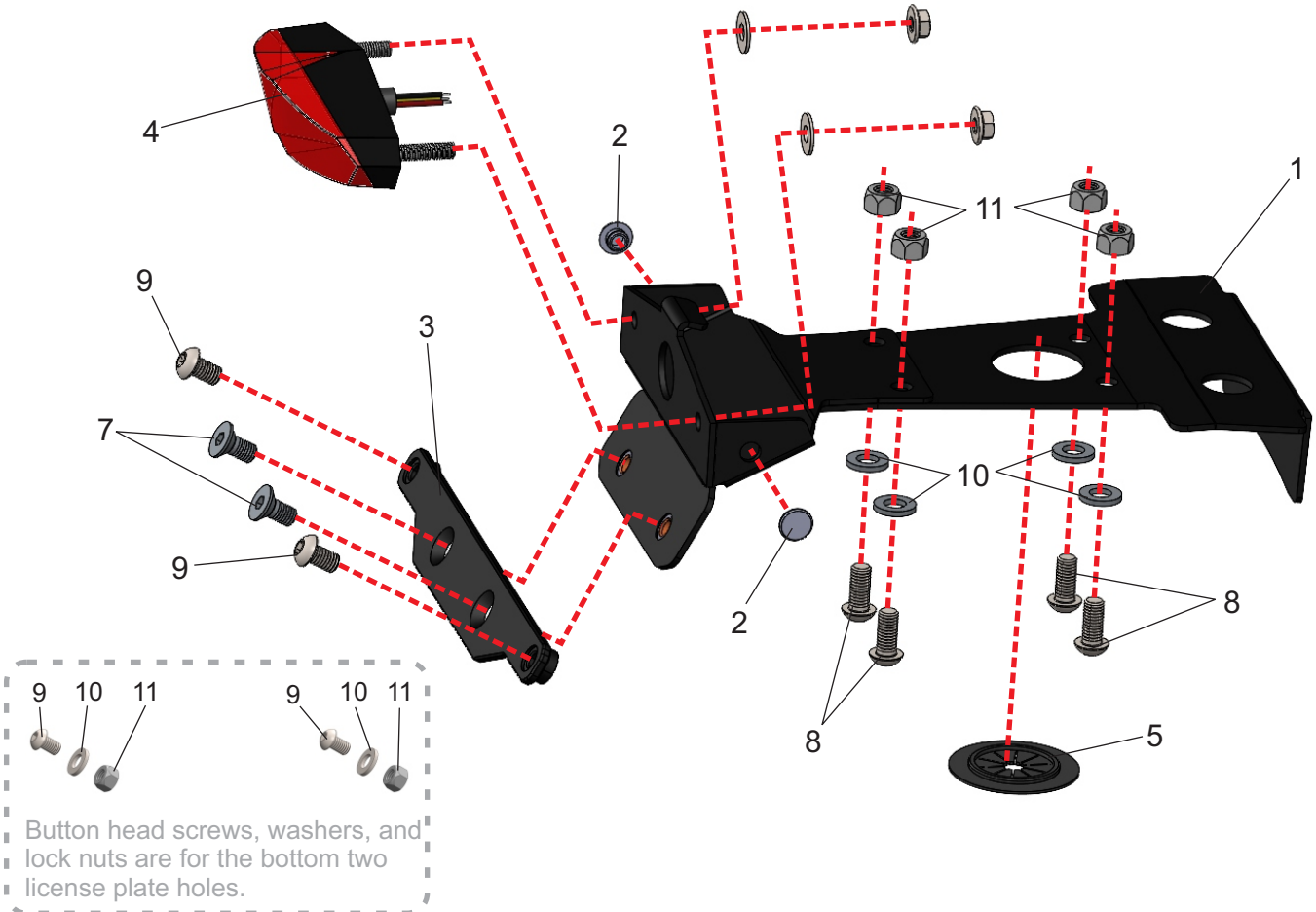
Yoshimura R&D of America, Inc. is not liable or responsible for any resulting event caused by the installation of this product. Check with local laws and regulations for compliance prior to installation and use. This product is not intended for use on public highways.



<p>#1 Qty. 1</p>  <p>13125-FEBKT1 Fender Eliminator Bracket</p>	<p>#2 Qty. 2</p>  <p>13125-PLG Fender Bracket Plugs</p>	<p>#3 Qty. 1</p>  <p>FE-LP-BKT License Plate Bracket</p>	<p>#4 Qty. 1</p>  <p>HB025024-G Tail Light</p>
<p>#5 Qty. 1</p>  <p>H-2158T-1 Wire Debris Cover</p>	<p>#6 Qty. 2</p>  <p>13125-FEBKT-PLG Frame Plug</p>	<p>#7 Qty. 2</p>  <p>M6X12FS-SS 6mm x 12mm Flat Head Screw</p>	<p>#8 Qty. 4</p>  <p>M6X14BHS 6mm x 14mm Button Head Screw</p>
<p>#9 Qty. 2</p>  <p>M6X10BHS 6mm x 10mm Button Head Screw</p>	<p>#10 Qty. 6</p>  <p>6MMWASHER-SS 6mm Washer</p>	<p>#11 Qty. 6</p>  <p>6MMLN-SS 6mm Nylon Lock Nut</p>	

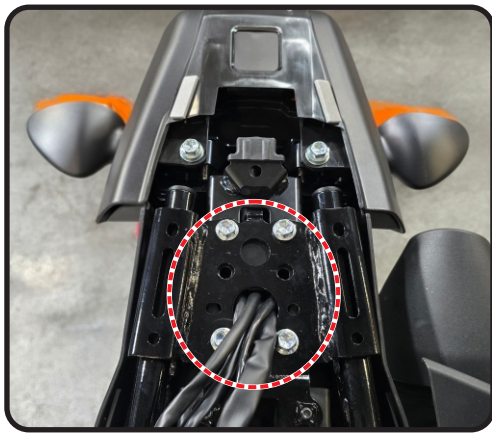
<h3>Service Parts & Accessories</h3>	
License Plate Frame <small>(070BG-LPF-K)</small>	Micro Turn Signal Kit <small>(075BG-MIC-A-K)</small>
Black Ti Bolts <small>(M6X10-TI-BLK-K)</small>	Gold Ti Bolts <small>(M6X10-TI-GOLD-K)</small>
Oil Slick Rainbow Bolts <small>(M6X10-TI-OS-K)</small>	

Assembly Diagram



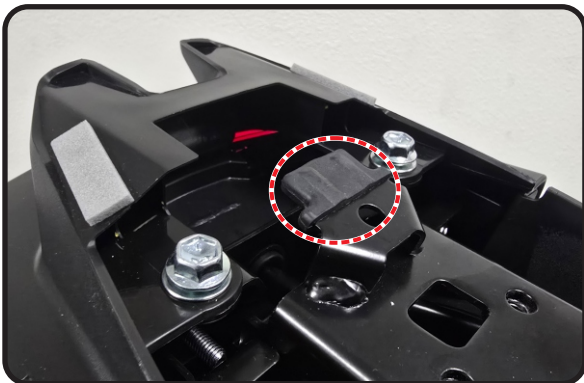
Removal

1. Remove the right and left side cowls.
2. Remove the seat.
3. Remove the tail cowl.
4. Locate and disconnect the turn signal, license plate light, and brake light wires.
5. While securely supporting the stock fender assembly, remove the four bolts securing the fender assembly to frame. Carefully remove the stock fender assembly making sure not to damage the connectors in the process.



6. Disassemble the rear fender assembly and remove the stock turn signals.

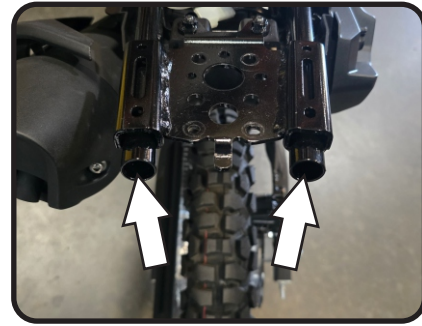
Note: Remove the rubber tab cover on the stock rear fender assembly as it will be re-used in the installation process.



Installation

1. Install *13125-FEBKT-PLG*, frame plugs into the frame tube holes.

Note: The frame plugs are designed to be tap fit. A soft mallet is recommended.

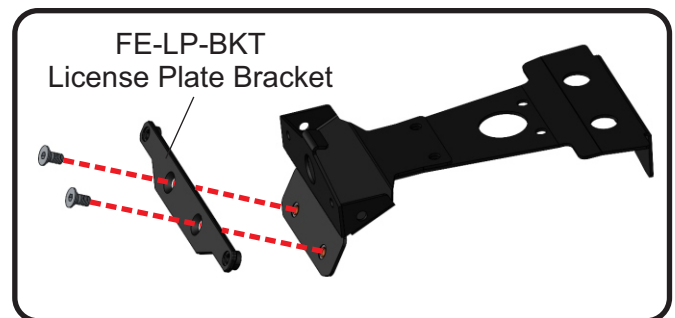


2. Install the stock turn signals onto *13992-TSB-B1*, OEM turn signal bracket using the stock mounting hardware.

NOTE: For turn signal kit installation, see appendix below.

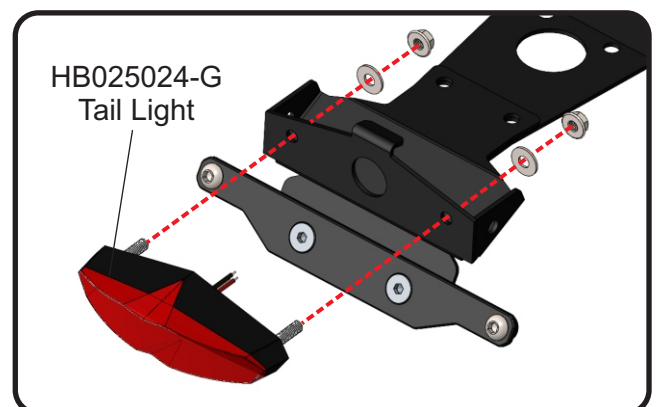
** [Micro LED Turn Signal Kit](#) **

3. Install *FE-LP-BKT*, license plate bracket onto *13125-FEBKT*, fender eliminator bracket using *M6X12FS-SS*, flat head screws.



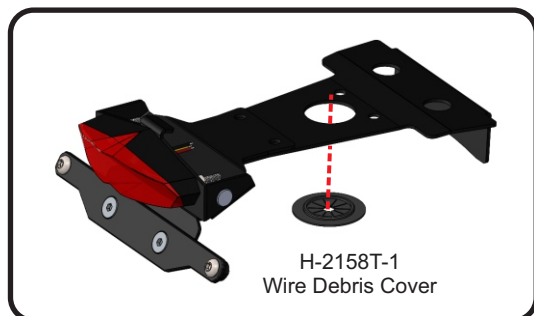
Note: *M6X10BHS*, button head screws will be used to secure the license plate to *FE-LP-BKT*, license plate bracket. *6MMLN*, nylon lock nuts and *6MMWASHERS*, washers are for the bottom license plate holes.

4. Install *HB025024-G*, Yoshimura tail light onto the fender eliminator bracket using the supplied hardware.

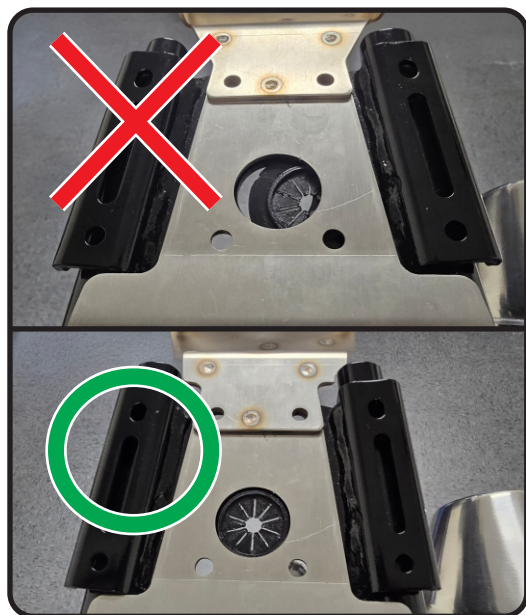


5. Install *H-2158T-1*, wire debris cover onto the fender eliminator bracket.

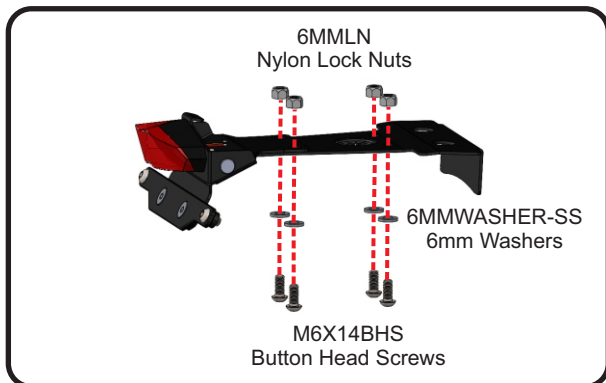
Note¹: Rest *13125-FEBKT*, fender eliminator bracket on the frame so that *H-2158T-1*, wire debris cover is between the bracket and frame.



Note²: Ensure that *H-2158T-1*, wire debris cover is properly seated in the hole of *13125-FEBKT*, fender eliminator bracket.



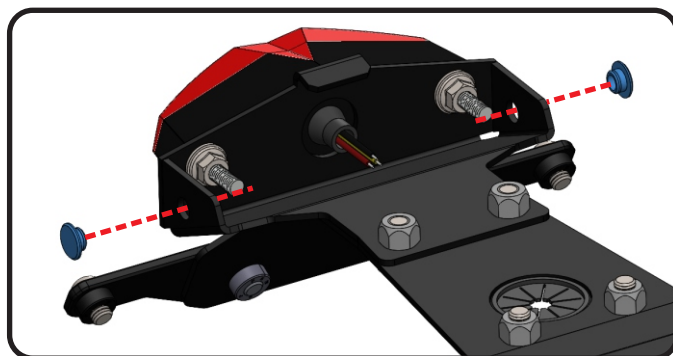
6. Install the fender eliminator bracket onto the frame using *M6X14BHS*, button head screws, *6MMWASHER-SS*, washers and *6MMLN*, nylon lock nuts.



Note: Install the rubber tab cover from the stock rear fender assembly onto the metal tab of the fender eliminator bracket as shown below.



7. Install *13125-PLG*, Fender Eliminator Bracket Plugs onto the Fender Eliminator Bracket's side holes.



8. Route the stock turn signal wires through the wire debris cover and connect to the wiring harness.
9. Connect the Yoshimura tail light to the wiring harness.
10. Reinstall the tail cowl, side cowls, and rider seat using the reverse steps of removal.
11. Check for proper function of the tail light and turn signals and that all brackets and components are secure prior to riding.