



YOSHIMURA

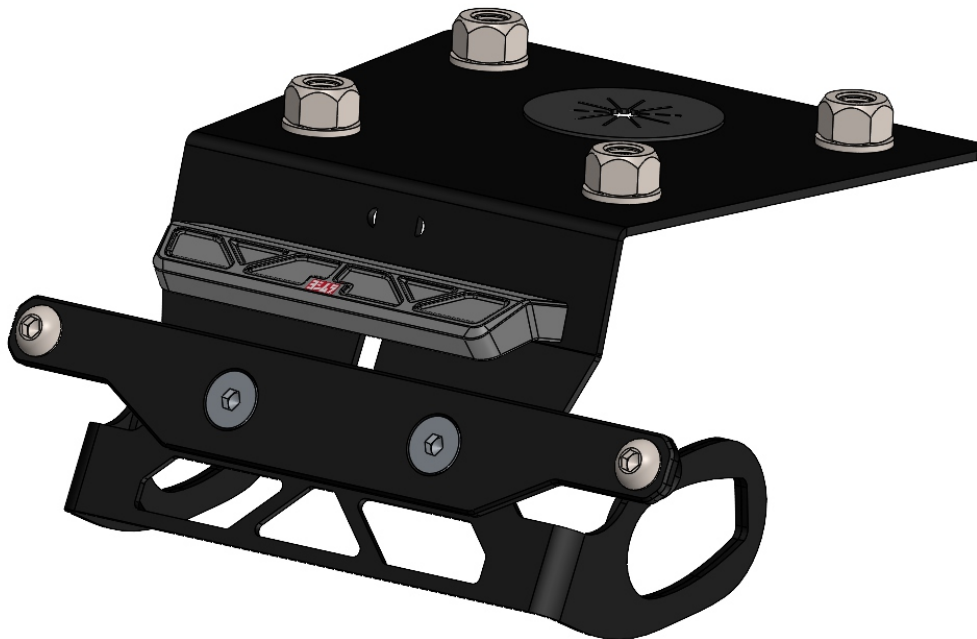
RESEARCH&DEVELOPMENT OF AMERICA, INC.

5420 DANIELS STREET STE A, CHINO CA., 91710 · (800)634-9166 · (909)628-4722 · FACSIMILE (909)591-2198

www.yoshimura-rd.com

FENDER ELIMINATOR KIT




075BG145000
Kawasaki KLE 500

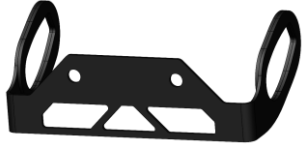
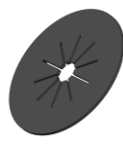
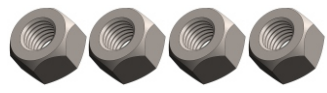







THIS PRODUCT IS NOT DOT APPROVED.

Yoshimura R&D of America, Inc. is not liable or responsible for any resulting event caused by the installation of this product. Check with local laws and regulations for compliance prior to installation and use. This product is not intended for use on public highways.





<p>#1 Qty. 1</p>  <p>14500-FEBKT Fender Eliminator Bracket</p>	<p>#2 Qty. 1</p>  <p>FE-LP-BKT License Plate Bracket</p>	<p>#3 Qty. 1</p>  <p>075BG-LH-K1 License Plate Light</p>
---	--	---

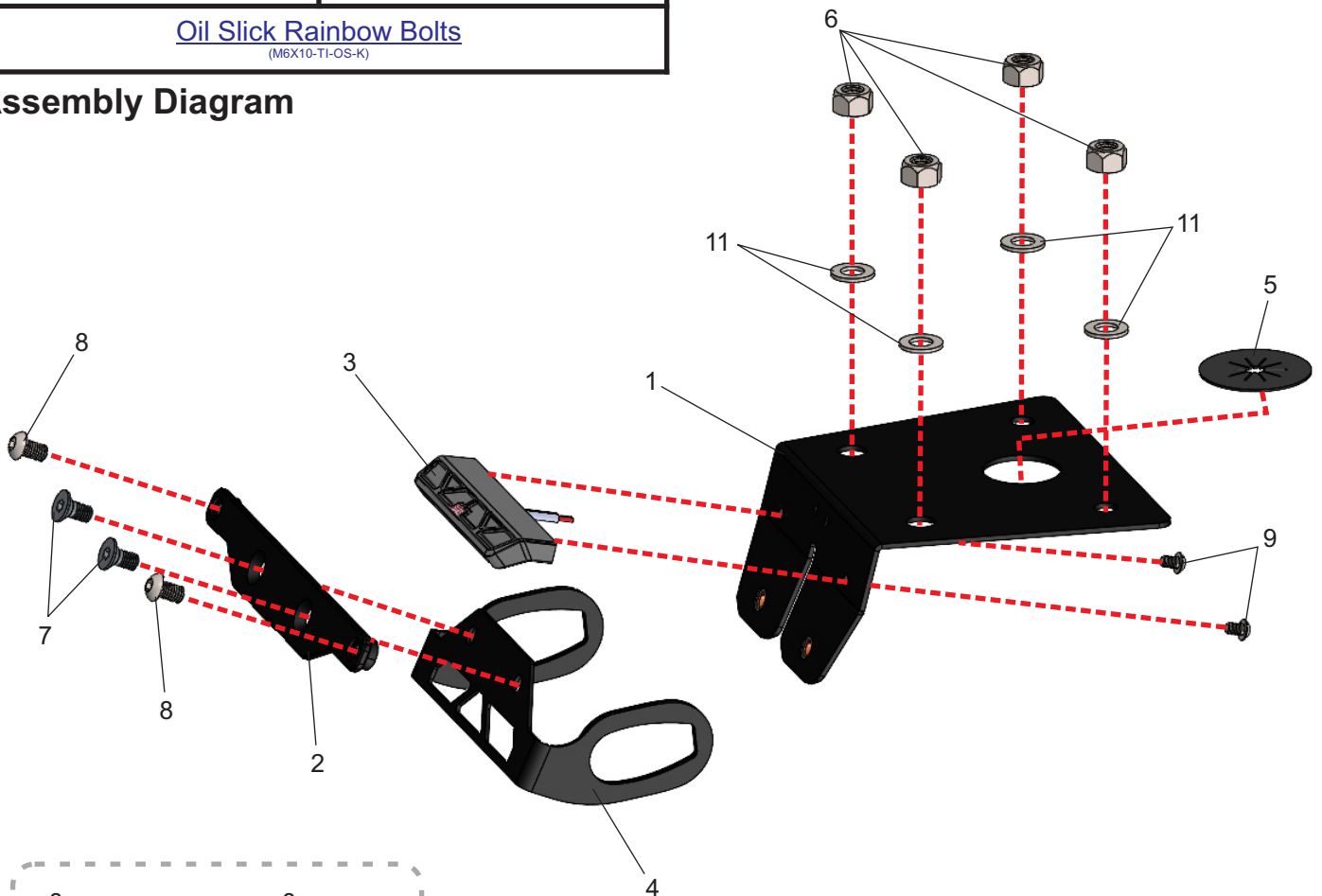
<p>#4 Qty. 1</p>  <p>14710-TSB-B OEM Turn Signal Bracket</p>	<p>#5 Qty. 1</p>  <p>H-2158T-1 Wire Debris Cover</p>	<p>#6 Qty. 4</p>  <p>8MMLN-SS 8mm Stainless Lock Nut</p>	<p>#7 Qty. 2</p>  <p>M6X12FS-SS 6mm x 12mm Flat Head Screw</p>
---	---	--	---

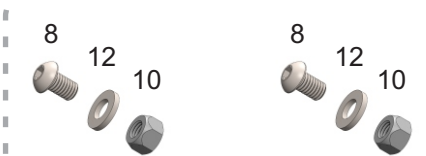
<p>#8 Qty. 4</p>  <p>M6X10BHS 6mm x 10mm Button Head Screw</p>	<p>#9 Qty. 2</p>  <p>M4X6BHS 4mm x 6mm Button Head Screw</p>	<p>#10 Qty. 2</p>  <p>6MMLN-SS 6mm Stainless Nylon Lock Nut</p>	<p>#11 Qty. 4</p>  <p>8MMWASHER-SS 8mm Stainless Washer</p>
---	---	---	--

Service Parts & Accessories	
License Plate Frame <small>(070BG-LPF-K)</small>	Standard Turn Signal Kit <small>(075BG-STD-L-K)</small>
Sequential Turn Signal Kit <small>(075BG-SEQ-L-K)</small>	Micro Turn Signal Kit <small>(075BG-MIC-A-K)</small>
Black Ti Bolts <small>(M6X10-TI-BLK-K)</small>	Gold Ti Bolts <small>(M6X10-TI-GOLD-K)</small>
Oil Slick Rainbow Bolts <small>(M6X10-TI-OS-K)</small>	

<p>#12 Qty. 2</p>  <p>6MMWASHER-SS 6mm Stainless Washer</p>	<p>#13 Qty. 1</p>  <p>ZT-400 Cable Tie</p>
---	---

Assembly Diagram





Button head screws, washers, and lock nuts are for the bottom two license plate holes.

Removal

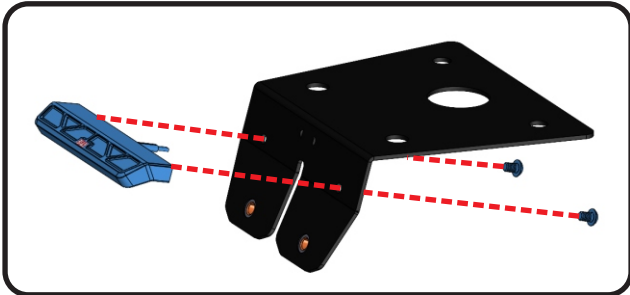
1. Remove both seats.
2. Remove the left and right tail cowls.
3. Remove the tail cowl.
4. Locate and disconnect the connectors for the tail light, license plate light, and turn signals.
5. Remove the tail light to gain access to the screw securing the stock fender assembly to the under-tail.



6. While securely supporting the stock fender assembly, remove the four bolts and screw securing the fender assembly to the sub-frame and separate the fender assembly from the tail section.
7. Remove the stock turn signals from the stock fender assembly.

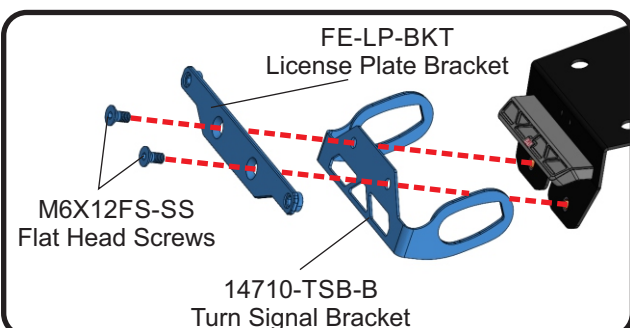
Installation

1. Install *075BG-LH-K1*, License Plate Light onto *14500-FEBKT*, Fender Eliminator Bracket using *M4X6BHS*, Button Head Screws.



2. Install the stock turn signals onto *14710-TSB-B*, OEM Turn Signal Bracket using the stock mounting hardware.
3. Install *14710-TSB-B*, OEM Turn Signal Bracket in between *FE-LP-BKT*, License Plate Bracket and *14500-FEBKT*, Fender Eliminator Bracket using the *M6X12FS-SS*, Flat Head Screws.

Note: *M6X10BHS*, Button Head Screws, will be used to secure the license plate to *FE-LP-BKT*, License Plate Bracket. *6MMNLN-SS*, Nylon Lock Nut and *6MMWASHER-SS*, Washer are for the bottom license plate holes.

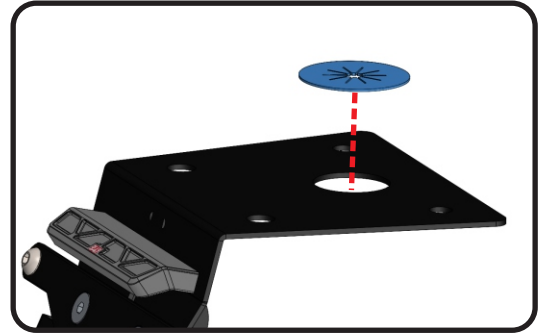


NOTE: For turn signal kit installation, see appendix below.

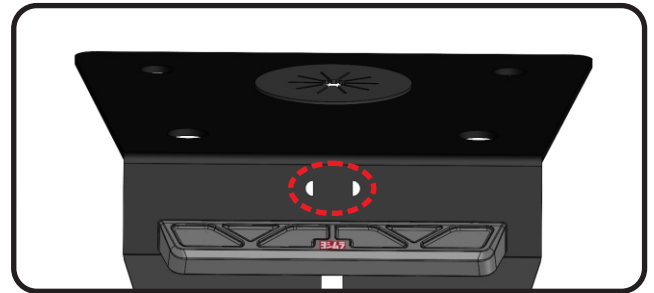
** [Standard / Sequential LED Turn Signal Kit](#) **

** [Micro LED Turn Signal Kit](#) **

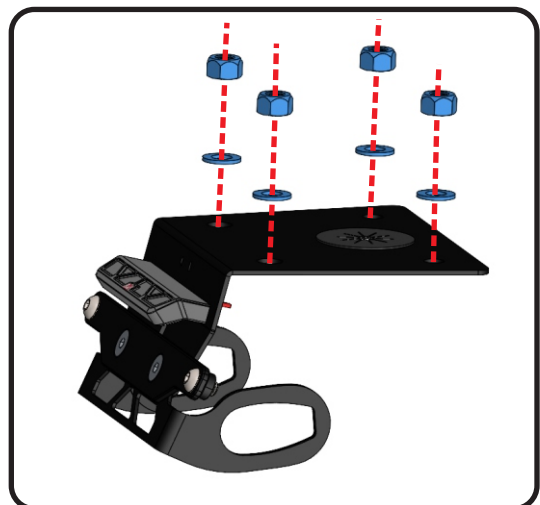
4. Insert *H-2158T-1*, Wire Debris Cover into *14500-FEBKT*, Fender Eliminator Bracket from above.



5. Insert *ZT-400*, Cable Tie in the crescent holes of *14500-FEBKT*, Fender Eliminator Bracket. Do not tighten at this time.



6. Route the license plate light and turn signal wires through *14500-FEBKT*, Fender Eliminator Bracket, *H-2158T-1*, Wire Debris Cover, and through the lower rear cowl. Connect the license plate light and turn signals to the wiring harness.
7. Using the four stock fender bolts, *8MMLN-SS*, 8mm Lock Nuts, and *8MMWASHER-SS*, 8mm Washers, secure *14500-FEBKT*, Fender Eliminator Bracket to the sub-frame. Torque to factory specification.



8. Tighten *ZT-400*, Cable Tie to secure the turn signal and license plate wires to the fender eliminator bracket.
9. Re-install the rear upper passenger seat cowl and re-install passenger seat.
10. Check for proper function of license plate light and turn signals and that all brackets and components are secure prior to riding.