



YOSHIMURA

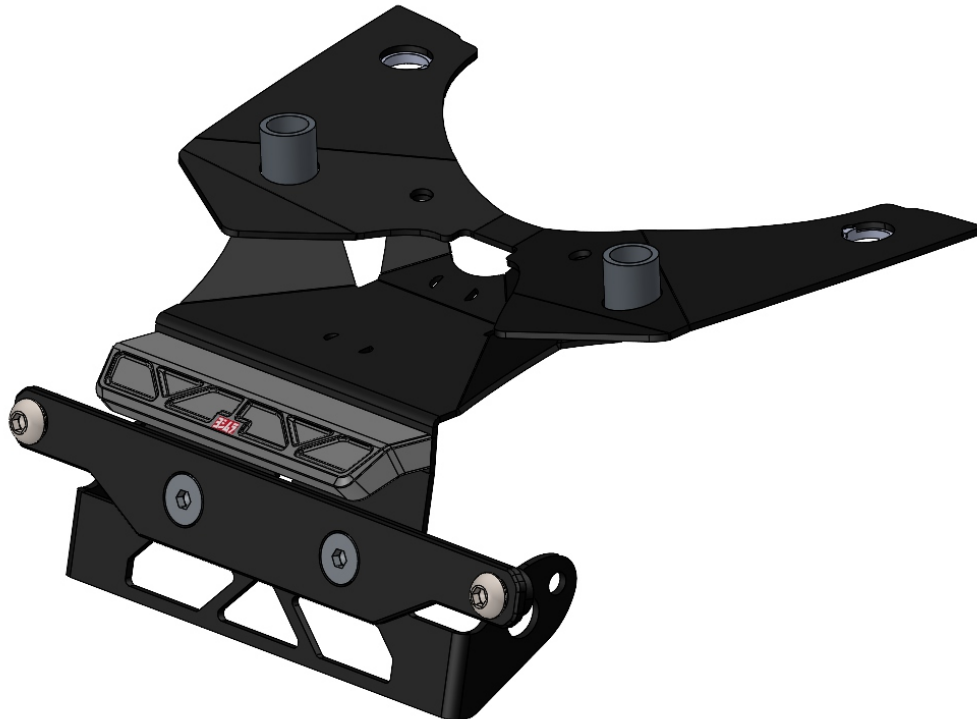
RESEARCH&DEVELOPMENT OF AMERICA, INC.

5420 DANIELS STREET STE A, CHINO CA., 91710 · (800) 634-9166 · (909) 628-4722 · FAX (909) 591-2198

www.yoshimura-rd.com

FENDER ELIMINATOR KIT


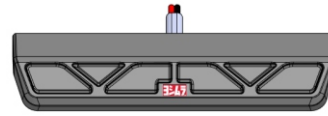

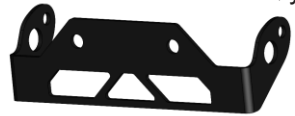



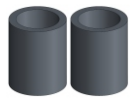
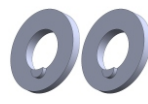

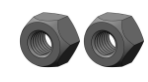
075BG194600
CFMOTO IBEX 450




THIS PRODUCT IS NOT DOT APPROVED.

Yoshimura R&D of America, Inc. is not liable or responsible for any resulting event caused by the installation of this product. Check with local laws and regulations for compliance prior to installation and use. This product is not intended for use on public highways.

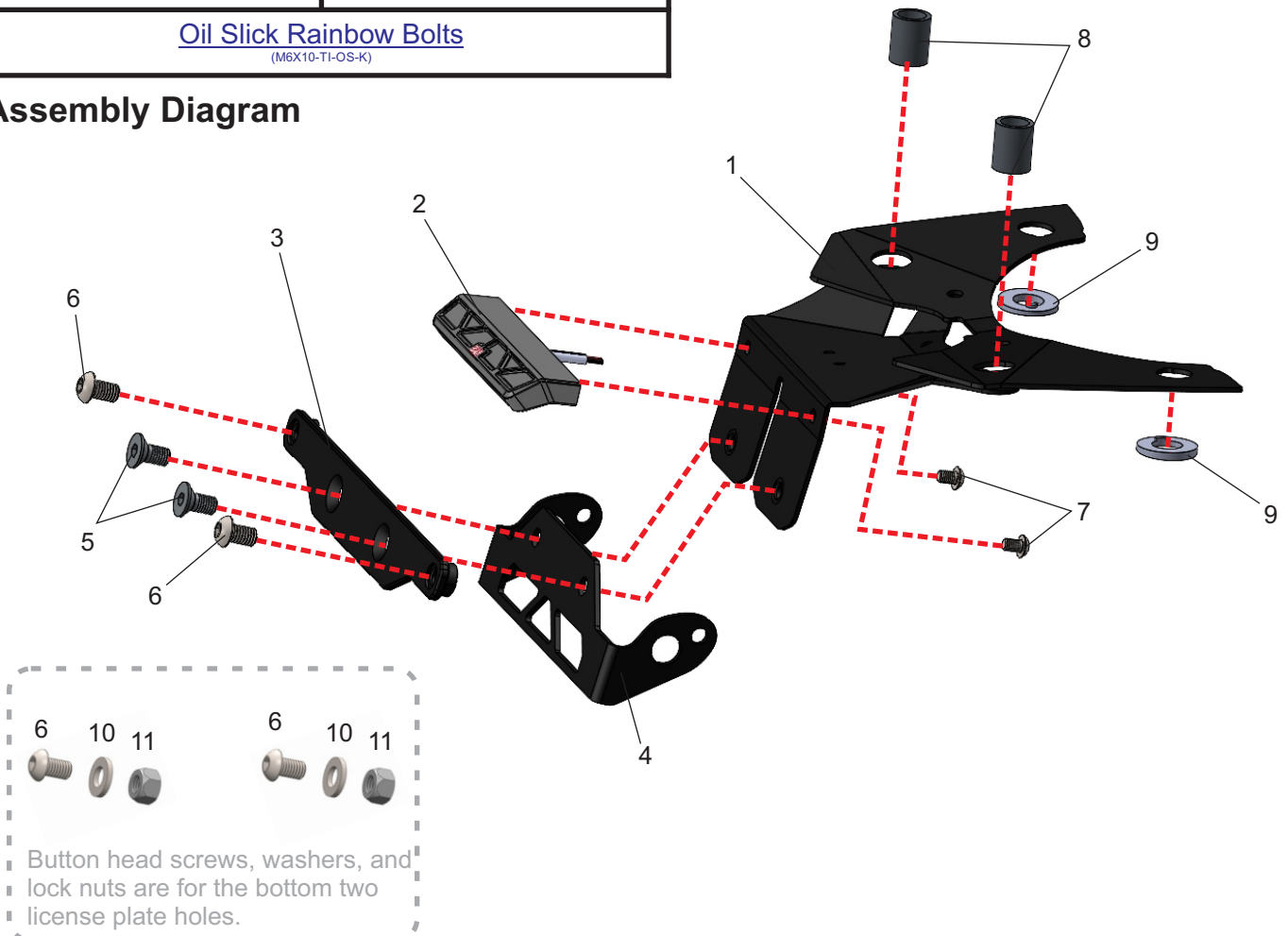


<p>#1 Qty. 1</p>  <p>19460-FEBKT2 Fender Eliminator Bracket</p>	<p>#2 Qty. 1</p>  <p>075BG-LH-C1 License Plate Light</p>	<p>#3 Qty. 1</p>  <p>FE-LP-BKT License Plate Bracket</p>	
<p>#4 Qty. 1</p>  <p>19460-TSB-B OEM Turn Signal Bracket</p>	<p>#5 Qty. 2</p>  <p>M6X12FS-SS 6mm x 12mm Flat Head Screw</p>	<p>#6 Qty. 4</p>  <p>M6X10BHS 6mm x 10mm Button Head Screw</p>	<p>#7 Qty. 2</p>  <p>M4X6BHS 4mm x 6mm Button Head Screw</p>
<p>#8 Qty. 2</p>  <p>19460-FE-SPCR-1 Aluminum Spacer</p>	<p>#9 Qty. 2</p>  <p>19460-FE-SPCR-2 Fender Eliminator Spacer</p>	<p>#10 Qty. 2</p>  <p>6MMWASHER-SS 6mm Washer</p>	<p>#11 Qty. 2</p>  <p>6MMLN-SS 6mm Lock Nut</p>

Service Parts & Accessories	
License Plate Frame <small>(070BG-LPF-K)</small>	Standard Turn Signal Kit <small>(075BG-STD-M-K)</small>
Sequential Turn Signal Kit <small>(075BG-SEQ-M-K)</small>	Micro Turn Signal Kit <small>(075BG-MIC-D-K)</small>
Black Ti Bolts <small>(M6X10-TI-BLK-K)</small>	Gold Ti Bolts <small>(M6X10-TI-GOLD-K)</small>
Oil Slick Rainbow Bolts <small>(M6X10-TI-OS-K)</small>	

<p>#12 Qty. 2</p>  <p>ZT-400 Cable Tie</p>
--

Assembly Diagram

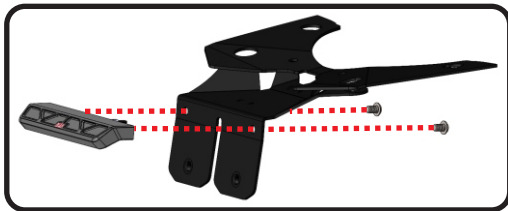


Removal

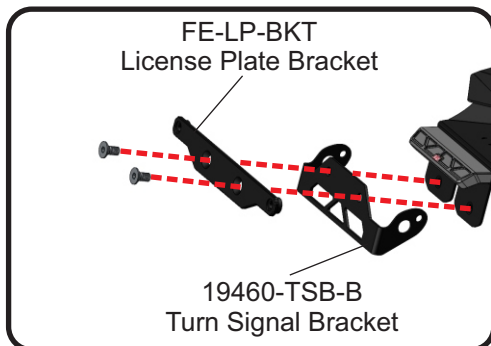
1. Remove passenger seat.
2. Locate and disconnect the license plate light and turn signal connectors.
3. While securely supporting the stock fender assembly, remove the four bolts securing the stock fender and carefully remove the stock fender assembly making sure not to damage license plate light and turn signal connectors.
4. Remove the stock turn signals from the stock fender assembly.

Installation

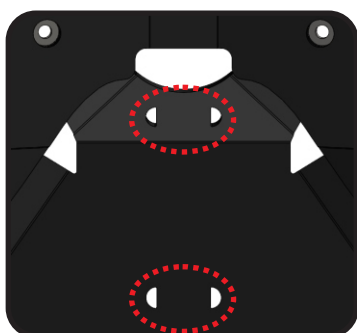
1. Install *075BG-LH-C1*, Yoshimura license plate light onto *19460-FEBKT2*, Yoshimura fender eliminator bracket using *M4X6BHS*, button head screws.



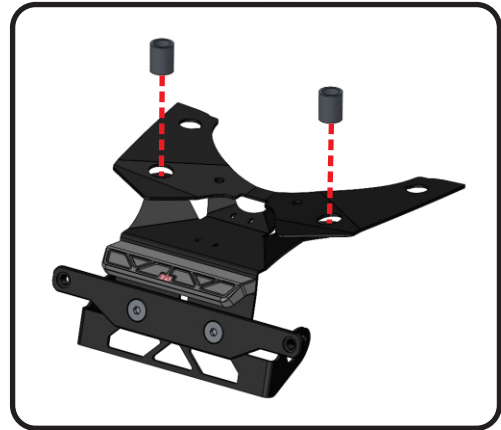
2. Install the stock turn signals onto *19460-TSB-B*, OEM turn signal bracket using the stock mounting hardware.
3. Install *19460-TSB-B*, OEM turn signal bracket in between *FE-LP-BKT*, license plate bracket and *19460-FEBKT2*, fender eliminator bracket using *M6X12FS-SS*, flat head screws.



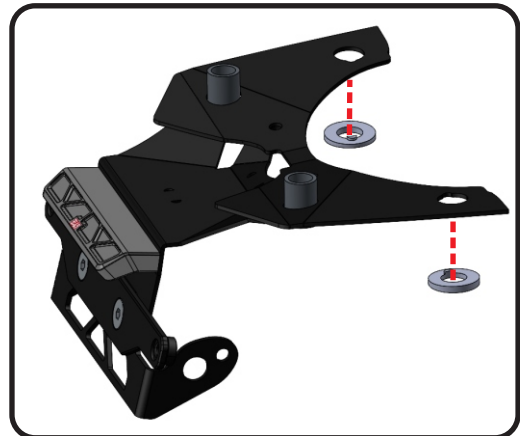
4. Route *ZT-400*, cable ties through the crescent holes to secure the turn signal and license plate light wires to *19460-FEBKT2*, fender eliminator bracket. Do not tighten at this time.



5. Insert *19460-FE-SPCR-1*, aluminum spacers in the holes closest to the license plate frame. Install two of the stock fender bolts to hold the assembly in place. Do not torque at this time.



6. From under *19460-FEBKT2*, fender eliminator bracket, align the notches on *19460-FE-SPCR-2*, fender spacers with the notches of the bracket holes furthest from the license plate frame. Secure fender eliminator bracket assembly to frame using the stock hardware. Torque bolts to factory specifications.



7. Route the turn signal and license plate light wires through the hole in fender bracket and under-tail and then connect to the wiring harness.
8. Tighten both *ZT-400*, cable ties.
9. Re-install passenger seat.
10. Check for proper function of license plate light, turn signals, brake light, and that all brackets and components are secure prior to riding.