



YOSHIMURA

RESEARCH&DEVELOPMENT OF AMERICA, INC.

5420 DANIELS STREET STE A, CHINO CA 91710 · (800) 634-9166 · (909) 628-4722 · FAX (909) 591-2198

www.yoshimura-rd.com

RACE SERIES

Qualified Manufacturer Declared "Modified Part"

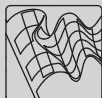
2025

SUZUKI DR-Z4

1166105520 (SS/CF)

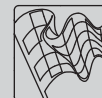
RS-12 Stainless Steel Full-System

FOR CLOSED COURSE COMPETITION ONLY; NOT INTENDED FOR STREET USE



Race Series systems are:

- NOT CARB/EPA tail-pipe emissions compliant.
- NOT street legal.
- For "Closed Course Competition" use only.

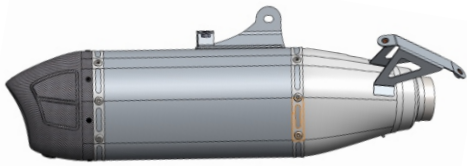


You must know how to remove and replace your stock exhaust in order to install this product otherwise have it installed by a professional mechanic. Keep all stock parts from your existing system as some components may be necessary to install your new Yoshimura exhaust depending on the application. Read through all instructions before beginning installation. Exhaust system can be extremely hot. Let motorcycle cool down before beginning installation. Always wear hand and eye protection and take precautionary measures to avoid injury.



NOTE: IN THE STATE OF CALIFORNIA, IT IS ILLEGAL TO MODIFY THE EMISSION CONTROL SYSTEM, WHICH INCLUDES THE CARBURETORS OF ANY VEHICLE.

x1



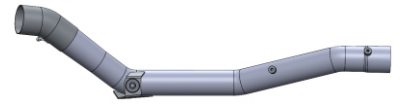
116610S520-RMA
Yoshimura Muffler

x1



11661-401
Yoshimura Header

x1



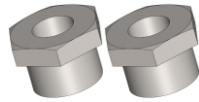
11661-421
Yoshimura Tailpipe

x1



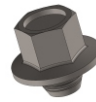
11661-HS
Heat Shield

x2



XOYBA12X125SS
12 mm x 1.25mm
O2 Bung Adapter

x1



M12X8H
12mm x 8mm
Flanged Hex Bolt

x1



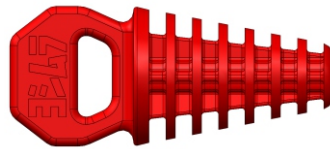
RACE-SPS-1
Medium Spring

x2



RC116HSB-BK-P
6mm x 8mm
Flanged Button Head Screw

x1



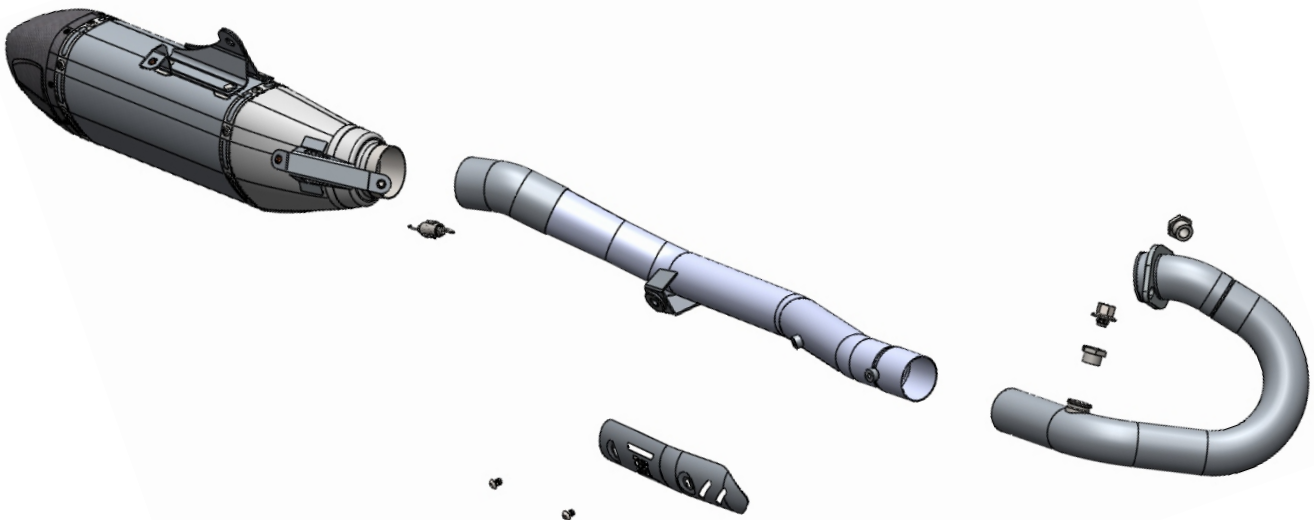
347PLUG
End Cap Plug

x1



ST-200
Spring Puller Tool

Assembly Diagram



CAUTION: Exhaust system can be extremely hot. Let motorcycle cool down before beginning installation. Always wear hand and eye protection and take precautionary measures to avoid injury.

WARNING: Always properly support vehicle with a stand and/or lift when servicing or performing any work. Unstable vehicles may present dangerous conditions and may cause property damage and/or personal injury.

NOTE: Read through all instructions before beginning installation.

Removal

1. Remove the right black side panel.
2. Remove the right rear number plate.
3. Remove the stock muffler heat shield and header heat shield.
4. Remove O2 sensor from the stock header.
5. Loosen muffler exhaust clamp.
6. Remove muffler chassis mounting bolt by the passenger peg.
7. While securely supporting the stock muffler assembly, remove the muffler bracket mounting bolt and carefully remove the muffler assembly from the header outlet.

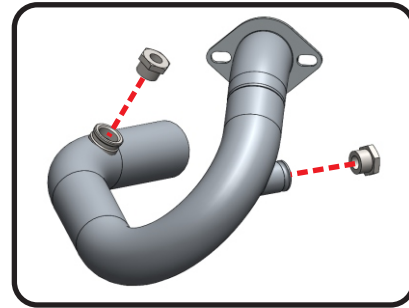
Note¹: After detaching from the header outlet, rotate the muffler assembly 90 degrees outward and then pull rearward to clear the frame and other interfering components.

Note²: The stock exhaust gasket will not be reused. The stock muffler heat shield will be reused on the Yoshimura muffler.

8. Remove the header bolt and nut and remove the stock header.

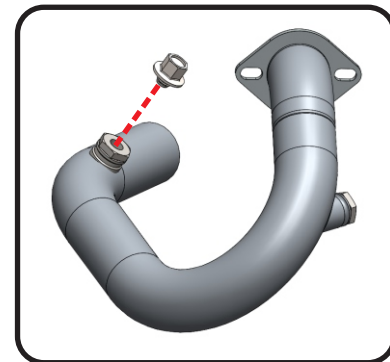
Installation

1. Install OXYBA12X125SS, O2 Bung Adapters onto 11661-401, Yoshimura header.



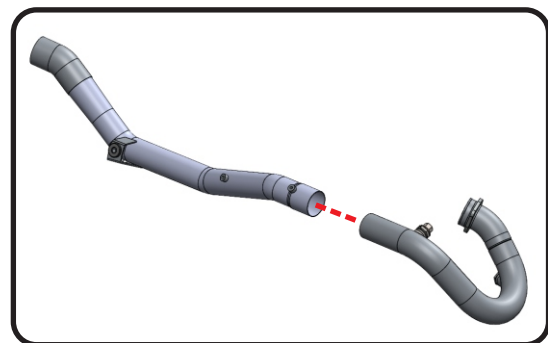
2. Install 11661-401, Yoshimura header using stock hardware. Do not tighten at this time.
3. Install M12X8H, flanged hex head bolt into the O2 bung adapter by the header outlet.

Note: For US spec DR-Z4, the O2 sensor will be installed in the O2 bung adapter by the header manifold. For EU spec DR-Z4, both O2 sensors will be installed in the O2 bung adapters.

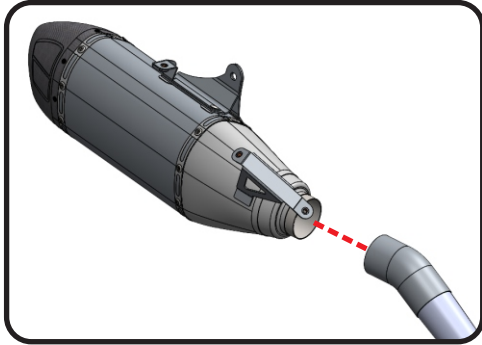


US Spec DR-Z4

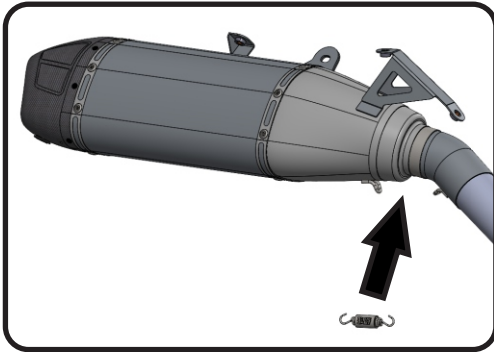
4. Insert 11661-421, Yoshimura tailpipe into 11661-401, Yoshimura header. Secure tailpipe using the stock chassis mounting bolt. Do not tighten at this time.



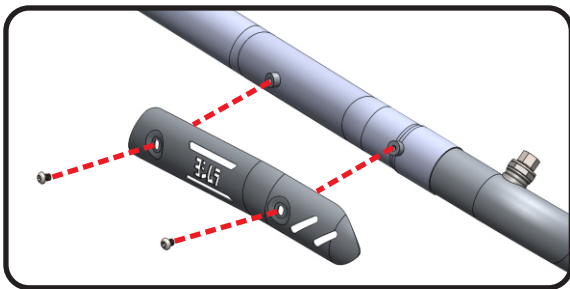
5. Insert *116610S520-RMA*, Yoshimura muffler into the tailpipe. Secure using stock mounting bolt and torque to factory specifications.



6. Tighten the chassis mounting bolt and header mounting hardware to factory specifications.
7. Install *RACE-SPS-1*, medium spring using *ST-200*, spring puller tool.



8. Install *11661-HS*, header heat shield using *RC116HSB-BK-P*, flanged button head screws.



9. Install the stock muffler heat shield onto the Yoshimura muffler using stock hardware. Tighten to factory specifications.



10. Reinstall rear number plate and black side panel using reverse steps of removal.
11. Before starting vehicle, check for proper clearance between new exhaust system and rear suspension (i.e. tire, swingarm, brakes, rear shock, and etc.) If any problem is found, please carefully follow through the installation steps again. If problem still persists, please call Yoshimura Tech Department at (800) 634-9166 / in CA (909) 628-4722.
12. It is recommended that the muffler and tailpipe be wiped down with rubbing alcohol to remove oil and fingerprints. This will help prevent tarnishing of the finish after the exhaust is heated up.

Note: After starting motorcycle, it is normal for new exhaust system and muffler to emit smoke until oil residue burns off.