



# YOSHIMURA

RESEARCH&DEVELOPMENT OF AMERICA, INC.

5420 DANIELS STREET STE A, CHINO CA., 91710 · (800) 634-9166 · (909) 628-4722 · FAX (909) 591-2198

[www.yoshimura-rd.com](http://www.yoshimura-rd.com)

## **RACE SERIES**

Qualified Manufacturer Declared "Modified Part"

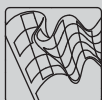
### **CF Moto**

### **2026 675 SS**

### **19470AP520**

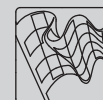
### **AT2 Stainless Steel Full-System**

**FOR CLOSED COURSE COMPETITION ONLY; NOT INTENDED FOR STREET USE**



Race Series systems are:

- NOT CARB/EPA tail-pipe emissions compliant.
- NOT street legal.
- For "Closed Course Competition" use only.



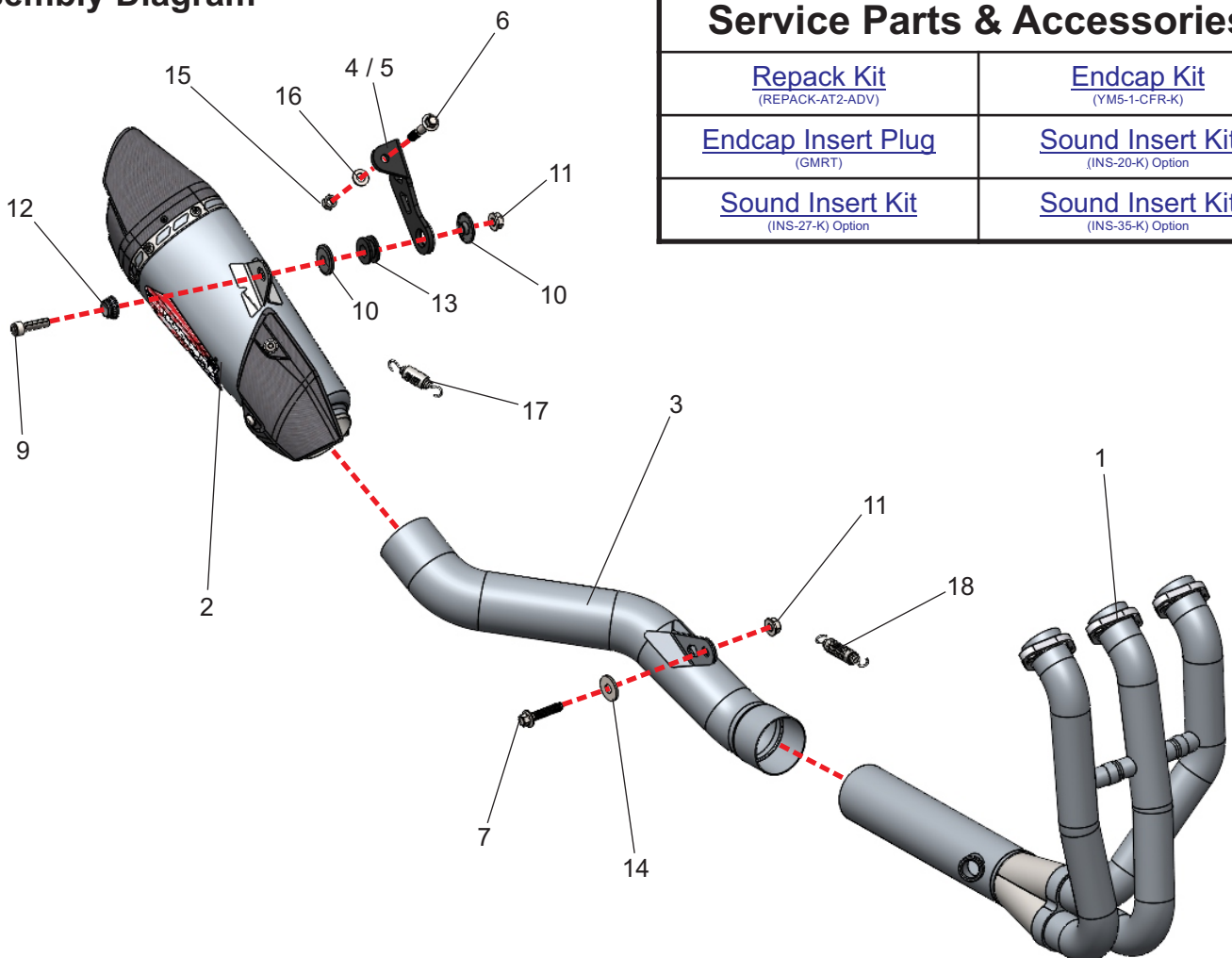
*You must know how to remove and replace your stock exhaust in order to install this product otherwise have it installed by a professional mechanic. Keep all stock parts from your existing system as some components may be necessary to install your new Yoshimura exhaust depending on the application. Read through all instructions before beginning installation. Exhaust system can be extremely hot. Let motorcycle cool down before beginning installation. Always wear hand and eye protection and take precautionary measures to avoid injury.*



NOTE: IN THE STATE OF CALIFORNIA, IT IS ILLEGAL TO MODIFY THE EMISSION CONTROL SYSTEM, WHICH INCLUDES THE CARBURETORS OF ANY VEHICLE.

<p>#1 Qty. 1</p>  <p>19470-401 Yoshimura Header</p>	<p>#2 Qty. 1</p>  <p>13900AP520-RMA Yoshimura Muffler</p>	<p>#3 Qty. 1</p>  <p>19470-421 Yoshimura Tail Pipe</p>	
<p>#4 Qty. 1</p>  <p>19470-MBKT 675SS Muffler Bracket</p>	<p>#5 Qty. 1</p>  <p>19470-MBKT1 675NK Muffler Bracket</p>	<p>#6 Qty. 1</p>  <p>M8X50H 8mm x 50mm Hex Head Screw</p>	<p>#7 Qty. 1</p>  <p>M8X40H 8mm x 40mm Hex Head Screw</p>
<p>#8 Qty. 2</p>  <p><a href="#">GRMT</a> Heat Shield Grommet</p>	<p>#9 Qty. 1</p>  <p>M8X30 8mm x 30mm Cap Screw</p>	<p>#10 Qty. 2</p>  <p>ALS-043 Aluminum Spacer</p>	<p>#11 Qty. 2</p>  <p>8MMNUT 8mm Flange Nut</p>
<p>#12 Qty. 1</p>  <p>M8ALCSW-01 Counter Sink Washer</p>	<p>#13 Qty. 1</p>  <p>Z1024 Rubber Grommet</p>	<p>#14 Qty. 1</p>  <p>8MMWASHERL 8mm Washer</p>	<p>#15 Qty. 1</p>  <p>8MMCNUT Lock Nut</p>
<p>#16 Qty. 1</p>  <p>8MMWASHER-SS 8mm Washer</p>	<p>#17 Qty. 1</p>  <p><a href="#">RACE-SPS-1</a> Medium Spring</p>	<p>#18 Qty. 1</p>  <p><a href="#">RACE-SPL-1</a> Long Spring</p>	<p>#19 Qty. 1</p>  <p>ST-200 Spring Puller Tool</p>

### Assembly Diagram



Service Parts & Accessories	
<a href="#">Repack Kit</a> <small>(REPACK-AT2-ADV)</small>	<a href="#">Endcap Kit</a> <small>(YM5-1-CFR-K)</small>
<a href="#">Endcap Insert Plug</a> <small>(GMRT)</small>	<a href="#">Sound Insert Kit</a> <small>(INS-20-K) Option</small>
<a href="#">Sound Insert Kit</a> <small>(INS-27-K) Option</small>	<a href="#">Sound Insert Kit</a> <small>(INS-35-K) Option</small>

**CAUTION:** Exhaust system can be extremely hot. Let motorcycle cool down before beginning installation. Always wear hand and eye protection and take precautionary measures to avoid injury.

**WARNING:** Always properly support vehicle with a stand and/or lift when servicing or performing any work. Unstable vehicles may present dangerous conditions and may cause property damage and/or personal injury.

**NOTE:** Read through all instructions before beginning installation.

## Removal

*For 675 SS model, follow steps "a"*  
*For 675 NK model, follow steps "b"*

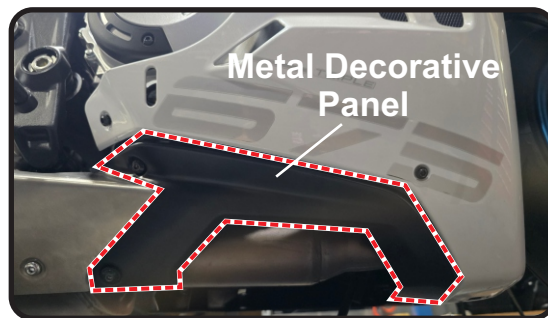
1. Remove the rider's seat.
- 2a. Remove the right headlight fairing.
- 3a. Remove the center mesh panel in front of the stock exhaust header.
- 4a. Remove the right side fairing.

Note: Removal of the left headlight fairing and side fairing is not necessary but may grant easier access to the exhaust header flanges.

5. Remove the lower left skid plate fairing indicated below.



6. Remove the rider's right foot peg assembly from the chassis to gain access to one of the stock exhaust's heat shield bolts, which will be removed in the next step.
7. Remove the lower right, metal decorative panel along with the stock exhaust heat shield.



8. Remove the O2 sensor from the stock header.
9. While supporting the stock exhaust system, remove the header flange nuts and chassis mounting bolts and carefully remove the stock exhaust system.
10. Remove the collar washers and grommet from the left mounting point of the stock muffler's left chassis mounting bolt.



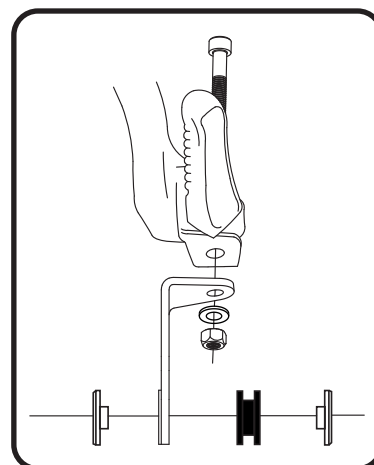
## Installation

1. Remove the right passenger foot peg's cotter pin and foot peg pivot pin.

Note: Do not remove the foot peg. Ball detent for foot peg may be difficult to reinstall once removed.

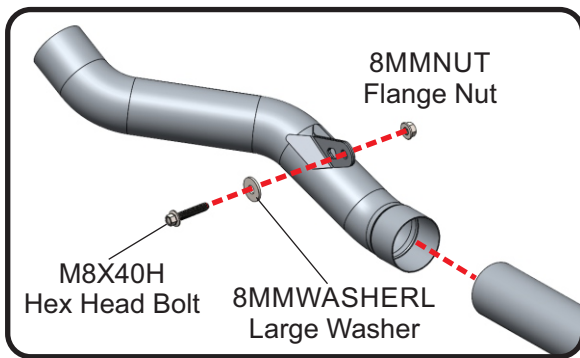
- 2a. Install Z1024, rubber grommet and ALS-043, aluminum spacers onto 19470-MBKT, muffler bracket and then secure to the right foot peg using M8X50H, hex head screw and 8MMCNUT, lock nut. Do not torque at this time.

Note: For the 675SS model, install 19470-MBKT. For the 675NK model, install 19470-MBTK1.

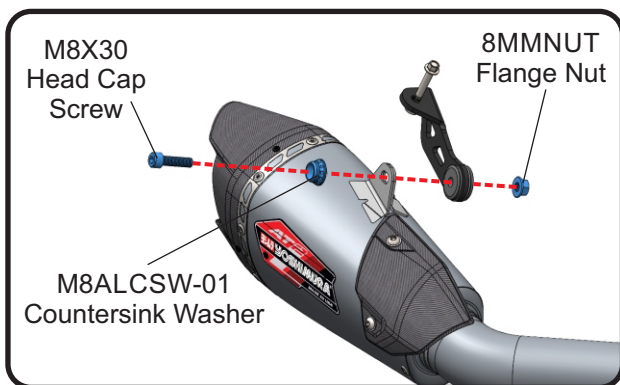


3. Install 19470-401, Yoshimura header using the stock flange nuts. Do not tighten at this time.

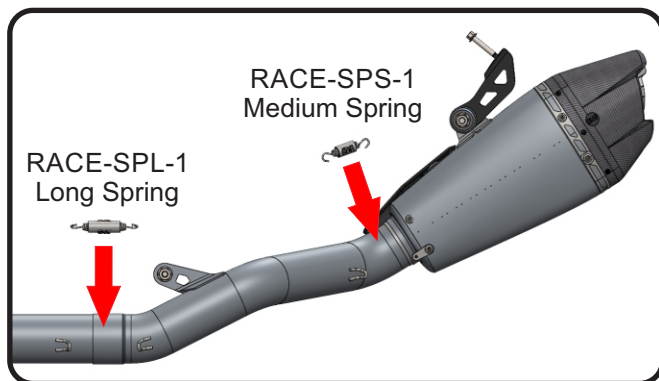
4. Install *19470-421*, Yoshimura tailpipe onto header outlet. Secure to the chassis with *M8X40H*, hex head bolt, *8MMWASHERL*, large washer and *8MMNUT*, flange nut.



5. Install the Yoshimura muffler onto the tailpipe outlet and secure to the muffler bracket with *M8ALCSW-01*, counter sink washer, *M8X30*, head cap screw, and *8MMNUT*, flange nut.



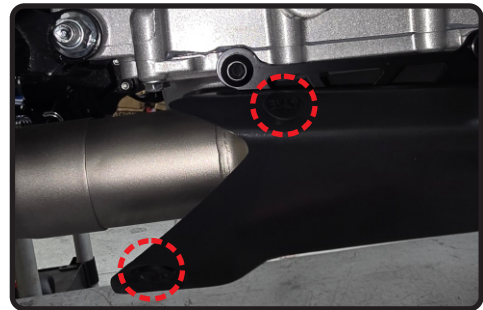
6. Tighten header nuts, chassis mounting bolt, foot peg bolt, and muffler mounting bolt to factory specifications.
7. Re-install the O2 sensor onto the Yoshimura header.
8. Install *RACE-SPS-1*, medium spring at the muffler to tailpipe connection and *RACE-SPL-1*, long spring at header to tailpipe connection using *ST-200*, spring puller tool.



9. Reinstall the lower left skid plate fairing.

- 10a. Reinstall the center mesh panel, side fairing(s), and headlight fairing(s) using the reverse steps of removal.

- 10b. Insert *GRMT*, heat shield grommets into the two holes of the metal decorative panel where the stock muffler heat shield mounting bolts would go.



11. Before starting vehicle, check for proper clearance between new exhaust system and rear suspension (i.e. tire, swingarm, brakes, rear shock, and etc.) If any problem is found, please carefully follow through the installation steps again. If problem still persists, please call Yoshimura Tech Department at (800) 634-9166 / in CA (909) 628-4722.

12. It is recommended that the muffler and tailpipe be wiped down with rubbing alcohol to remove oil and fingerprints. This will help prevent tarnishing of the finish after the exhaust is heated up.

Note: After starting vehicle, it is normal for new exhaust system and muffler to emit smoke until oil residue burns off.

## Works Finish Care & Maintenance

Before starting vehicle, clean pipe thoroughly using a soft cloth and rubbing alcohol to remove any oil and fingerprints.

The color of the exhaust will change once the system has gone through a heat cycle of 15 minutes or more. Color will vary depending on lean/rich conditions.

Clean using a soft cloth and soap. Do not use abrasive materials as it will scratch the surface.

Surface reconditioning services are available to remove scratches and undesirable discoloration due to extreme heat. Contact Yoshimura Tech Department at (800) 634-9166 / in CA (909) 628-4722 for more information.

Dear Yoshimura Customer,

Congratulations and thank you for purchasing a Yoshimura Exhaust System. Over six decades of experience in research and development, state of the art machinery, materials and craftsmanship of the highest quality all come together in a product of exceptional quality and performance—in other words, this is the best thing you can put on your bike.

We strive to provide you with a product perfect in fit and finish. However, if you have any problems, please give us a call. We have found that most fitment issues can be easily resolved by a conversation with one of our knowledgeable and friendly staff. If the issue cannot be resolved this way, our warranty evaluation program may be the answer. Please take a moment to review our recommendations for the care of your exhaust and our warranty information.

**PLEASE NOTE:** If you have any doubts about your exhaust: **DO NOT START THE MOTORCYCLE! ONCE AN EXHAUST HAS BEEN USED OR MODIFIED, IT CANNOT BE RETURNED FOR CREDIT OR EXCHANGE.**

## EXHAUST SYSTEM MAINTENANCE

Yoshimura Exhaust Systems require very little care and maintenance; here are a few tips:

1. Use mild car/motorcycle soap to clean the exhaust system—do not use any abrasives or degreasers.
2. Clean your exhaust with metal/stainless polish every 1-2 months to retain the luster and remove dirt and grime. (DO NOT USE POLISH ON “WORKS FINISH” SYSTEMS)
3. Avoid contaminating exhaust surfaces when hot.
4. Your exhaust system will change color (blue, magenta, purple, and/or gold) due to heat; this is normal.
5. Keep all clamps, bolts and other fasteners tight as exhaust systems are susceptible to vibration damage.
6. If you ride in coastal regions or areas that use salt to control ice and snow, wipe the exhaust down after it cools to remove any possible salt residue, which can result in rusting.
7. If you are storing your motorcycle for the season, wipe the exhaust system down with rubbing alcohol before storage.
8. Head pipes glowing (visible in normal light) may indicate an excessively lean condition that must be corrected.

## CARBON FIBER:

Carbon fiber equipped exhaust components require special attention. The following addresses wear issues directly related to carbon fiber:

1. Keep all clamps, bolts and other fasteners tight. Carbon Fiber is very susceptible to vibration damage.
2. Keep all chemicals and solvents away from the carbon fiber, as they will damage the finish.
3. High temperatures will cause the resin in the carbon fiber to break down. Visual signs such as an amber hue in the resin may be early signs of heat damage to carbon fiber.
4. Upon seeing amber colored resin, discontinue use. The exhaust system needs to be inspected by a representative from Yoshimura, for repack, and/or repair. Continued use will cause component failure.

## STAINLESS STEEL:

Stainless Steel is not rust proof but is less prone to rusting, staining and pitting; but it is prone to oxidation like all metals.

## WORKS FINISH:

1. Works Finish exhaust systems should never be cleaned with abrasives or polishes.
2. Yoshimura recommends using “Bar Keepers Friend” cleaner to remove minor stains.
3. Surface reconditioning services are available to remove scratches and undesirable discoloration due to extreme heat. Contact Yoshimura Tech Department at (800) 634-9166 / in CA (909) 628-4722 for more information.

## RE-PACKING TIPS

To maintain maximum sound and engine performance the muffler packing will need to be replaced at some time during the muffler's life. Yoshimura recommends repacking your muffler at least once a year.

Failure to maintain the muffler packing may cause damage to the muffler and/or void the warranty. Regularly inspect the muffler body for discoloration, cracks, rattling, or other signs of wear caused by depleted muffler packing. If muffler packing is determined to be depleted or worn, a Yoshimura muffler re-pack kit is highly recommended to restore the muffler to optimum maximum performance.

Yoshimura offers a 3-5 day turn around (plus transit time) to inspect and refurbish used and damaged mufflers.

**For more information on muffler repacking please visit our website at:** <https://www.yoshimura-rd.com/pages/repack-and-insert-chart>

**\*\*\*PRO TIP\*\*\*** Before you install your new muffler for the first-time log the weight in your Owner's or Service manual along with the current hours or mileage on your vehicle. When you are performing periodic maintenance on your vehicle (like a tire change, or an oil change) you can remove your Yoshimura muffler from the vehicle and weigh it again. Over time, the packing material inside your muffler will burn off with use, and the muffler will need to be repacked. When the weight loses approximately 100 grams of the original weight, you should consider getting your Yoshimura muffler repacked. You can order repacking kit or the parts to repack the muffler from the Yoshimura website, or your local dealer. You can also contact the Yoshimura sales office and arrange to send in your muffler for the repacking service too.

### IMPORTANT TECHNICAL NOTE

Yoshimura recommends on all race exhaust systems, that all spring joints be safety wired. Recommended wire type 304/316 stainless steel with a .032" diameter should be used.

## YOSHIMURA EXHAUST LIMITED WARRANTY

All Yoshimura R&D of America, Inc., exhaust systems carry a one-year limited warranty against defects in workmanship and/or materials.

### WHO IS COVERED?

This warranty is provided to the original purchaser of the exhaust system.

### WHAT VOIDS THE WARRANTY?

1. Abuse, misuse, improper installation and/or modifications
2. Custom applications
3. No proof of purchase at the time of warranty. Claimant must provide proof of purchase (original receipt or invoice) and a warranty authorization number (RMA) obtained from Yoshimura.
4. Finishes such as plating or painted surfaces with discoloration or rust due to inclement weather conditions, exposure to salt, exposure to chemicals, or lack of maintenance by the customer are not covered.
5. International grey-market product purchased through a dealer/distributor not authorized for your country will not be supported by this warranty.

### EXTENT OF WARRANTY:

Any defective exhaust system properly returned to Yoshimura will be repaired or replaced by Yoshimura. Yoshimura is not responsible for any other expense incurred by the customer under the terms of this limited warranty, nor is Yoshimura responsible for any damages either consequential, incidental, special, contingent or otherwise; or expenses or injury arising directly or indirectly from the use of the exhaust system. Any exhaust system returned to Yoshimura must be sent at the customer's expense along with the proof of purchase and warranty authorization (RMA). Yoshimura reserves the right to determine whether the terms of the warranty, set out above, have been properly followed. In the event that the terms are not followed this warranty is void. Yoshimura is the sole determiner of abuse, misuse,

installation errors and modifications—should any of these be found, this warranty is void. The duration of any and all implied warranties are limited to the duration of the express warranty. All incidental or consequential damages are hereby excluded. The warranty gives you specific legal rights and you may have other rights, which vary from state to state. Some states do not allow the exclusion or limitation of incidental or consequential damages or limitations on how long an implied warranty lasts, so the above limitations and exclusions may not apply to you.

**If you have a fitment or other problem, or are missing a part, please double-check this trouble shooting guide first:**

1. Reference your instruction sheet and double-check all drawings and instructions
2. Make sure muffler clamps are installed correctly (refer to instructions diagram). On many models, there is a right and wrong way to install. Also verify part numbers on headers and tail pipe.
3. Always make sure to install spring-mounted manifolds and flanges on cylinder head prior to installing headers.
4. Always take time to examine problems in detail.
5. When all else fails, call our technical support line at (909) 628-4722. The technical line is open 9:00am – 4:30pm Monday through Friday, Pacific Time. Please have the following information handy: Year/Make/Model of motorcycle, date of purchase, place of purchase, batch dates and part numbers (found on header and tail-pipe components).
6. Also, feel free to ask through online e-mail at [sales@yoshimura-rd.com](mailto:sales@yoshimura-rd.com), or fax your question/problems to (909) 591-2198.

**To obtain technical information directly from Yoshimura, call (909) 628-4722.**