

YOSHIMURA CYCLING

5420 DANIELS STREET STE A, CHINO CA., 91710 · (800) 634-9166 · (909) 628-4722 · FAX (909) 591-2198

www.yoshimuracycling.com

⚠ READ THIS MANUAL BEFORE INSTALLING PEDALS. ⚠

WARNINGS TO USERS & PARENTS / GUARDIANS

- Proper installation and use of these pedals in accordance with the manual are essential for the safety of all users.
- Parents/Guardians must ensure that the correct procedures for installation and use of this product are followed and understood by the minor.
- Misuse or failure to follow the specified installation instructions and heed warnings may result in injury or death.

WARNING

- Always wear a helmet and follow trail etiquette when riding.
- Use headlights and taillights when riding in poor visibility conditions.
- Check leg extension after pedal installation and adjust saddle height if necessary.

CHILAO - Large Platform Pedals

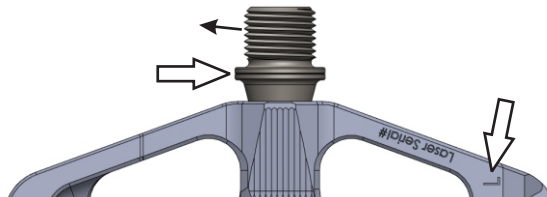
LIMITED-LIFETIME WARRANTY

- To original owner for the life of the pedal.
- Bushings, bearings and pins are not covered as these are wear items.
- Warranties are handled by Yoshimura Cycling in Chino, CA.
- Visit website at www.yoshimuracycling.com/pages/warranty for complete warranty terms and conditions.

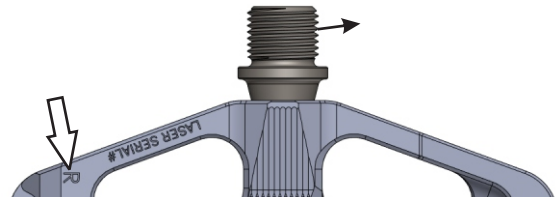
CARE & MAINTENANCE

- Periodically inspect pedals for wear, damage, or loose components.
- Gently wipe pedals with a damp cloth. Never power wash or spray water directly into dust seal.
- The Yoshimura pedal is designed and engineered to keep moisture and debris out of the internal structure and components. Maintaining clean pedals with properly lubricated internal components will maximize the longevity of the pedals.
- Yoshimura re-build services as well as service kits are available. Contact Yoshimura Tech Department at (800) 634-9166 / in CA (909) 628-4722 or visit www.yoshimuracycling.com.
- [Click here for pedal service instructions video.](#)
- [Click here for pedal rebuild instructions video.](#)

Left side pedal is indicated with "L" and the spindle threads will slope up toward the left. Left spindle also has a machined groove to easily identify.



Right side pedal is indicated with "R" and the spindle threads will slope up toward the right.



Install pins onto pedals. Using a torque wrench, torque pins to 1.5 Nm (1.1 ft-lb).

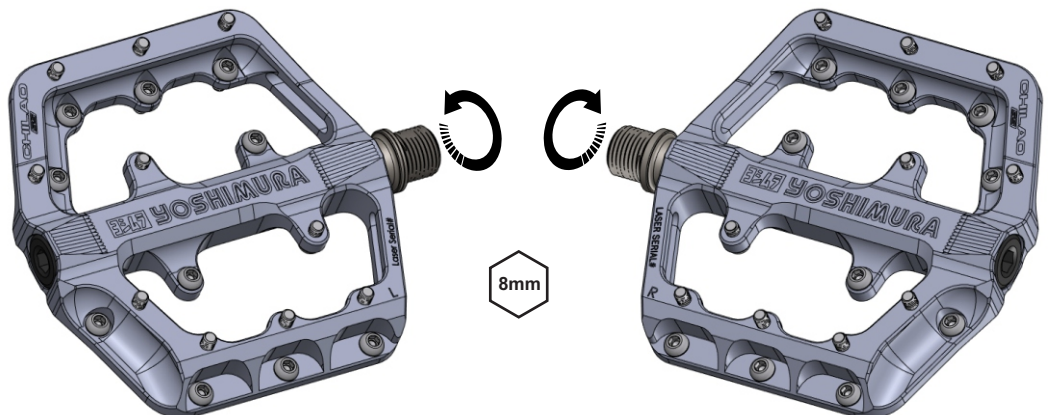
If torque wrench is unavailable, loosely thread pins until it stops against the pedal surface and then proceed to tighten 1/16" of a turn.

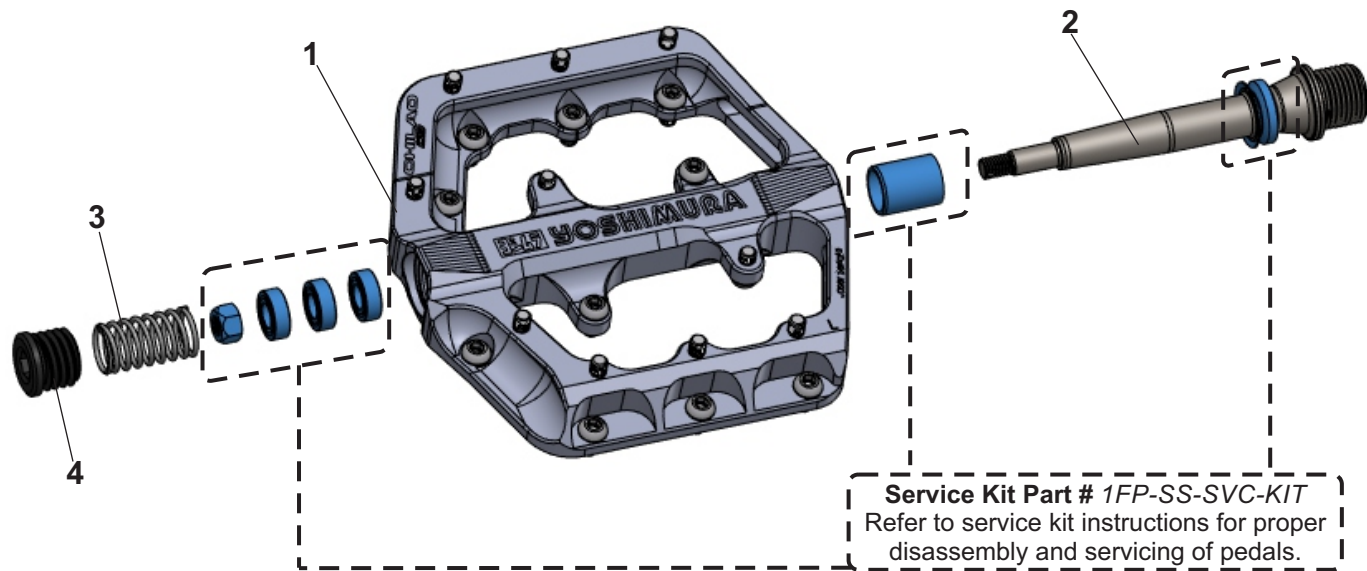
Pins do not require anti-seize or grease.

DO NOT USE THREADLOCK

[Click here for pin installation](#)

Grease spindle and start spindle threads into crank arm by hand. Using an 8mm hex wrench, tighten spindle onto crank. Consult your crank manufacturer for proper torque specifications. Re-use pedal washers if equipped with your crank.





No.	Item	Description	Qty.
1	1FP1BK-L2	Black Pedal, Left	1
	1FP1GL-L2	YoshiKote Pedal, Left	
	1FP1GY-L2	Pewter Pedal, Left	
	1FP1SL-L2	Ice Pedal, Left	
	1FP1BK-R2	Black Pedal, Right	1
	1FP1GL-R2	YoshiKote Pedal, Right	
	1FP1GY-R2	Pewter Pedal, Right	
	1FP1SL-R2	Ice Pedal, Right	
2	1CP-SPDL-LH	Spindle, Left	1
	1CP-SPDL-RH	Spindle, Right	
3	9434K115	Large Pedal Spring	2
4	1FP-PLUG	Pedal End Plug	2
**	M4X8BHS-AL-BG45	M4 x 8mm Black Pins (45pk)	1
	M4X8BHS-AL-BL45	M4 x 8mm Blue Pins (45pk)	
	M4X8BHS-AL-GL45	M4 x 8mm Gold Pins (45pk)	
	M4X8BHS-AL-GR45	M4 x 8mm Green Pins (45pk)	
	M4X8BHS-AL-OR45	M4 x 8mm Orange Pins (45pk)	
	M4X8BHS-AL-PL45	M4 x 8mm Purple Pins (45pk)	
	M4X8BHS-AL-RD45	M4 x 8mm Red Pins (45pk)	
	M4X8BHS-AL-RW45	M4 x 8mm Raw AL Pins (45pk)	
**	17124	Cycling Sticker Sheet	1
Optional Parts			
<i>1FP-SS-SVC-KIT</i>		<i>Flat Pedal Service Kit (Left & Right)</i>	

** Not shown on diagram.