



RACING ACCESSORY

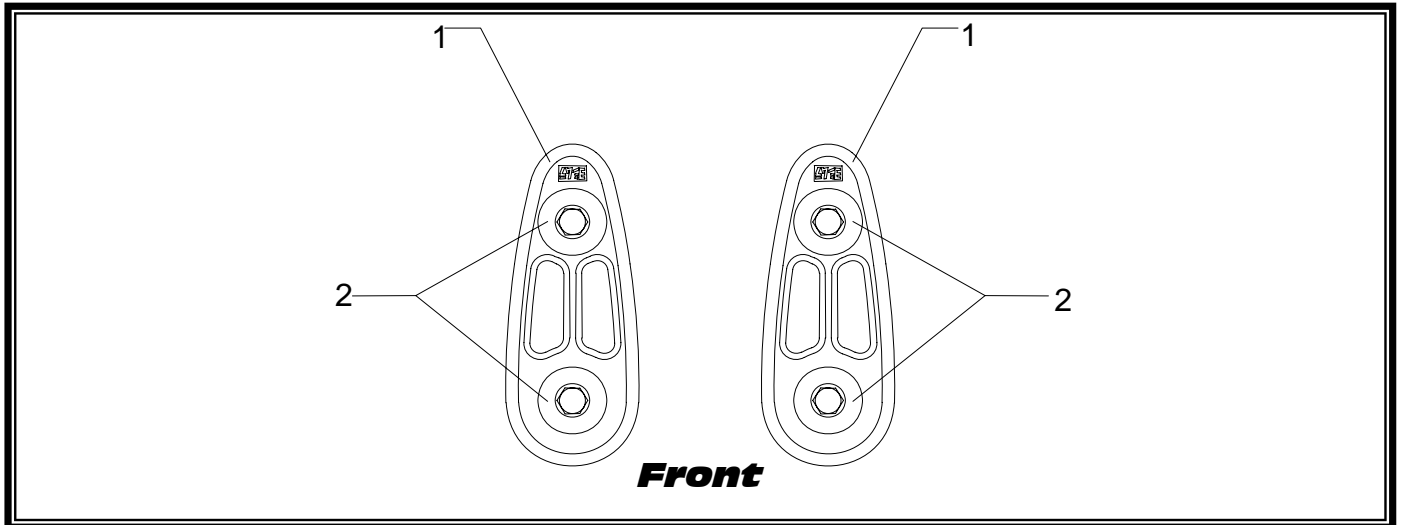
APPLICATION

YEAR	MODEL
2008-2012	Kawasaki Ninja 250R

PRODUCT

900BG140700	Black Mirror Block Off Plate
900CL140700	Clear Mirror Block Off Plate

! This product is not DOT approved. Yoshimura R&D of America, Inc. is not liable or responsible for any resulting event caused by the installation of this product. Check with local laws and regulations for compliance prior to installation and use. This product is not intended for use on public highways.



No.	Part #	Description	Qty
1	900BG140700H 900CL140700H	Yoshimura Mirror Block Off Plates, Black Yoshimura Mirror Block Off Plates, Clear	2
2	M6X25BHS	6mm x 25mm Button Head Screw	4
**	14070-CFMC	Carbon Fiber Plates	2
**	17020C	Yoshimura Sticker Sheet	2

-TOOLS REQUIRED-

Metric Socket Set Combination Wrench Set Torque Wrench
Metric Allen Wrench Set Screwdriver

-REMOVAL-

1. Remove left and right side fairing as per Factory Service Manual.
2. Remove upper fairing assembly as per Factory Service Manual.
3. While securely supporting the mirror, remove mirror nuts to remove mirror from upper fairing assembly.
4. Repeat removal step for opposite side.

-INSTALLATION-

1. Using the supplied bolts, install Yoshimura mirror block off plates using the stock nuts.
Note: The stock mirror dampers and mirror brackets will be reinstalled with the Yoshimura mirror block off plates.
2. Repeat step 1 for opposite side.
3. Re-install left, right, and upper fairing using the reverse steps of removal.
4. Check that all hardware is tight and secure prior to riding.