


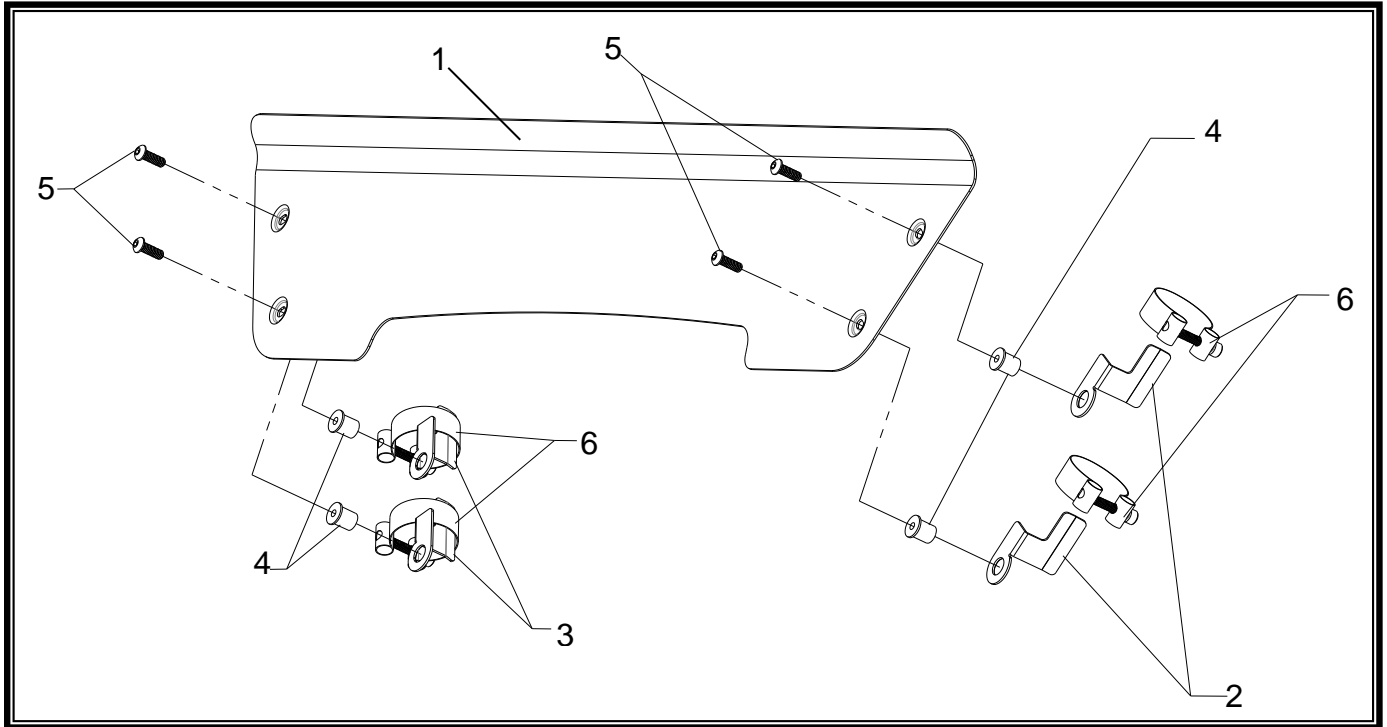


Performance Aluminum Windshield

APPLICATION

YEAR	MODEL
2012-2013	Arctic Cat Wildcat 1000
2013	Arctic Cat Wildcat X
2013	Arctic Cat Wildcat 4
PRODUCT	
906XX391000	Arctic Cat Wildcat 1000 Aluminum Windshield Kit

 This product is designed for use in closed course racing and is not intended for highway use. Read through all instructions before beginning installation.



No.	Part #	Description	Qty
1	39100-WS	Yoshimura Windshield	1
2	39100-WSBKT-L	Left Windshield Bracket	2
3	39100-WSBKT-R	Right Windshield Bracket	2
4	114-20RRNUT	Rubber Rivet Nut	4
5	114-20X0-314BHS	Button Head Cap Screw	4
6	27-59M	Barrel Band Clamp	4
**	NRB-24	Neoprene Rubber Strip	1
**	17020C	Yoshimura Sticker	2

-TOOLS REQUIRED-

Metric Socket Set • Combination Wrench Set • Metric Allen Wrench Set

-INSTALLATION-

- 1. Remove and left and right fenders as per Factory Service Manual.***
- 2. Loosely install provided barrel band clamps around stock roll cage. See diagram for orientation.***
- 3. Place bracket on roll cage and slide clamps over and tighten to secure.***
- 4. Install rubber rivet nut in mounting bracket.***
- 5. Loosely install bracket and clamp on opposite side following previous steps.***
- 6. Install neoprene rubber strip onto the bottom of the windshield. The use of adhesive may be desired when applying the rubber neoprene strip onto the windshield to prevent the neoprene rubber strip from coming off in harsh environments.***
- 7. Align windshield mounting holes to bracket and loosely thread provided button head screws.***
- 8. Locate desired position and tighten screws until snug and the rubber rivet nut mushrooms onto the back side of the bracket.***
- 9. Adjust and tighten clamps onto roll cage.***
- 10. Before operating vehicle, check that all hardware is tight and secure prior to riding.***