



YOSHIMURA

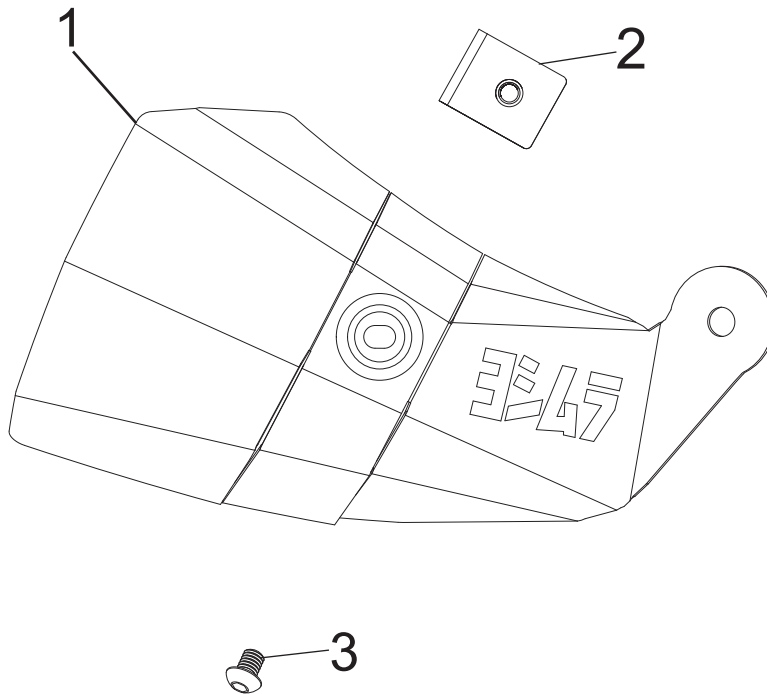
RESEARCH&DEVELOPMENT OF AMERICA, INC.

5420 DANIELS STREET STE A, CHINO CA., 91710 · (800) 634-9166 · (909) 628-4722 · FAX (909) 591-2198

www.yoshimura-rd.com

Heat Shield

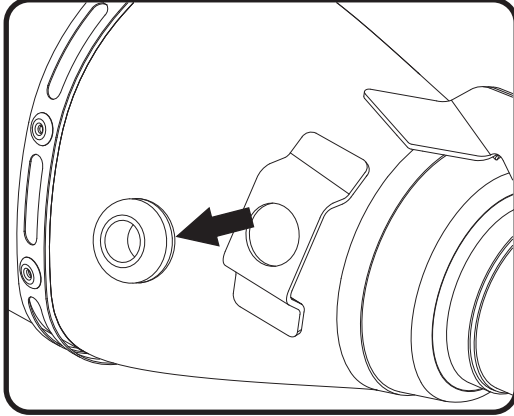
YZ250F/450F 990BG234830



No.	Item	Description	Qty.
1	23483-HS	YZ250/450 Heat Shield	1
2	23483-CLIPNUT	Clip Nut	1
3	M6X10BHS	6mm x 10mm Button Head Screw	1

Removal

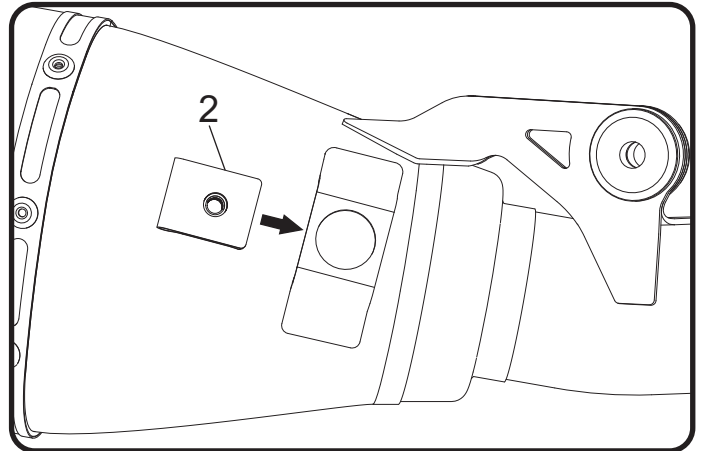
1. Using the Owners/ Service Manual remove the right number plate and uninstall the side panel bracket from the number plate.
2. Remove Z1022, round rubber grommet from the muffler side panel bracket.



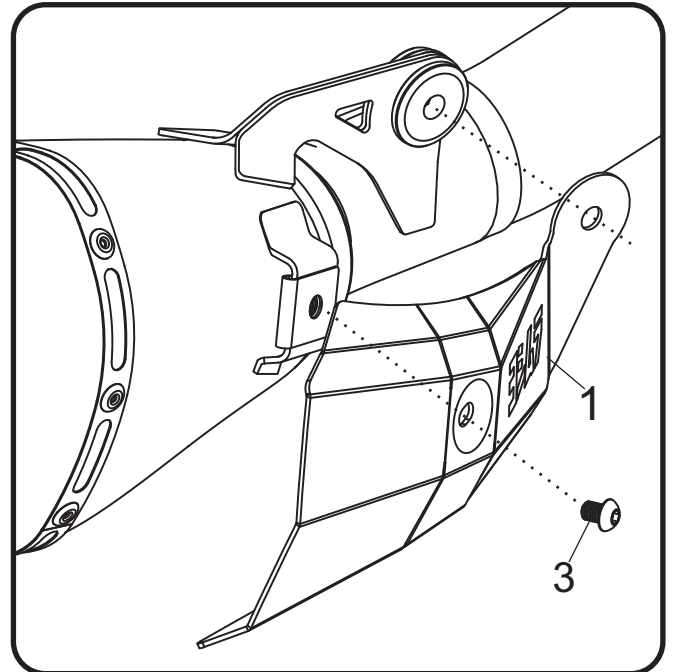
3. Unscrew the stock bolt from the muffler chassis mount bracket.

Installation

1. Slide (No.2) 23483-CLIPNUT, onto the muffler side panel bracket



2. Align (No.1) 23483-HS, heat shield with the muffler chassis mount bracket and the muffler side panel bracket. Secure using (No.3) M6X10BHS, 6mm x 10mm button head screw and the stock muffler chassis mount bracket bolt.



3. Torque the stock muffler chassis mount bracket bolt to factory specs.