



YOSHIMURA

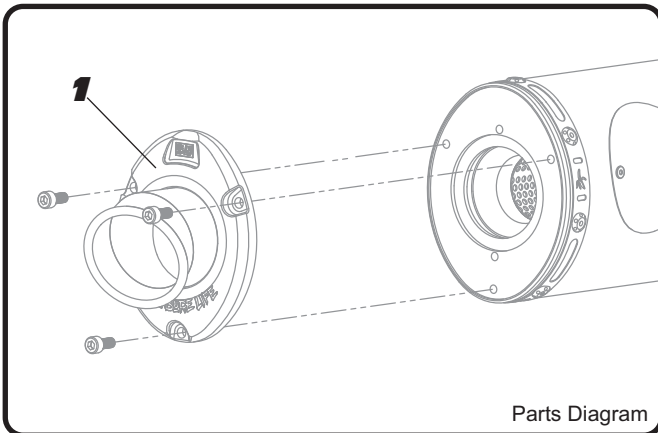
RESEARCH&DEVELOPMENT OF AMERICA, INC.

5420 DANIELS STREET SUITE A, CHINO, CA 91710 · (800) 634-9166 · (909) 628-4722 · FAX (909) 591-2198

www.yoshimura-rd.com

990PL121300

HONDA MONKEY POLISHED ENDCAP KIT



Parts Diagram

NO.	DESCRIPTION	QTY	PART #
1	POLISHED MONKEY ENDCAP TIP ASSEMBLY	1	12130-ECTIP-POL

1. Remove the three endcap bolts and remove endcap assembly.
2. Install new endcap assembly and re-install endcap bolts.

NOTE: It is recommended that a low strength "Loc-tite" is used on the endcap bolts.



YOSHIMURA

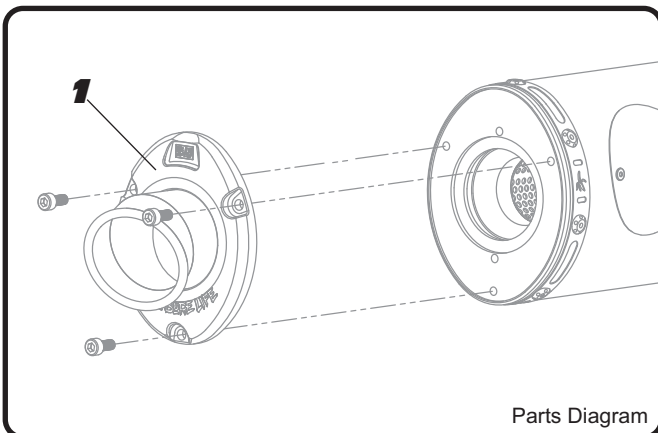
RESEARCH&DEVELOPMENT OF AMERICA, INC.

5420 DANIELS STREET SUITE A, CHINO, CA 91710 · (800) 634-9166 · (909) 628-4722 · FAX (909) 591-2198

www.yoshimura-rd.com

990PL121300

HONDA MONKEY POLISHED ENDCAP KIT



Parts Diagram

NO.	DESCRIPTION	QTY	PART #
1	POLISHED MONKEY ENDCAP TIP ASSEMBLY	1	12130-ECTIP-POL

1. Remove the three endcap bolts and remove endcap assembly.
2. Install new endcap assembly and re-install endcap bolts.

NOTE: It is recommended that a low strength "Loc-tite" is used on the endcap bolts.