

YOSHIMURA CYCLING

5420 DANIELS STREET STE A, CHINO CA., 91710 · (800) 634-9166 · (909) 628-4722 · FAX (909) 591-2198

www.yoshimuracycling.com

READ THIS MANUAL BEFORE INSTALLING STEM KIT

WARNINGS TO USERS & PARENTS / GUARDIANS

- Proper installation and use of this stem in accordance with the manual are essential for the safety of all users.
- Parents/Guardians must ensure that the correct procedures for installation and use of this product are followed and understood by the minor.
- Misuse or failure to follow the specified installation instructions and heed warnings may result in injury or death.

WARNING

- Always wear a helmet and follow trail etiquette when riding.

WARRANTY


- All Yoshimura stem kits carry a one-year limited warranty against defect in workmanship and/or materials and is only provided to the original purchaser. Original receipt or invoice will be required for processing.
- Damages caused by abuse, misuse, lack of service, improper installation and/or modifications are not covered under this warranty and are specifically disclaimed.
- For more warranty information, please visit www.yoshimuracycling.com.

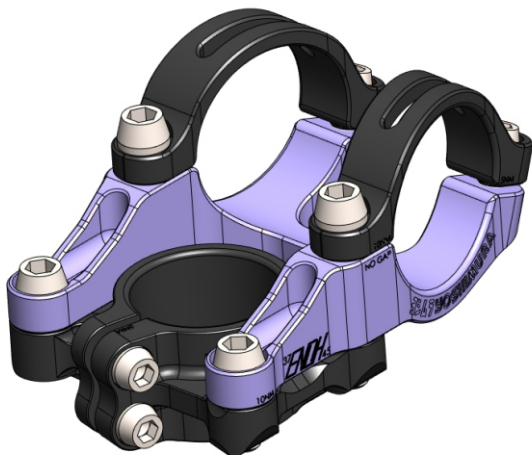
ENDH Stem Kit

Part #	Description
ENDH35-37-PW	37mm Stem Kit, Pewter
ENDH35-42-PW	42mm Stem Kit, Pewter
ENDH35-47-PW	47mm Stem Kit, Pewter
ENDH35-37-YK	37mm Stem Kit, Yoshikote
ENDH35-42-YK	42mm Stem Kit, Yoshikote
ENDH35-47-YK	47mm Stem Kit, Yoshikote

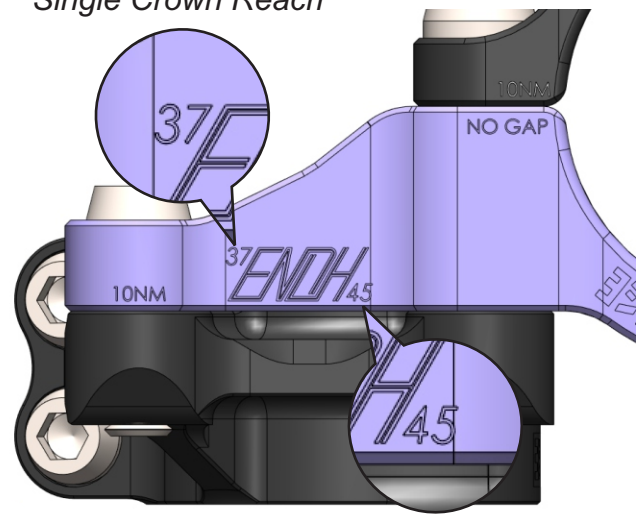
CARE & MAINTENANCE

- In the event of a crash inspect for wear, damage, or loose components.
- Periodically clean dirt & debris off stem.
- Contact Yoshimura Cycling Department at (800) 634-9166 / in CA (909) 628-4722, yoshicycling@yoshimura-rd.com, or visit www.yoshimuracycling.com.

 Stem kit is pre-assembled out of the box with all bolts hand-tight. Remove all bolts and apply grease to threads when installing.



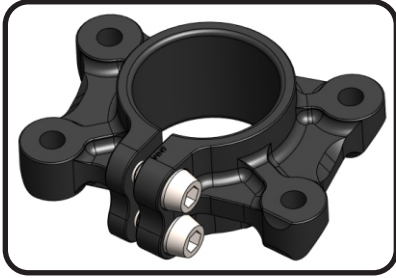
Single Crown Reach



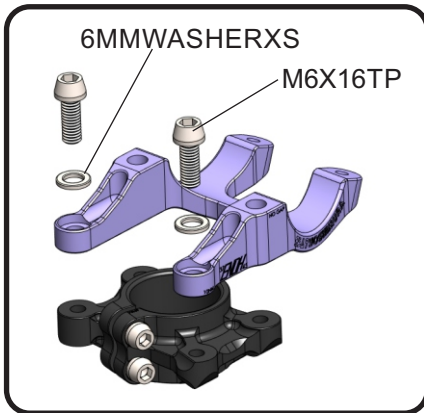
DH Direct Mount Reach

Installation

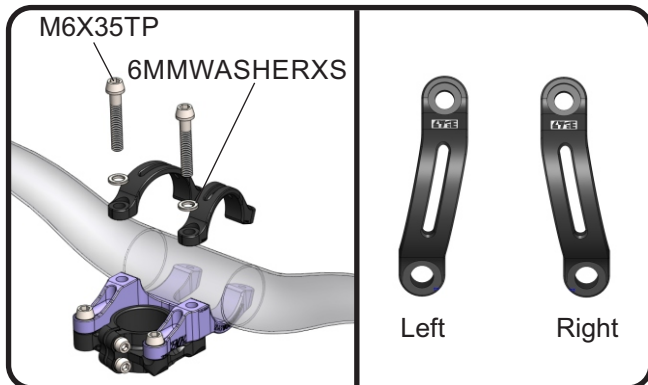
1. Clean steer tube and handlebar.
2. Set desired stem height using spacers and install Yoshimura stem base on steer tube. Do not torque pinch bolts at this time.



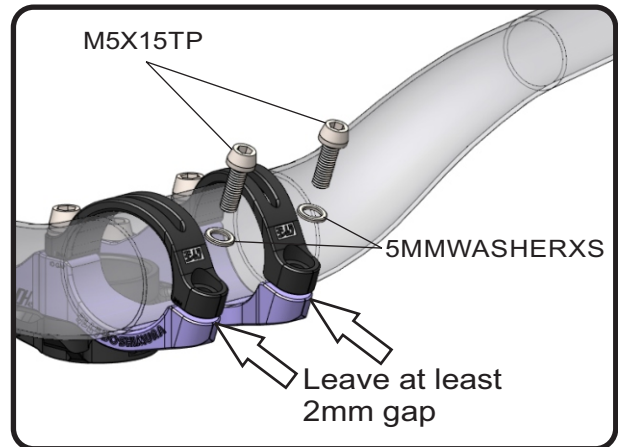
3. Place bicycle on ground and ensure fork, spacers, and stem base are fully seated and re-install top cap and bolt. Do not over-tighten top cap bolt.
4. Grease 6mm x 16mm bolts and using 6mm washers install clamp base to stem base. Do not torque at this time.



5. Grease 6mm x 35mm bolts and using 6mm washers install handlebar and upper clamps. Do not torque at this time.

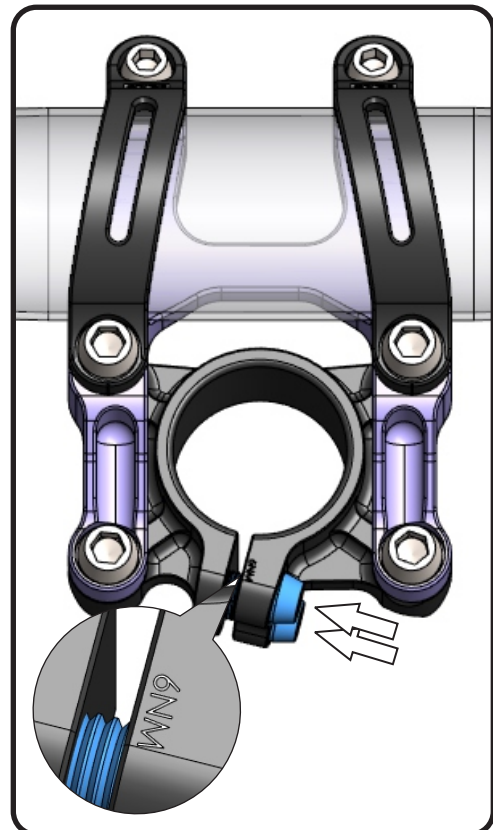


6. Grease 5mm x 15mm bolts and using 5mm washers hand tight forward clamp bolts to desired handlebar alignment. Do not torque at this time. Leave minimum 2mm gap as shown.



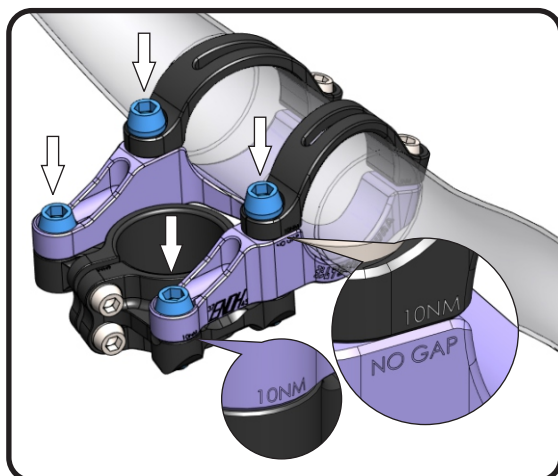
7. Align handlebar with front fork and set desired headset adjustment. Torque stem base pinch bolts evenly to 6 Nm.

Note: Do not torque one pinch bolt to spec and proceed to torque the other as it may cause distortion and lead to stripping the threads. Must torque both pinch bolts evenly.

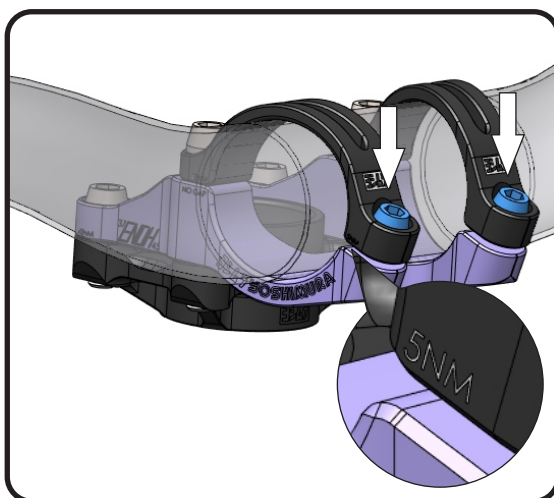


- Torque the four clamp base bolts to 10 Nm.

Note: There should be no gaps between clamp base and upper clamp as shown.



- Torque the two forward clamp bolts to 5 Nm.



- Check to make sure all components are secure prior to riding.