



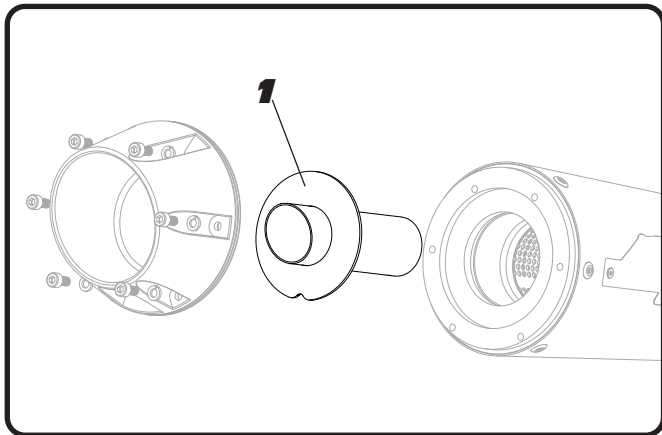
YOSHIMURA

RESEARCH&DEVELOPMENT OF AMERICA, INC.

5420 DANIELS STREET SUITE A, CHINO, CA 91710 · (800) 634-9166 · (909) 628-4722 · FAX (909) 591-2198

www.yoshimura-rd.com

INS-29-K R34 Sound Insert Kit, 1.500"



NO.	DESCRIPTION	QTY	PART #
1	R34 Sound Insert, 1.500"	1	YM4-INS-1500

1. Remove the six endcap bolts
2. Remove endcap and install insert into muffler.
3. Re-install endcap and endcap bolts.

NOTE: It is recommended that a low strength "Loc-tite" is used on the endcap bolts.



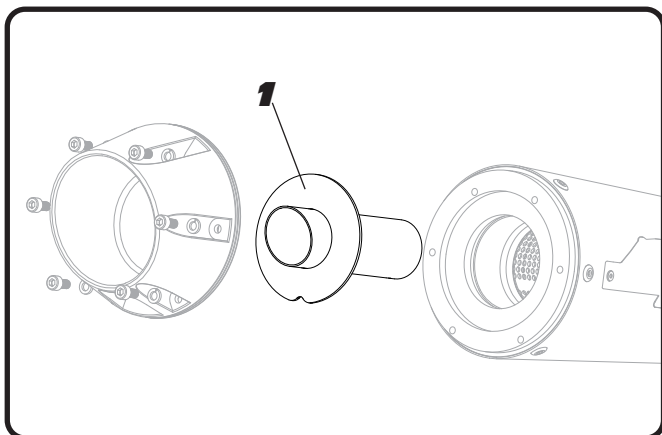
YOSHIMURA

RESEARCH&DEVELOPMENT OF AMERICA, INC.

5420 DANIELS STREET SUITE A, CHINO, CA 91710 · (800) 634-9166 · (909) 628-4722 · FAX (909) 591-2198

www.yoshimura-rd.com

INS-29-K R34 Sound Insert Kit, 1.500"



NO.	DESCRIPTION	QTY	PART #
1	R34 Sound Insert, 1.500"	1	YM4-INS-1500

1. Remove the six endcap bolts
2. Remove endcap and install insert into muffler.
3. Re-install endcap and endcap bolts.

NOTE: It is recommended that a low strength "Loc-tite" is used on the endcap bolts.