



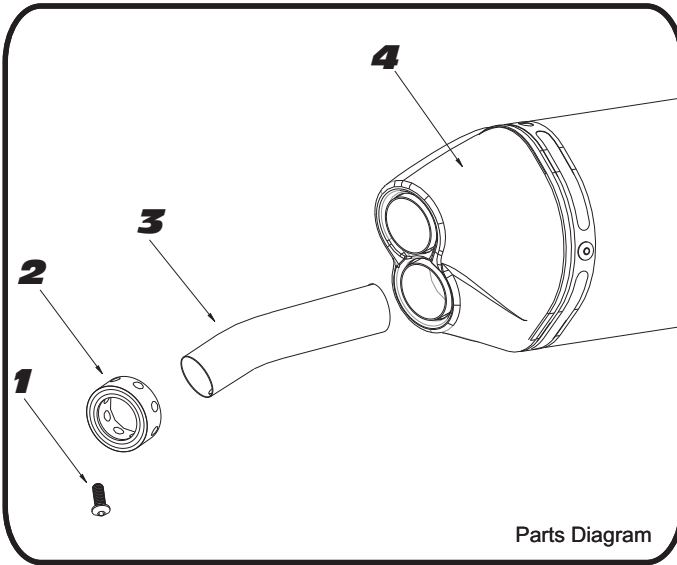
# YOSHIMURA

RESEARCH&DEVELOPMENT OF AMERICA, INC.

5420 DANIELS STREET SUITE A, CHINO, CA 91710 · (800)634-9166 · (909)628-4722 · FACSIMILE (909)591-2198

[www.yoshimura-rd.com](http://www.yoshimura-rd.com)

**INS-BB-K | YOSHIMURA RS4D LOW VOLUME INSERT KIT**



Parts Diagram

NO.	DESCRIPTION	QTY	PART #
1	5mm x 8mm Screw	1	M5x8
2	RS4D Bottom Ring 1.25"	1	RS4D-RING-1250
3	RS4D Bottom Low Volume Insert	1	INS-BB
4	Yoshimura Exhaust	**	**

- 1 Remove muffler from tailpipe.
- 2 Insert the front insert into the tailpipe.
- 3 Reinstall the muffler.
- 4 Insert the rear insert into the end of the muffler and secure using the small allen head bolt.

**NOTE:** It is recommended that a low strength "Loc-tite" is used on the small allen head bolt.



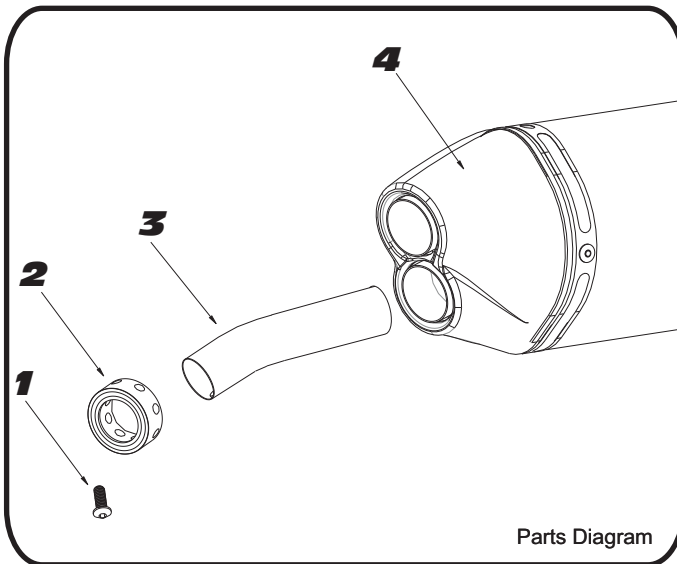
# YOSHIMURA

RESEARCH&DEVELOPMENT OF AMERICA, INC.

5420 DANIELS STREET SUITE A, CHINO, CA 91710 · (800)634-9166 · (909)628-4722 · FACSIMILE (909)591-2198

[www.yoshimura-rd.com](http://www.yoshimura-rd.com)

**INS-BB-K | YOSHIMURA RS4D LOW VOLUME INSERT KIT**



Parts Diagram

NO.	DESCRIPTION	QTY	PART #
1	5mm x 8mm Screw	1	M5x8
2	RS4D Bottom Ring 1.25"	1	RS4D-RING-1250
3	RS4D Bottom Low Volume Insert	1	INS-BB
4	Yoshimura Exhaust	**	**

- 1 Remove muffler from tailpipe.
- 2 Insert the front insert into the tailpipe.
- 3 Reinstall the muffler.
- 4 Insert the rear insert into the end of the muffler and secure using the small allen head bolt.

**NOTE:** It is recommended that a low strength "Loc-tite" is used on the small allen head bolt.