



# YOSHIMURA

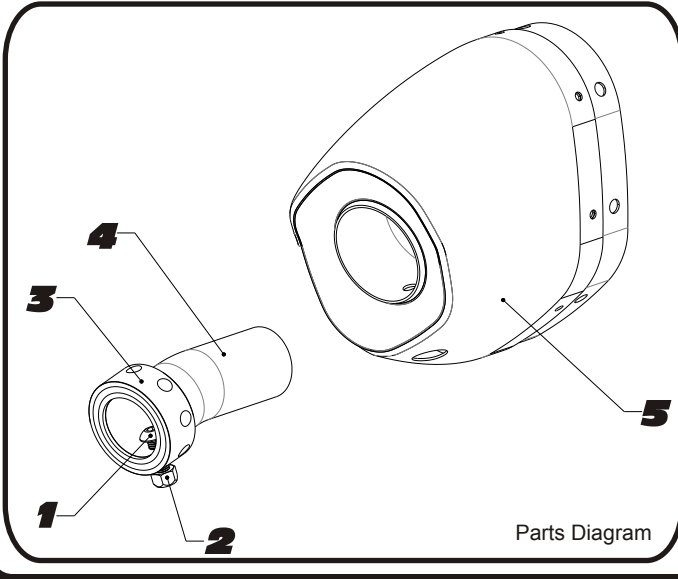
RESEARCH&DEVELOPMENT OF AMERICA, INC.

5420 DANIELS STREET SUITE A, CHINO, CA 91710 · (800)634-9166 · (909)628-4722 · FACSIMILE (909)591-2198

[www.yoshimura-rd.com](http://www.yoshimura-rd.com)

**INS-RS9A-K**

**YOSHIMURA RS9 SOUND INSERT KIT**



NO.	DESCRIPTION	QTY	PART #
1	5mm X 14mm Button Head Cap Screw	1	M5X14BHS
2	5mm Lock Nut	1	5MMLN-U
3	RS9 Insert Ring 1.000"	1	RS9-RING-1000
4	RS9 Low Volume Insert 1.000"	1	INS-RS9-A
5	Yoshimura Exhaust	**	**

- Using a 3mm Allen key, remove the bolt that secures the aluminum ring and sound insert to the muffler (see Parts Diagram for location).
- Install sound insert and aluminum ring. Torque the sound insert securing bolt to 1.0 kg-m (7.3 lb-ft).

**NOTE:** It is recommended that a low strength "Loc-tite" is used on the sound insert securing bolt.



# YOSHIMURA

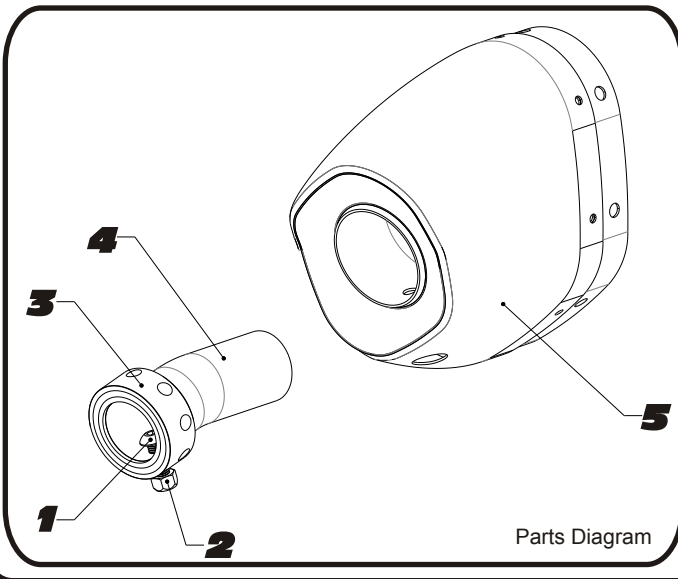
RESEARCH&DEVELOPMENT OF AMERICA, INC.

5420 DANIELS STREET SUITE A, CHINO, CA 91710 · (800)634-9166 · (909)628-4722 · FACSIMILE (909)591-2198

[www.yoshimura-rd.com](http://www.yoshimura-rd.com)

**INS-RS9A-K**

**YOSHIMURA RS9 SOUND INSERT KIT**



NO.	DESCRIPTION	QTY	PART #
1	5mm X 14mm Button Head Cap Screw	1	M5X14BHS
2	5mm Lock Nut	1	5MMLN-U
3	RS9 Insert Ring 1.000"	1	RS9-RING-1000
4	RS9 Low Volume Insert 1.000"	1	INS-RS9-A
5	Yoshimura Exhaust	**	**

- Using a 3mm Allen key, remove the bolt that secures the aluminum ring and sound insert to the muffler (see Parts Diagram for location).
- Install sound insert and aluminum ring. Torque the sound insert securing bolt to 1.0 kg-m (7.3 lb-ft).

**NOTE:** It is recommended that a low strength "Loc-tite" is used on the sound insert securing bolt.